

ITEM 095286 RGBF02B12-514-MC2085

Description	Technical data	Accessories	Downloads
-------------	----------------	-------------	-----------



Features

- › plunger spacing 12 mm
- › Upright housing according to DIN 43697
- › Degree of protection IP67 according to IEC 60529
- › LED function display optional

Switching element

ES 514 Snap-action switching contact 1 NC \ominus + 1 NO

On the usage of safety switching elements, the dog distance (4.0.5) must be maintained to achieve the positively driven travel. The dogs must be positively mounted according to EN ISO 14119, i.e. riveted, welded or secured in some other way against becoming loose.

LED function display

Function displays are available for the following voltage ranges (see accessories)

LE024ge 24 V DC (for ES 514)

LE060 12 ... 60 V AC/DC

LE110 110 V AC $\pm 15\%$

LE220 220 V AC $\pm 15\%$

Approvals



Mechanical values and environment

Contact bounce time	≤ 3ms
Contact closing time	≤ 5ms
Design	Upright, according to DIN 43697
Housing material	Die-cast aluminum, anodized
Weight	
Net	0,85 kg
Ambient temperature	-5 ... 80 °C
Degree of protection	IP67
Mechanical life	1 x 10 ⁶
Contact material	Silver alloy, gold flashed
Switching principle	Snap-action switching contact
Plunger spacing	12 mm
Installation position	Any
Number of switching elements	2
Number of positively driven contacts	2
Number of NO contacts	2
Connection	4 x M25 x 1.5
Approach speed	0,01 ... 120 m/min
Actuating element	Roller plunger ^[1]
Roller diameter	8 mm
Actuating force	min.25 N

Electrical connection ratings

Rated thermal current I _{th}	10 A
Utilization category according to EN 60947-5-1	
AC-15	2.5A 230V
DC-13	6A 24V
Short circuit protection according to IEC 60269-1	
(Fuse)	6A gG
Rated insulation voltage U _i	250 V
Rated impulse withstand voltage U _{imp}	4 kV
Switching current	
Min. at DC 24V	min.5 mA
Connection cross-section	0,34 ... 1,5 mm ²

Display module	DC 21,6 ... 24 V 26,4 V LED yellow
----------------	------------------------------------

Miscellaneous

C number	C2085 [2]
----------	-----------

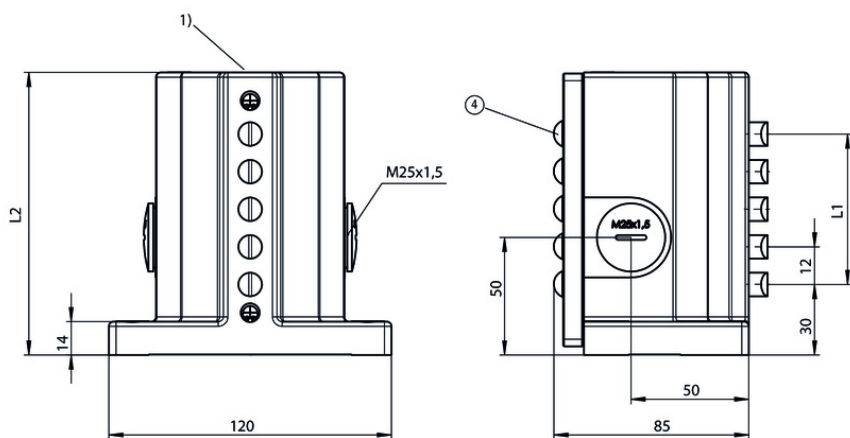
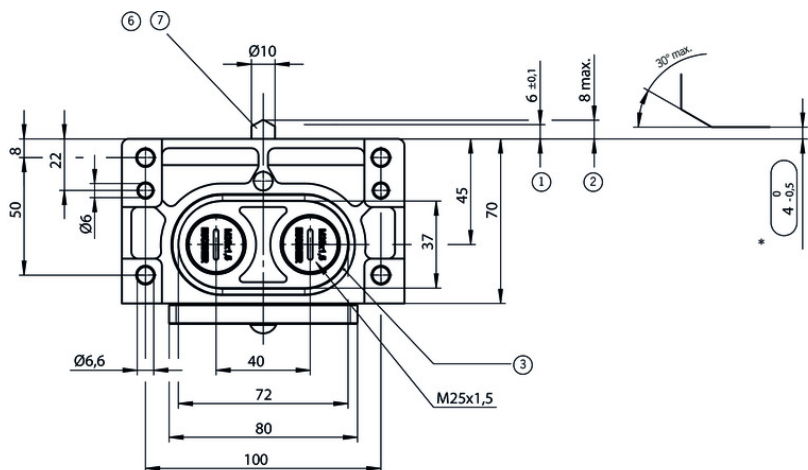
Reliability values acc. to EN ISO 13849-1

B10 _D	2×10^6
------------------	-----------------

[1] Ball bearing

[2] LED 24 V yellow integrated into the cover.

Dimension drawing



8	140	72
6	120	60
4	90	36
2	70	12
n	L2	L1
Anzahl der Stationen		
⑤		

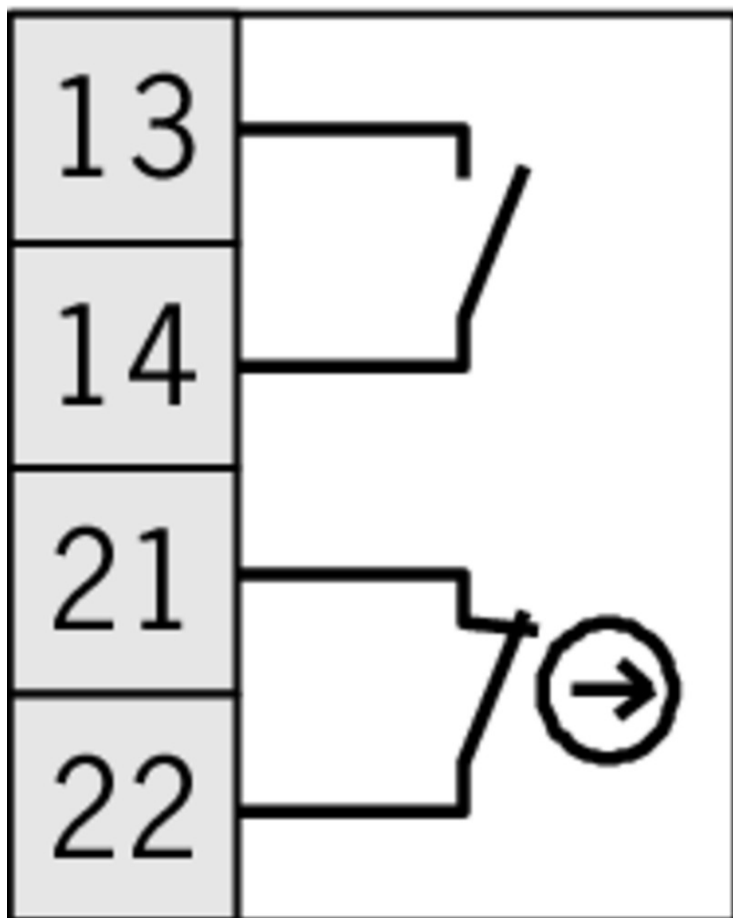
Legende

- 1 Operating point
- 2 Free position
- 3 Groove with sealing ring
- 4 LE024GE
- 5 Number of plungers
- 6 Switch can be replaced only with the same type.
- 7 Ball bearing

Safety switching element ES 514 positive opening. Positive opening function is dependent on maintaining this distance. Actuators (dogs) must be connected to the machine in a flush position.

1) Pressure sensitive label 041734 applied.

ES 514



Instructions

Betriebsanleitung Präzisions-Reihengrenztaster RG, GS, GL 12/16 mm

	Doc. no.	Version	Language	Download
Betriebsanleitung Präzisions-Reihengrenztaster RG, GS, GL 12/16 mm	032307	07-07/16		1.4 MB
Mode d'emploi Boîtiers multipistes de précision RG, GS, GL 12/16 mm				
Istruzioni di impiego Finecorsa multipli di precisione RG, GS, GL12/16 mm				
Operating Instructions Precision Multiple Limit Switches RG, GS, GL12/16 mm				

Declaration of conformity

EU prohlášení o shodě

EU-Konformitätserklärung	2077153	25-02/17		 0.3 MB
Declaración UE de conformidad				
Déclaration UE de conformité				
Dichiarazione di conformità				
EU declaration of conformity				
EU prohlášení o shodě	2077153	25-02/17		 0.5 MB
EU-overensstemmelseserklæring				
Δήλωση συμμόρφωσης της ΕΕ				
EU-vaatimustenmukaisuusvakuutus				
EU-típusbizonyítvány				
EU-conformiteitsverklaring				
Deklaracja zgodności UE				
Declaração de Conformidade UE				
Declarația de conformitate UE				
EÚ vyhlásenie o zhode				