

## ITEM 097140 RGBF06D12-514LE024GE-M

Description	Technical data	Accessories	Downloads
-------------	----------------	-------------	-----------



### Features

- › plunger spacing 12 mm
- › Upright housing according to DIN 43697
- › Degree of protection IP67 according to IEC 60529
- › LED function display

### Switching element

**ES 514** Snap-action switching contact 1 NC $\rightarrow$  + 1 NO

On the usage of safety switching elements, the dog distance (4.0.5) must be maintained to achieve the positively driven travel. The dogs must be positively mounted according to EN ISO 14119, i.e. riveted, welded or secured in some other way against becoming loose.

### LED function display

Function displays are available for the following voltage ranges (see accessories)

**LE024ge** 24 V DC (for ES 514)

## Approvals



## Mechanical values and environment

Design	Upright, according to DIN 43697
Housing material	Die-cast aluminum, anodized
Weight	
Net	1,3 kg
Ambient temperature	-5 ... 80 °C
Degree of protection	IP67
Mechanical life	1 x 10 <sup>6</sup> [1]
Contact material	Silver alloy, gold flashed
Switching principle	Snap-action switching contact [2]
Plunger spacing	12 mm
Installation position	Any
Number of switching elements	6
Number of positively driven contacts	6
Number of NO contacts	6
Connection	
	4 x M25 x 1.5
Approach speed	
max.	0,01 ... 40 m/min
Actuating element	Chisel plunger
Actuating force	min.30 N

## Electrical connection ratings

Rated thermal current I <sub>th</sub>	10 A
Utilization category according to EN 60947-5-1	
AC-15	2.5A 230V
DC-13	6A 24V
Short circuit protection according to IEC 60269-1	
(Fuse)	6A gG
Rated insulation voltage U <sub>i</sub>	250 V
Rated impulse withstand voltage U <sub>imp</sub>	4 kV
Switching current	
Min. at DC 24V	min.5 mA
Connection cross-section	0,34 ... 1,5 mm <sup>2</sup>
Display module	
DC	21,6 ... 24 V 26,4 V LED yellow [3]

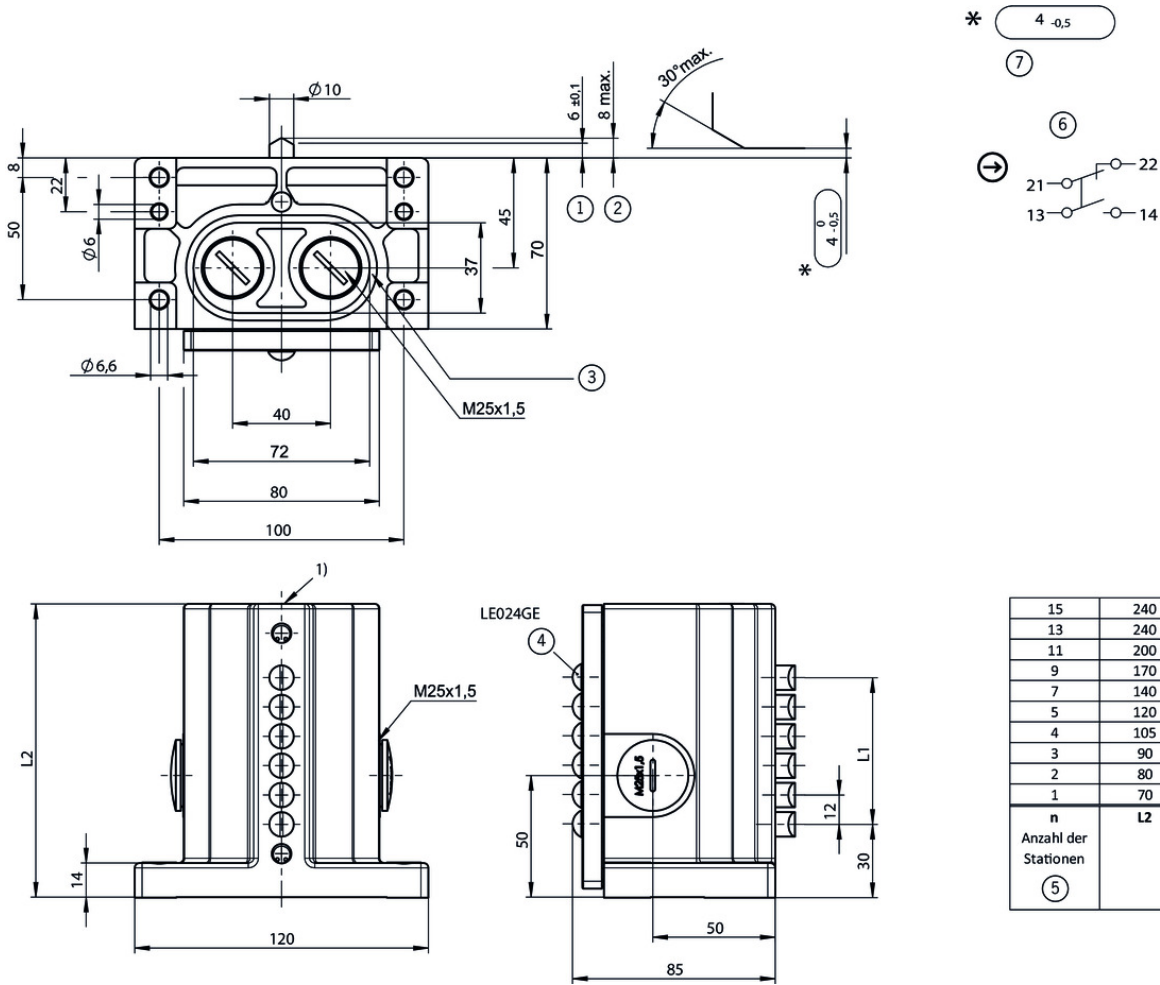
## Reliability values acc. to EN ISO 13849-1

**[1]** Mechanical life of switching element ES514.

**[2]** Contact closing time  $\leq 5$ , contact bounce time  $\leq 3$  ms

**[3]** LED operating voltage DC  $24V \pm 10\%$ . On the connection side 0V as well as one connection per LED are prepared for screw terminals.

## Dimension drawing

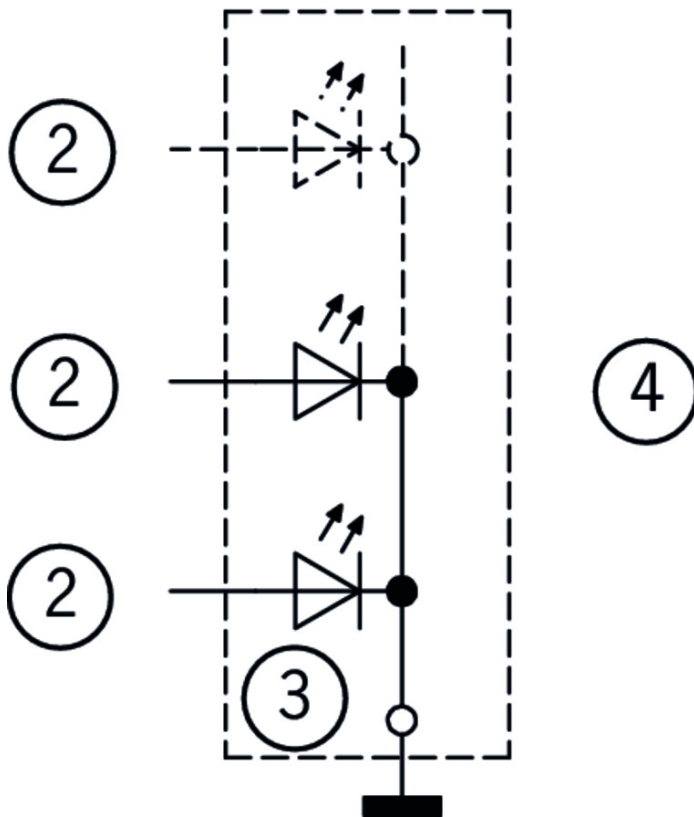


## Legende

- 1 Operating point
- 2 Free position
- 3 Groove for sealing ring
- 4 LED indicator LE024GE
- 5 Number of stations
- 6 Switching element ES514 with snap-action function 1 NO contact and 1 positively driven NC contact with double gap and electrically isolated switching bridge.  
Safety switching element ES 514 positive opening. Positive opening function is dependent on maintaining this distance. Actuators (dogs) must be connected to the machine in a flush position.
- \* Switch can be replaced only with the same type.
- 1) Pressure sensitive label 041734 applied.

## Dimension drawing

### ① LE024GE:

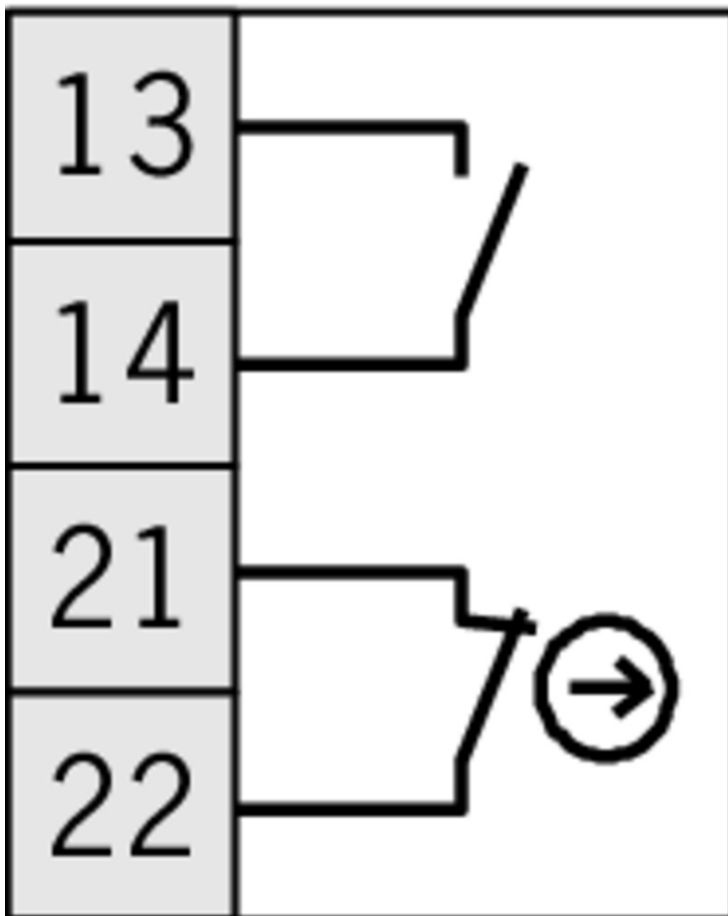


### Legende

- 1 LE024GE: LED operating voltage DC 24 V±10%. On the connection side 0 V as well as one connection per LED are prepared for screw terminals.
- 2 Anode (red)
- 3 Cathode
- 4 LED printed circuit board

## Switching element

# ES 514



## Instructions

- Betriebsanleitung Präzisions-Reihengrenztaster RG, GS, GL 12/16 mm

	Doc. no.	Version	Language	Download
Betriebsanleitung Präzisions-Reihengrenztaster RG, GS, GL 12/16 mm	032307	07-07/16		1.4 MB
Mode d'emploi Boîtiers multipistes de précision RG, GS, GL 12/16 mm				
Istruzioni di impiego Finecorsa multipli di precisione RG, GS, GL12/16 mm				
Operating Instructions Precision Multiple Limit Switches RG, GS, GL12/16 mm				

## Declaration of conformity

- EU prohlášení o shodě

Doc. no.    Version    Language    Download

EU-Konformitätserklärung	2077153	25-02/17		 0.3 MB
Declaración UE de conformidad				
Déclaration UE de conformité				
Dichiarazione di conformità				
EU declaration of conformity				
EU prohlášení o shodě	2077153	25-02/17		 0.5 MB
EU-overensstemmelseserklæring				
Δήλωση συμμόρφωσης της ΕΕ				
EU-vaatimustenmukaisuusvakuutus				
EU-típusbizonyítvány				
EU-conformiteitsverklaring				
Deklaracja zgodności UE				
Declaração de Conformidade UE				
Declarația de conformitate UE				
EÚ vyhlásenie o zhode				

### CAD data

CAD data for this item on TraceParts