

ITEM 099904 RGBF06D12-502AMLE024GE-MC2177

Description	Technical data	Accessories	Downloads
-------------	----------------	-------------	-----------



Features

- › With exterior diaphragm
- › Plunger spacing 12 or 16 mm
- › Upright housing according to DIN 43697
- › Degree of protection IP67 according to IEC 60529

Exterior diaphragm

The exterior diaphragm protects the plunger guide against the entry of very fine dust (dust from grinding, casting, glass, etc.) and prevents the plunger seizing. At the same time, plunger sticking, caused by resinous lubricating coolants, can be prevented with this exterior diaphragm version.

Switching elements

- ES 502 E** Snap-action switching contact 1 NC + 1 NO
ES 514 Snap-action switching contact 1 NC \rightarrow + 1 NO (on request)

LED function display

LED function display possible on request.

Approvals



Mechanical values and environment

Contact bounce time	< 3ms
Contact closing time	< 4ms
Design	Upright, according to DIN 43697
Housing material	Die-cast aluminum, anodized
Weight	
Net	1,3 kg
Ambient temperature	-5 ... 70 °C
Degree of protection	IP65 [1]
Mechanical life	30 x 10 ⁶
Contact material	Silver alloy, gold flashed
Switching principle	Snap-action switching contact
Plunger spacing	12 mm
Installation position	Any
Number of switching elements	6
Number of NC contacts	6
Number of NO contacts	6
Connection	1 x plug connector RC18 [2]
Approach speed	0,01 ... 20 m/min
Actuating element	Chisel plunger
Actuating force	min.20 N
Operating point accuracy	± 0.002 [3]

Electrical connection ratings

Rated thermal current I _{th}	4 A
Utilization category according to EN 60947-5-1	
AC-15	5A 24V
DC-13	5A 24V
Short circuit protection according to IEC 60269-1	
(Fuse)	4A gG
Rated insulation voltage U _i	60 V
Rated impulse withstand voltage U _{imp}	2 kV
Switching current	
Min. at DC 12V	min.10 mA
Display module	
DC	21,6 ... 24 V 26,4 V LED yellow

Miscellaneous

C number	C2177	[4]
Additional information	Exterior diaphragm = AM [5]	

[1] Only screwed tight with the related mating connector.

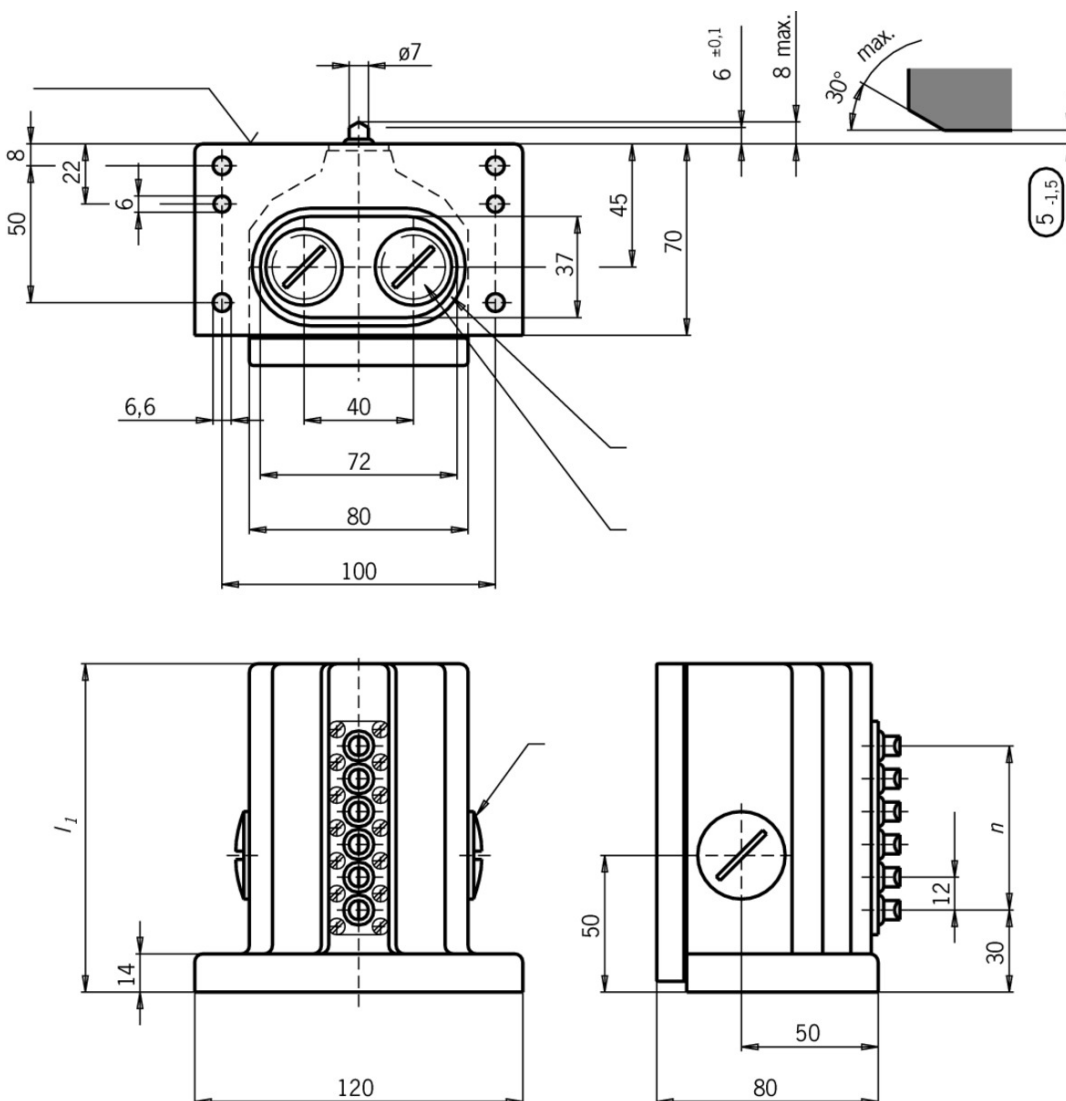
[2] Conivers RC18, 19-pin (18+PE). Not adjustable. Cable outlet for angle plug connector to rear.

[3] The reproducible switching point accuracy refers to the axial travel of the plunger after the switching element ES 502 E has been run-in with approx. 2000 operating cycles.

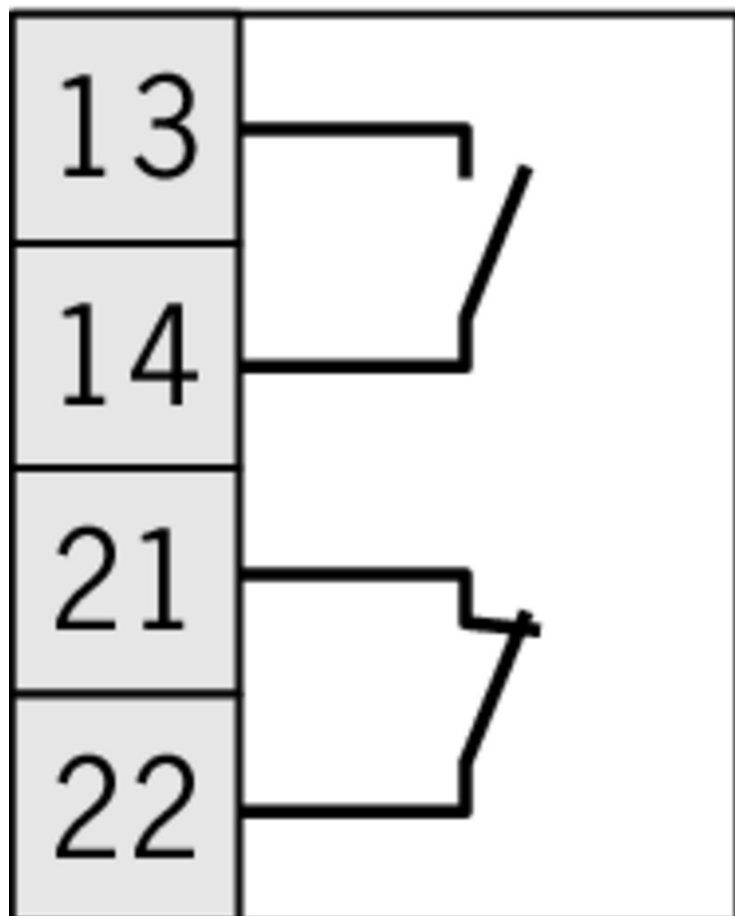
[4] With Conivers plug connector (19-pin) mounted on right + special wiring

[5] The exterior diaphragm provides additional protection to the plunger guide. Plunger sticking, primarily caused by resinous lubricating coolants, can be prevented by this exterior diaphragm version.

Dimension drawing

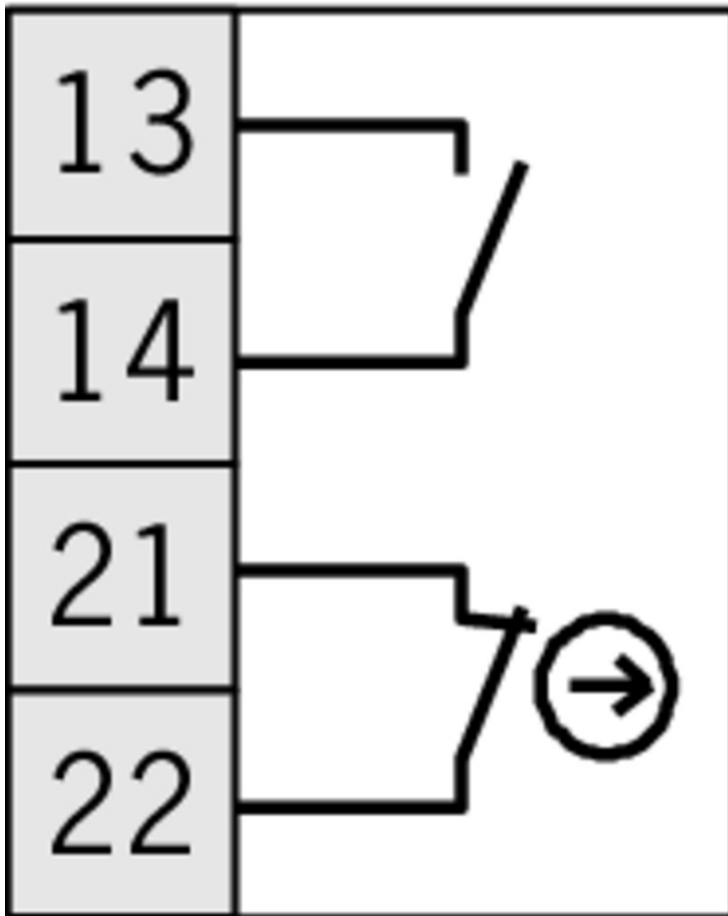


ES 502 E



(on request)

ES 514



Instructions

✓ Betriebsanleitung Präzisions-Reihengrenztaster RG, GS, GL 12/16 mm

	Doc. no.	Version	Language	Download
Betriebsanleitung Präzisions-Reihengrenztaster RG, GS, GL 12/16 mm	032307	07-07/16		1.4 MB
Mode d'emploi Boîtiers multipistes de précision RG, GS, GL 12/16 mm				
Istruzioni di impiego Finecorsa multipli di precisione RG, GS, GL12/16 mm				
Operating Instructions Precision Multiple Limit Switches RG, GS, GL12/16 mm				