

ITEM 079926 NG1HB-510-M

| Description | Technical data | Accessories | Downloads |
|-------------|----------------|-------------|-----------|
|-------------|----------------|-------------|-----------|



Features

- › Roller lever arm HB (plastic roller)
- › Cable entry M20 x 1.5

Switching element

510 Snap-action switching contact 1 NC + 1 NO

Adjustment options

Horizontal and vertical 4 x 90°

Switching direction

Switches to the right, left or both sides

Approvals

Mechanical values and environment

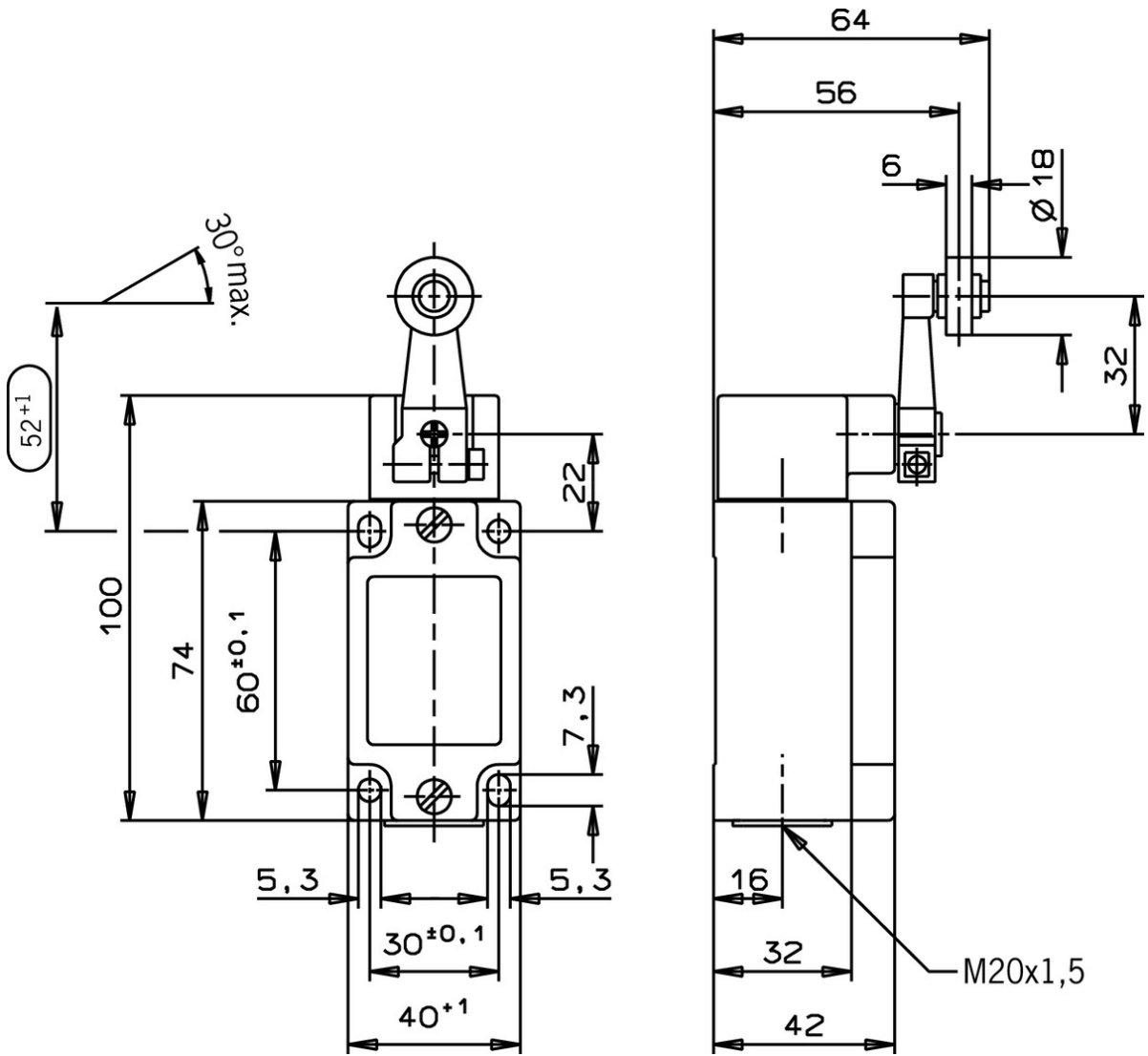
| | |
|-------------------------------------|---|
| Housing material | Anodized die-cast alloy |
| Weight | Net 0,3 kg |
| Ambient temperature | -25 ... 80 °C |
| Degree of protection | IP67 |
| Mechanical life | 30 x 10 ⁶ |
| Contact material | Silver alloy, gold flashed |
| Switching principle | Snap-action switching contact |
| Installation position | Any |
| Number of door position NC contacts | 1 |
| Number of door position NO contacts | 1 |
| Connection | 1 x M20 x 1.5 |
| Approach speed | max. 0,1 ... 300 m/min |
| Actuating element | Plain bearing plastic Roller lever arm ^[1] |
| Actuating force | min.15 N |

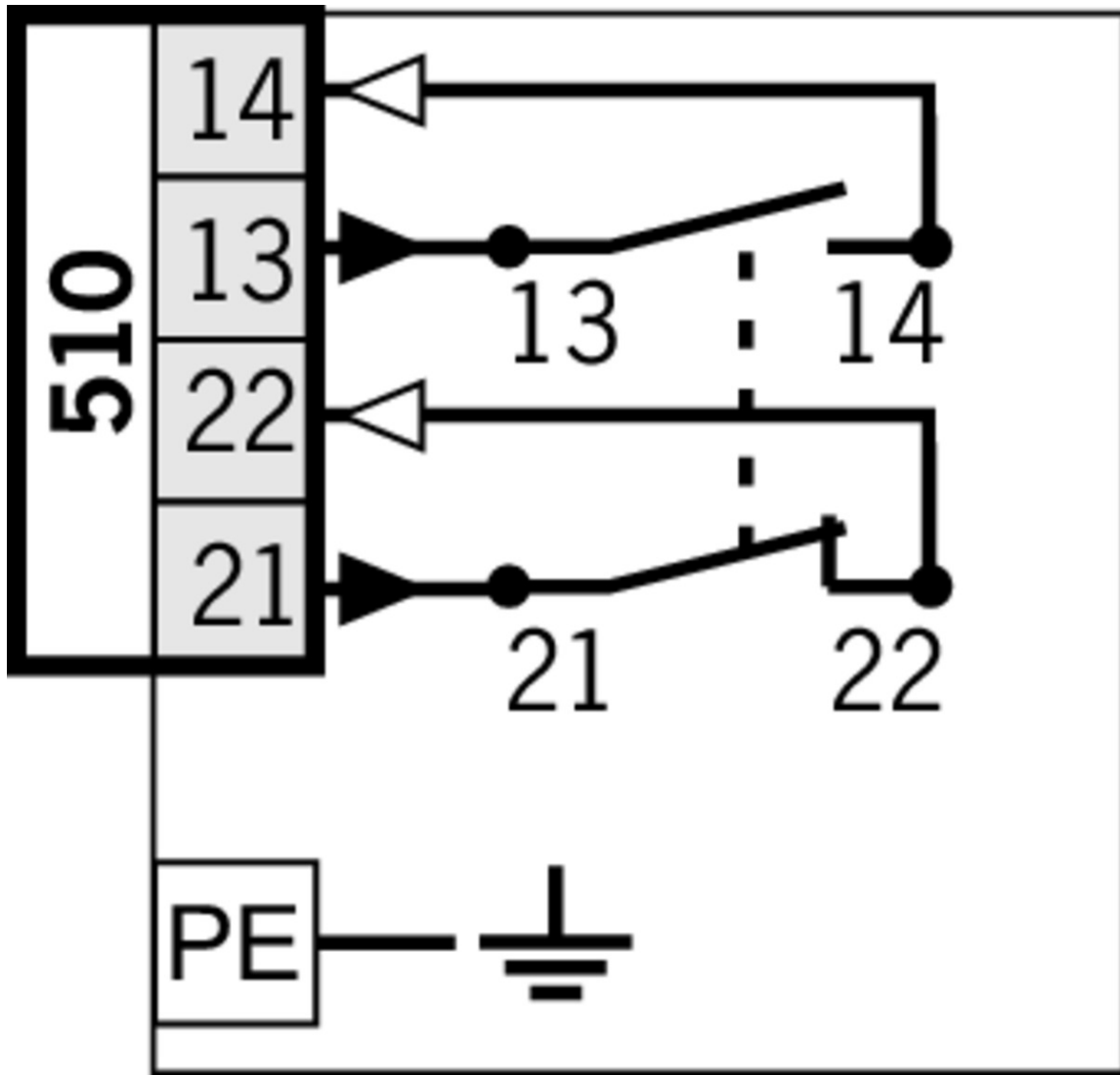
Electrical connection ratings

| | |
|---|---|
| Rated thermal current I _{th} | 6 A |
| Utilization category according to EN 60947-5-1 | AC-15 6A 230V DC-13 6A 24V AC-12 10A 230V |
| Short circuit protection according to IEC 60269-1 | (Fuse) 6A gG |
| Rated insulation voltage U _i | 250 V |
| Rated impulse withstand voltage U _{imp} | 2,5 kV |
| Switching current | Min. at DC 24V 10 mA |
| Connection cross-section | 0,34 ... 1,5 mm ² |

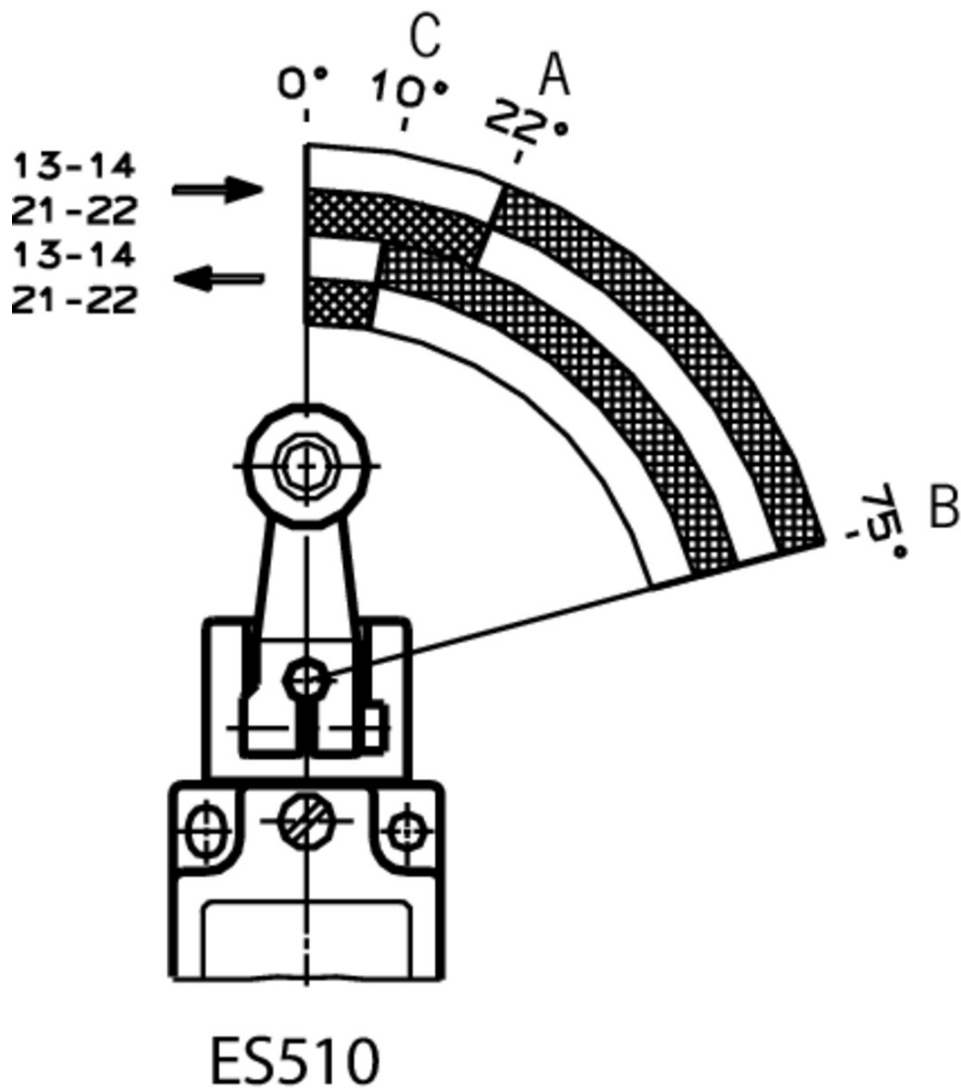
[1] d roller = 18 mm length 32 mm

Dimension drawing







Travel diagram










Legende

-  Contacts closed
-  Contacts open
- A* Operating point
- B* End position
- C* Reset point

Instructions

-  Betriebsanleitung Positionsschalter NG...

| | | | | |
|--|---------|----------|---|--|
| Betriebsanleitung Positionsschalter NG... | 2032310 | 11-03/18 |  |  1.1 MB |
| Operating Instructions Position Switch NG... | | |  | |
| Mode d'emploi Interrupteurs de position NG... | | |  | |
| Istruzioni di impiego Finecorsa di posizione NG... | | |  | |
| Инструкция по эксплуатации Позиционные выключатели NG... | 2032310 | 11-03/18 |  |  0.5 MB |

CAD data

CAD data for this item on TraceParts