

ITEM 086561 NG2HB-510SVM5C1883

Description	Technical data	Accessories	Downloads
-------------	----------------	-------------	-----------



Features

- › Roller lever arm HB (plastic roller)
- › M12 connector and pin assignment for LED indicator (pin 3 not used)

Switching element

510 Snap-action switching contact 1 NC + 1 NO

Approvals



Mechanical values and environment

Housing material	Anodized die-cast alloy
Weight	Net 0,3 kg

Ambient temperature	-25 ... 80 °C
Degree of protection	IP67
Mechanical life	30 x 10 ⁶
Contact material	Silver alloy, gold flashed
Switching principle	Snap-action switching contact
Installation position	Any
Number of door position NC contacts	1
Number of door position NO contacts	1
Connection	1 x Plug connector M12 ^[1]
Approach speed	max. 0,1 ... 300 m/min
Actuating element	Plain bearing plastic Roller lever arm ^[2]
Actuating force	min.15 N

Electrical connection ratings

Rated thermal current I _{th}	4 A
Utilization category according to EN 60947-5-1	AC-15 4A 30V DC-13 4A 24V
Short circuit protection according to IEC 60269-1	(Fuse) 4A gG
Rated insulation voltage U _i	50 V
Rated impulse withstand voltage U _{imp}	1,5 kV
Switching current	Min. at DC 24V 10 mA

Miscellaneous

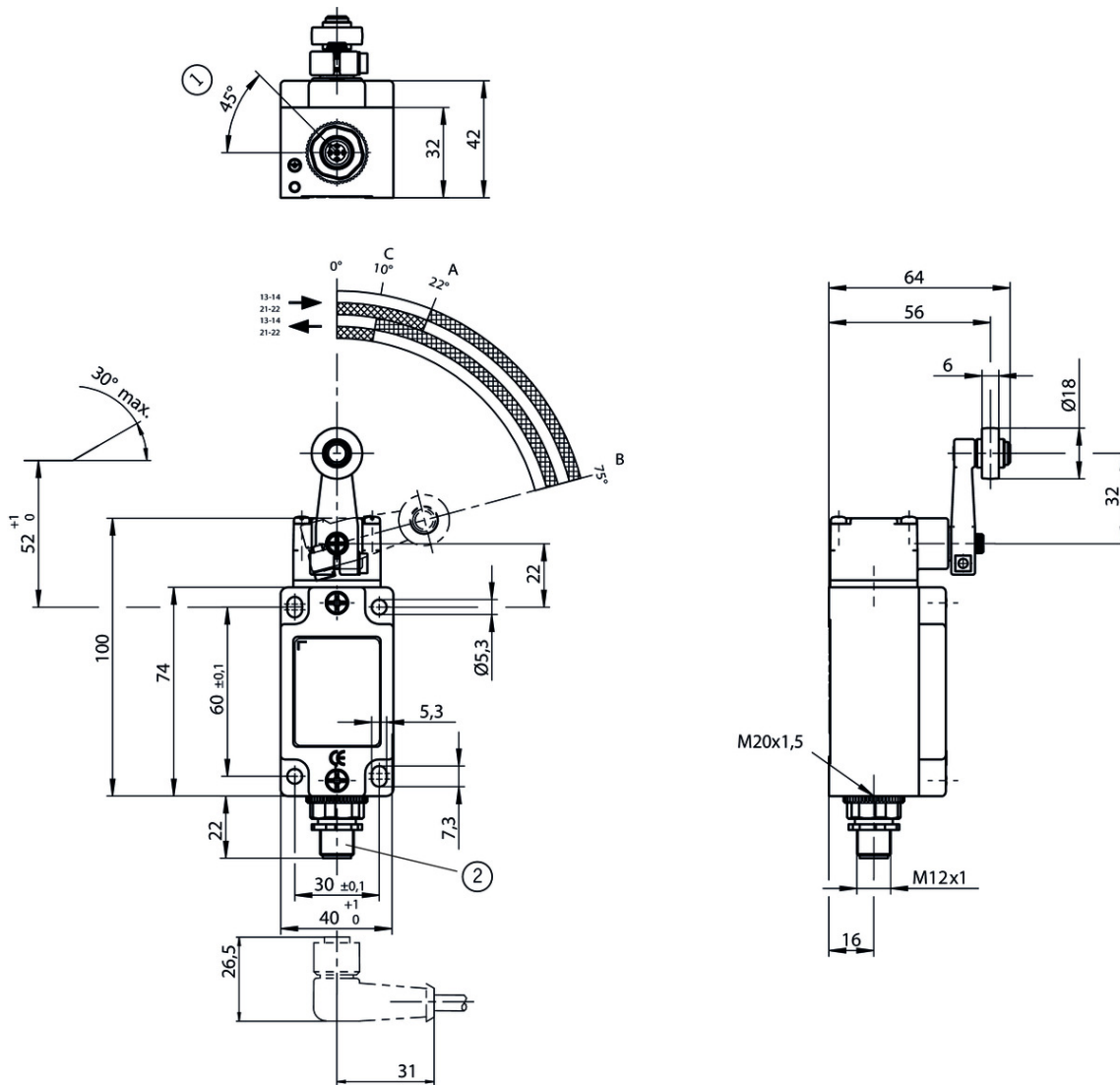
C number	C1883 ^[3]
----------	----------------------

^[1] 5-pin

^[2] d roller = 18 mm length = 32 mm

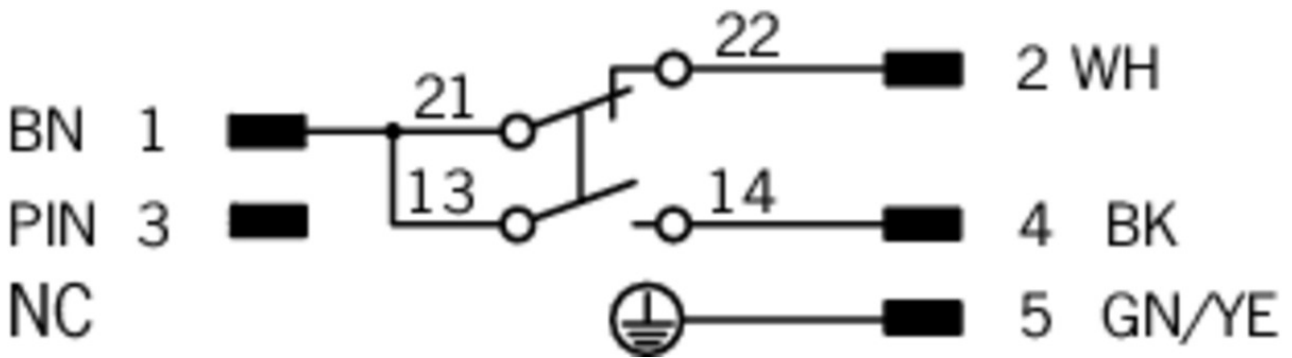
^[3] Special wiring

Dimension drawing

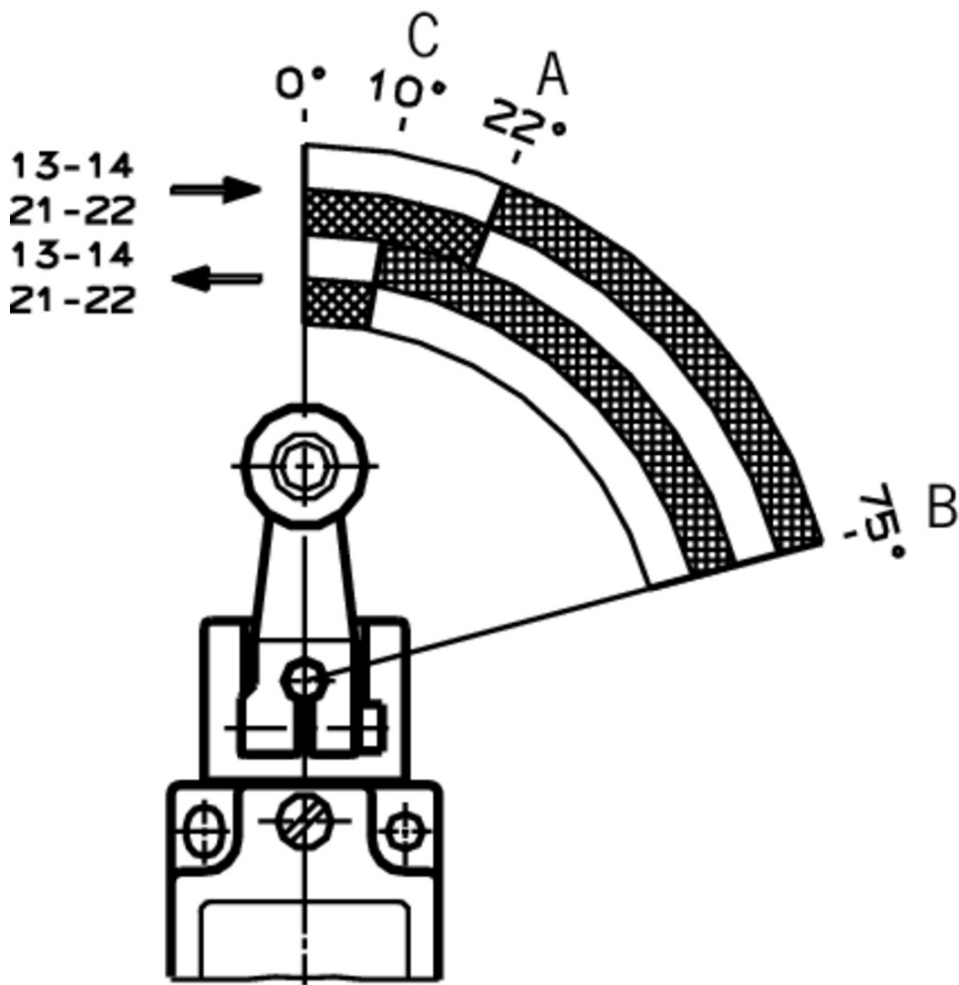


Legende

- 1 Guide lug aligned
- 2 Male socket adjustable (max. 270°)
- A Operating point
- B End position
- C Reset point

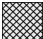



Travel diagram



ES510

Legende

-  Contacts closed
-  Contacts open
- A Operating point
- B End position
- C Reset point

Connection material

Connection cable with straight plug connector M12, 5-pin, 5m



073461 C-M12F05-05X050PU05,0-GA-073461

Features

- › M12 female plug, 4-pin + PE
- › Straight plug connector
- › PUR cable
- › Halogen-free
- › Cable length 5 m
- › With flying lead
- › Cores color-coded

Connection cable with angled plug connector M12, 5-pin, 5m



073462 C-M12F05-05X050PU05,0-GA-073462

Features

- › M12 female plug, 4-pin + PE
- › Angled plug connector
- › PUR cable
- › Halogen-free
- › Cable length 5 m
- › With flying lead
- › Cores color-coded

Instructions

Betriebsanleitung Positionsschalter NG...

	Doc. no.	Version	Language	Download
Betriebsanleitung Positionsschalter NG...	2032310	11-03/18		1.1 MB
Operating Instructions Position Switch NG...				
Mode d'emploi Interrupteurs de position NG...				
Istruzioni di impiego Finecorsa di posizione NG...				
Инструкция по эксплуатации Позиционные выключатели NG...	2032310	11-03/18		0.5 MB