

## ITEM 088604 NG1KO-510-M

Description	Technical data	Accessories	Downloads
-------------	----------------	-------------	-----------



### Features

- › Plunger actuator KO (ball plunger)
- › Cable entry M20 x 1.5

### Switching element

**510** Snap-action switching contact 1 NC + 1 NO

### Adjustment options

Horizontal 4 x 90°

### Approvals



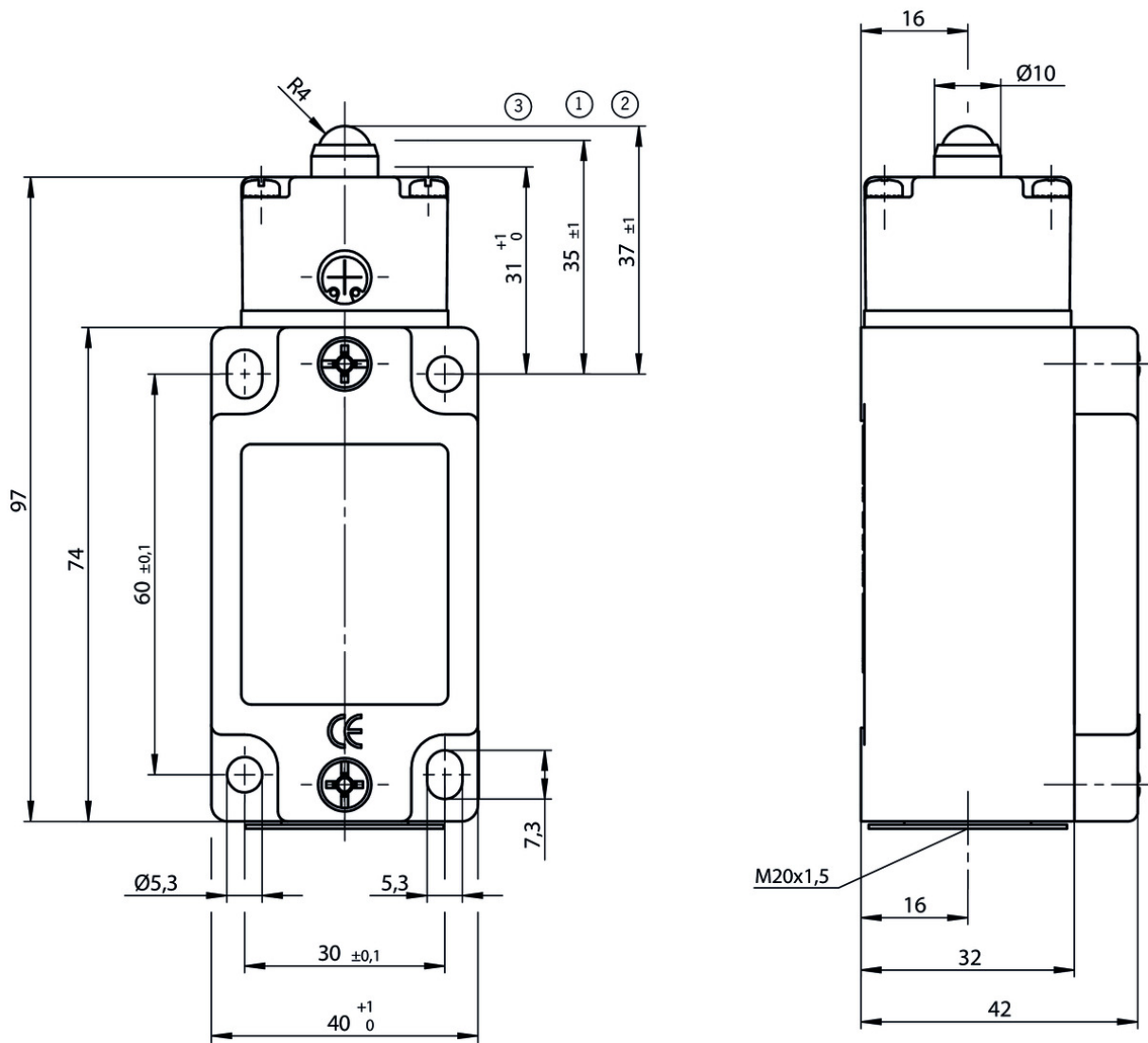
### Mechanical values and environment

Housing material	Anodized die-cast alloy
Weight	
	Net 0,3 kg
Ambient temperature	-25 ... 80 °C
Degree of protection	IP67
Mechanical life	30 x 10 <sup>6</sup>
Contact material	Silver alloy, gold flashed
Switching principle	Snap-action switching contact
Installation position	Any
Number of door position NC contacts	1
Number of door position NO contacts	1
Connection	
	1 x M20 x 1.5
Approach speed	
	max. 0,01 ... 10 m/min
Actuating element	Ball plunger
Actuating force	15 ... 30 N

### Electrical connection ratings

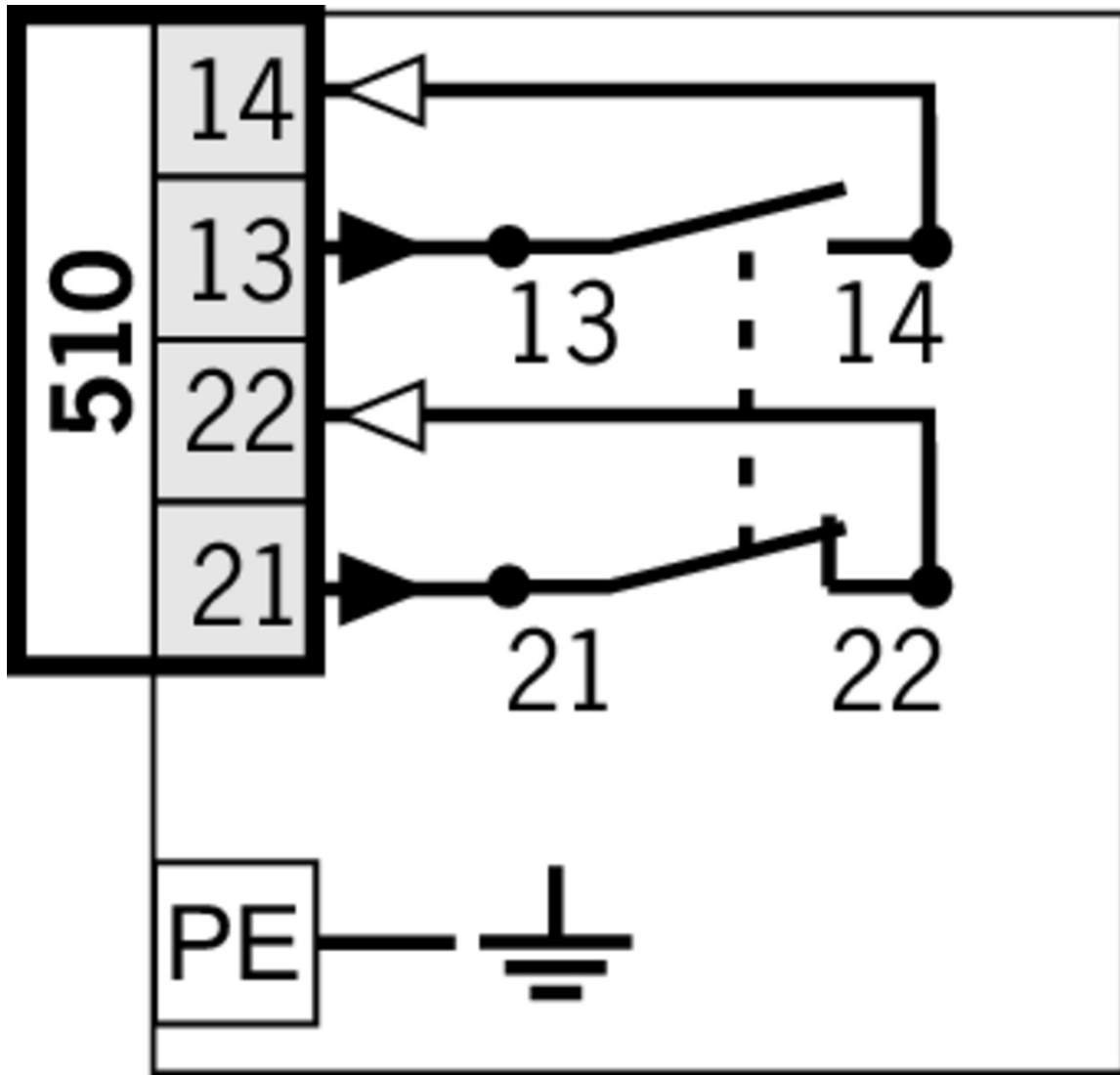
Rated thermal current $I_{th}$	6 A
Utilization category according to EN 60947-5-1	
	AC-15 6A 230V
	DC-13 6A 24V
	AC-12 10A 230V
Short circuit protection according to IEC 60269-1	
	(Fuse) 6A gG
Rated insulation voltage $U_i$	250 V
Rated impulse withstand voltage $U_{imp}$	2,5 kV
Switching current	
	Min. at DC 24V 10 mA
Connection cross-section	0,34 ... 1,5 mm <sup>2</sup>

## Dimension drawing



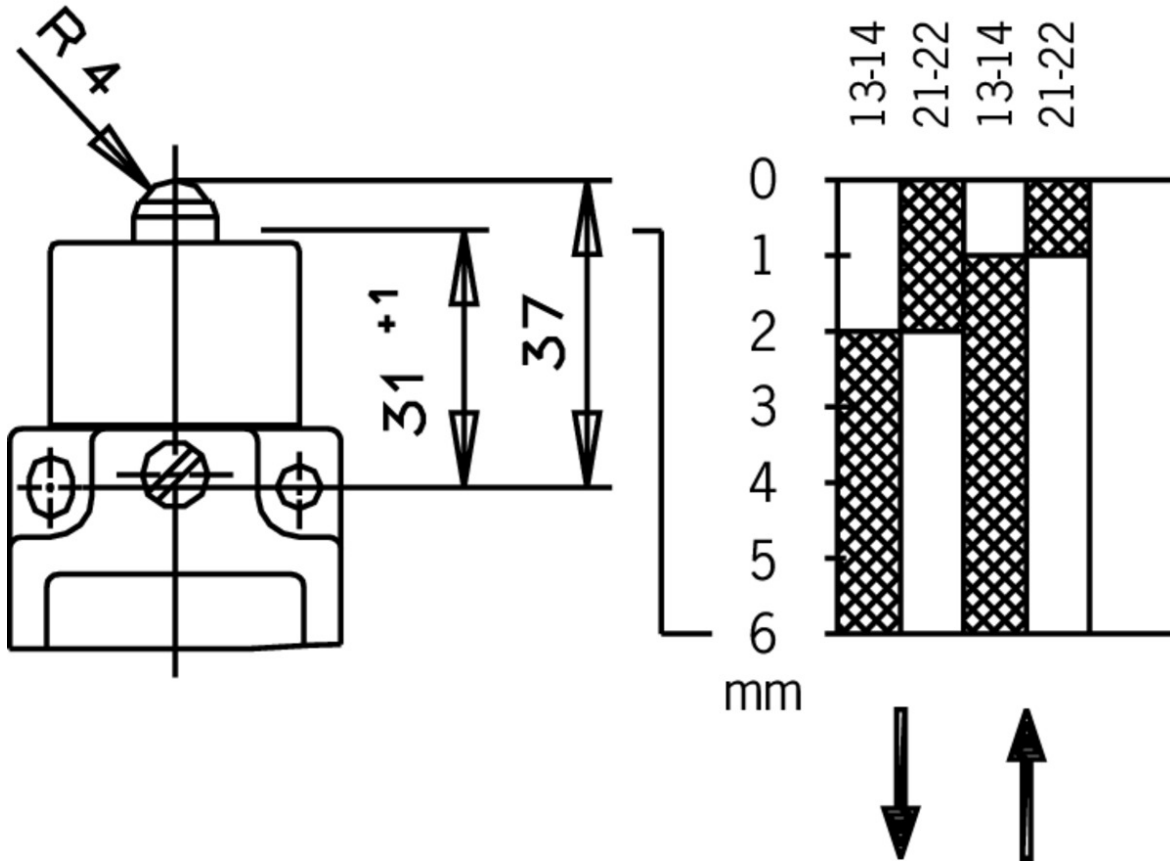
## Legende

- 1 Operating point
- 2 Free position
- 3 End position

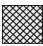



**Travel diagram**

ES510








**Legende**

-  Contacts closed
-  Contacts open

**Instructions**


 Betriebsanleitung Positionsschalter NG...

	Doc. no.	Version	Language	Download
Betriebsanleitung Positionsschalter NG...	2032310	11-03/18		 1.1 MB
Operating Instructions Position Switch NG...				
Mode d'emploi Interrupteurs de position NG...				
Istruzioni di impiego Finecorsa di posizione NG...				

Инструкция по эксплуатации Позиционные  
выключатели NG...

2032310 11-03/18



 0.5 MB

### **CAD data**

CAD data for this item on TraceParts