

## ITEM 088631 NG2HB-510SVM5

Description	Technical data	Accessories	Downloads
-------------	----------------	-------------	-----------



### Features

- › Roller lever arm HB (plastic roller)
- › plug connector M12/SVM5

### Switching element

**510** Snap-action switching contact 1 NC + 1 NO

### Adjustment options

Horizontal and vertical 4 x 90°

### Switching direction

Switches to the right, left or both sides

### Approvals



## Mechanical values and environment

Housing material	Anodized die-cast alloy
Weight	Net 0,3 kg
Ambient temperature	-25 ... 80 °C
Degree of protection	IP67
Mechanical life	30 x 10 <sup>6</sup>
Contact material	Silver alloy, gold flashed
Switching principle	Snap-action switching contact
Installation position	Any
Number of door position NC contacts	1
Number of door position NO contacts	1
Connection	1 x Plug connector M12 [1]
Approach speed	max. 0,1 ... 300 m/min
Actuating element	Plain bearing plastic Roller lever arm [2]
Actuating force	min.15 N

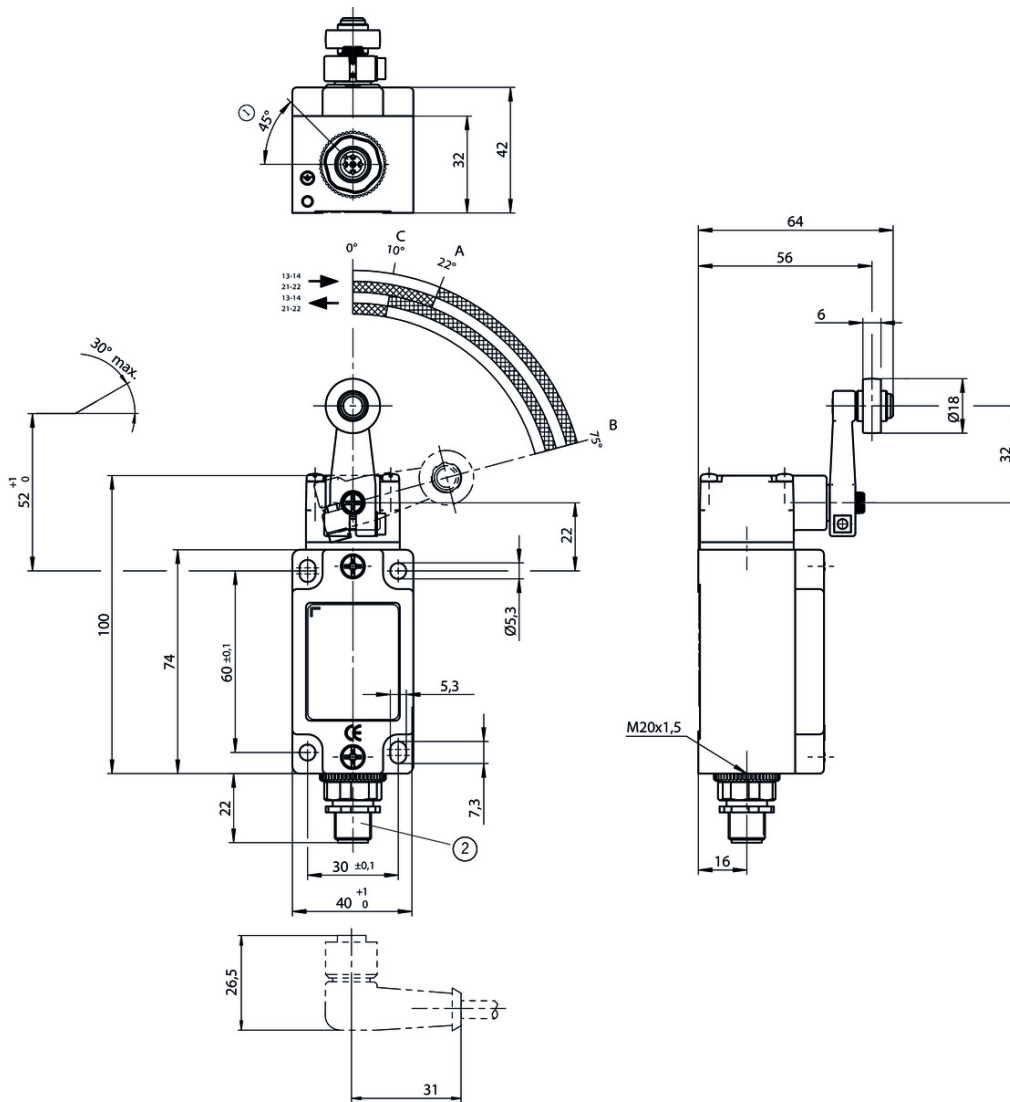
## Electrical connection ratings

Rated thermal current I <sub>th</sub>	4 A
Utilization category according to EN 60947-5-1	AC-15 4A 30V DC-13 4A 24V
Short circuit protection according to IEC 60269-1	(Fuse) 4A gG
Rated insulation voltage U <sub>i</sub>	50 V
Rated impulse withstand voltage U <sub>imp</sub>	1,5 kV
Switching current	Min. at DC 24V 10 mA

[1] 5-pin

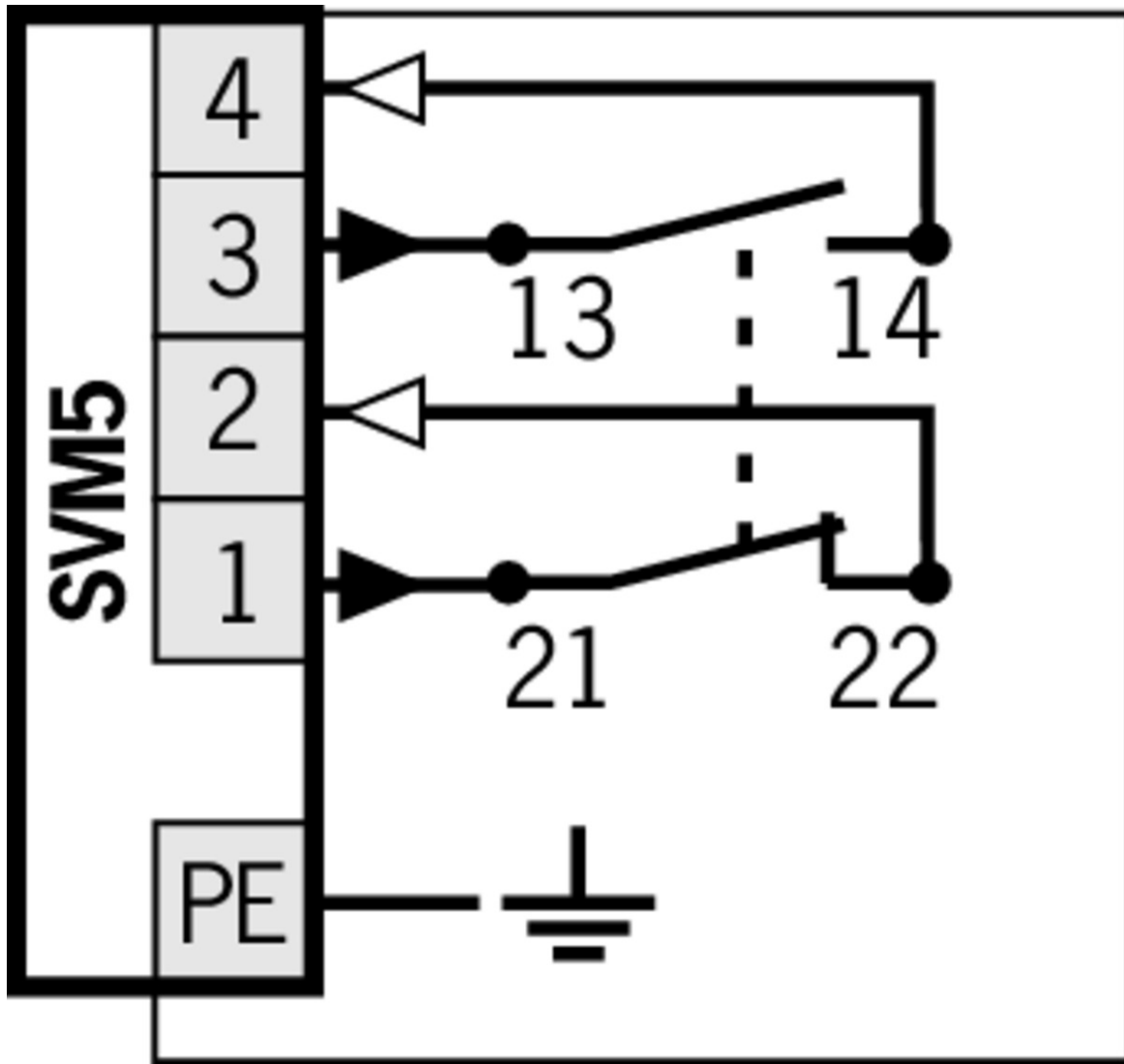
[2] d roller = 18 mm length 32 mm

## Dimension drawing



## Legende

- 1 Guide lug aligned
- 2 Male socket adjustable (max. 270°)
- A Operating point
- B End position
- C Reset point





- › PUR cable
- › Halogen-free
- › Cable length 5 m
- › With flying lead
- › Cores color-coded

▼ Connection cable with angled plug connector M12, 5-pin, 5m



**073462** C-M12F05-05X050PU05,0-GA-073462

▼ Features

- › M12 female plug, 4-pin + PE
- › Angled plug connector
- › PUR cable
- › Halogen-free
- › Cable length 5 m
- › With flying lead
- › Cores color-coded

## Instructions

▼ Betriebsanleitung Positionsschalter NG...

	Doc. no.	Version	Language	Download
Betriebsanleitung Positionsschalter NG... Operating Instructions Position Switch NG... Mode d'emploi Interrupteurs de position NG... Istruzioni di impiego Finecorsa di posizione NG...	2032310	11-03/18	   	1.1 MB
Инструкция по эксплуатации Позиционные выключатели NG...	2032310	11-03/18		0.5 MB

## CAD data

CAD data for this item on TraceParts