

ITEM 089089 NG2HB-510L060

Description	Technical data	Accessories	Downloads
-------------	----------------	-------------	-----------



Features

- › Roller lever arm HB (plastic roller)
- › Plug connector SR6
- › LED indicator

Switching element

510 Snap-action switching contact 1 NC + 1 NO

LED function display

A function display is available for the following voltage range:

- › 12-60 V AC/DC (standard) L060

Adjustment options

Horizontal and vertical 4 x 90°

Switching direction

Switches to the right, left or both sides

Approvals



Mechanical values and environment

Housing material	Anodized die-cast alloy
Weight	Net 0,3 kg
Ambient temperature	-25 ... 80 °C
Degree of protection	IP65
Mechanical life	30 x 10 ⁶
Contact material	Silver alloy, gold flashed
Switching principle	Snap-action switching contact
Installation position	Any
Number of door position NC contacts	1
Number of door position NO contacts	1
Connection	1 x Plug connector SR6 ^[1]
Approach speed	max. 0,1 ... 300 m/min
Actuating element	Plain bearing plastic Roller lever arm ^[2]
Actuating force	min.15 N

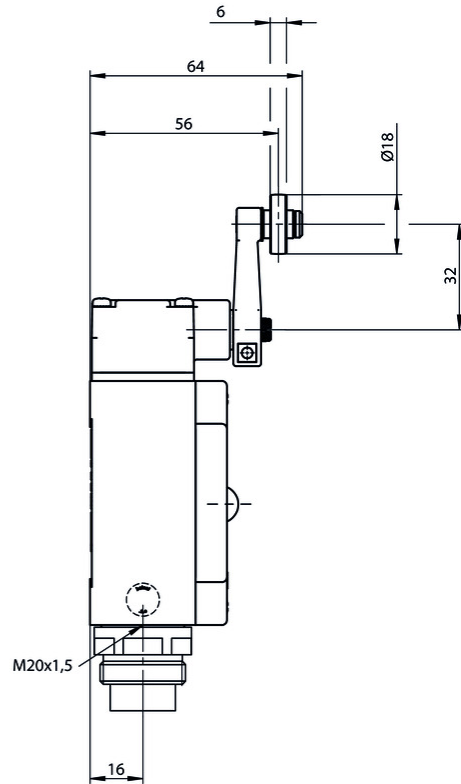
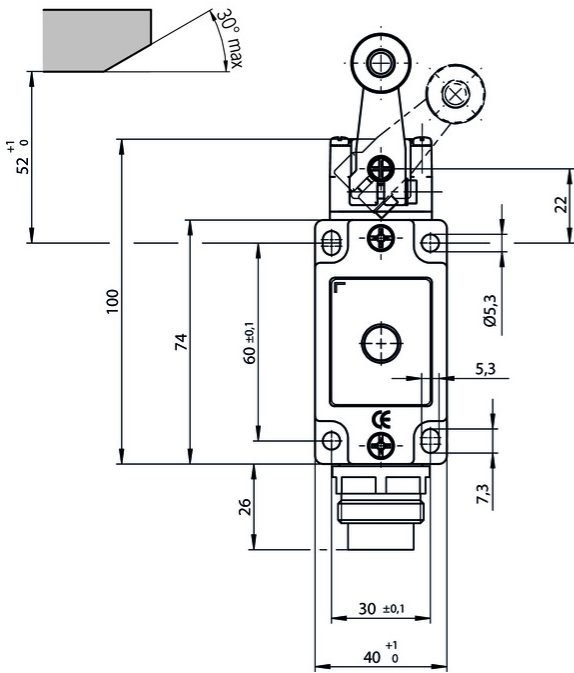
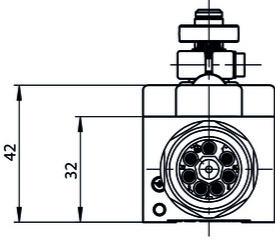
Electrical connection ratings

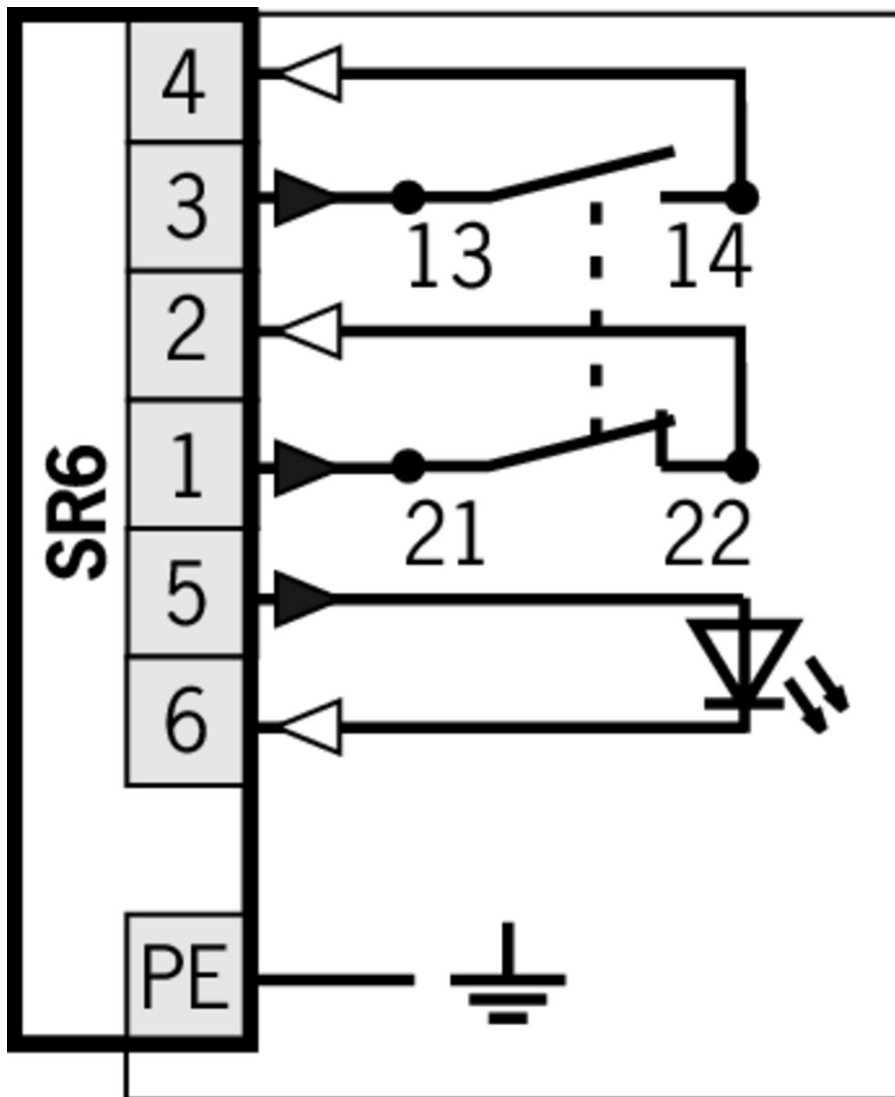
Rated thermal current I _{th}	6 A
Utilization category according to EN 60947-5-1	AC-15 6A 230V DC-13 6A 24V
Short circuit protection according to IEC 60269-1	(Fuse) 6A gG
Rated insulation voltage U _i	250 V
Rated impulse withstand voltage U _{imp}	2,5 kV
Switching current	Min. at DC 24V 10 mA
Display module	AC/DC 12 ... 60 V 60 V LED red

[1] 6-pin + PE

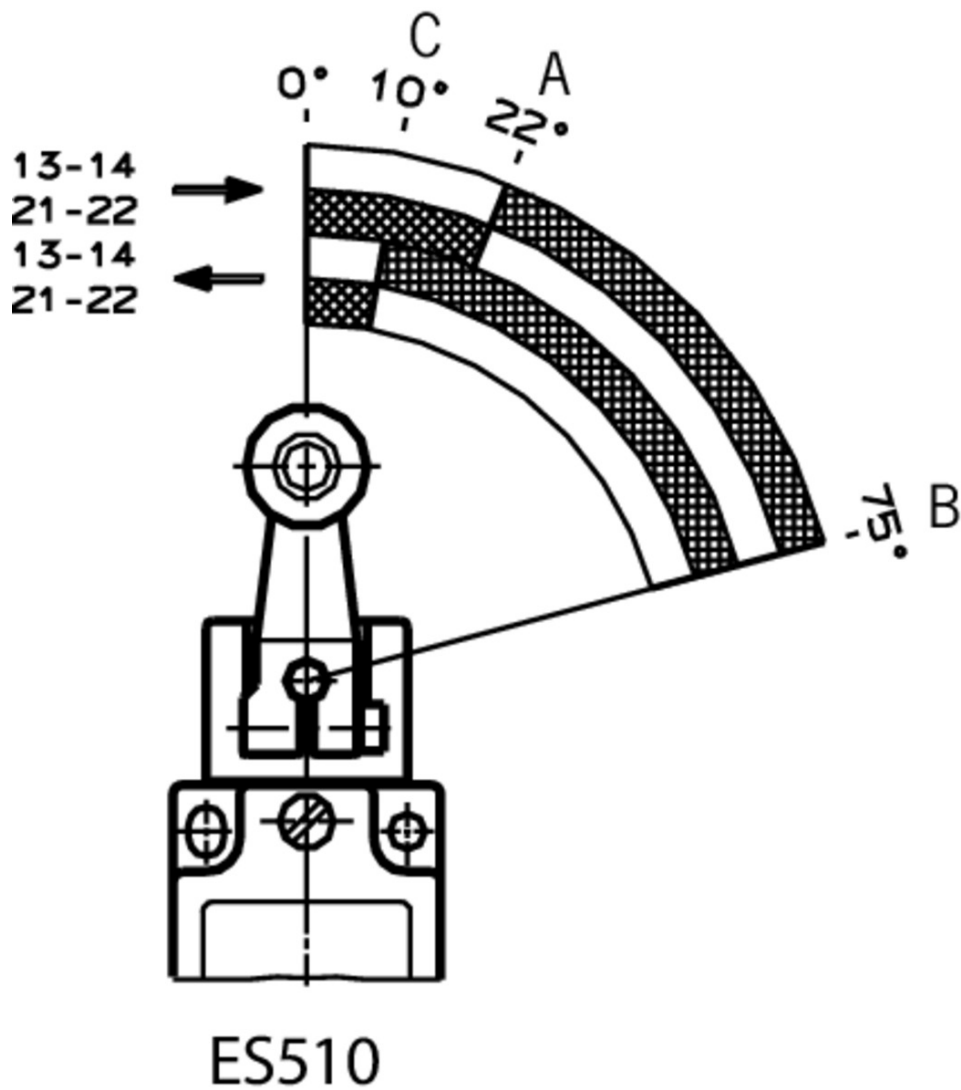
[2] d roller = 18 mm length 32 mm

Dimension drawing







Travel diagram



Legende

-  Contacts closed
-  Contacts open
- A Operating point
- B End position
- C Reset point

Connection material

- Plug connector SR6



013176 SR6EF

- Features
 - › Crimp contacts
 - › Coding shells



024999 SR6WFPG11R

✓ Features

- › Socket crimp contacts
- › 6-pin+PE
- › Contact carrier can be adjusted in 7 outlet directions

013178 SR6K

✓ Features

- › Coding for plug connector SR6
- › Coding shells

087180 SR6AM2-M20

✓ Features

- › Crimp contacts
- › Male socket

✓ Connection cable with plug connector SR6, 5m



077632 C-M26F07-07X1,0PU05,0-MA-077632

✓ Features

- › Female plug SR6, 6-pin + PE
- › Straight plug connector
- › PUR cable
- › Cable length 5 m
- › With flying lead

✓ Connection cable with plug connector SR6, 5m, angled



077638 C-R22F07-07X1,0PU05,0-MA-077638

✓ Features

- › Female plug SR6, 6-pin + PE
- › Angled plug connector
- › PUR cable
- › Cable length 5 m
- › With flying lead

✓ Connection cable with plug connector SR6, 10m



077633 C-M26F07-07X1,0PU10,0-MA-077633

✓ Features

- › Female plug SR6, 6-pin + PE
- › Straight plug connector
- › PUR cable
- › Cable length 10 m
- › With flying lead

✓ Connection cable with plug connector SR6, 10m, angled

077639 C-R22F07-07X1,0PU10,0-MA-077639

✓ Features



- › Female plug SR6, 6-pin + PE
- › Angled plug connector
- › PUR cable
- › Cable length 10 m
- › With flying lead

▼ Connection cable with plug connector SR6, 15m



077634 C-M26F07-07X1,0PU15,0-MA-077634

▼ Features

- › Female plug SR6, 6-pin + PE
- › Straight plug connector
- › PUR cable
- › Cable length 15 m
- › With flying lead

▼ Connection cable with plug connector SR6, 15m, angled



077640 C-R22F07-07X1,0PU15,0-MA-077640

▼ Features

- › Female plug SR6, 6-pin + PE
- › Angled plug connector
- › PUR cable
- › Cable length 15 m
- › With flying lead

▼ Connection cable with plug connector SR6, 20m



098128 C-M26F07-07X1,0PU20,0-MA-098128

▼ Features

- › Female plug SR6, 6-pin + PE
- › Straight plug connector
- › PUR cable
- › Cable length 20 m
- › With flying lead

Instructions

▼ Betriebsanleitung Positionsschalter NG...

	Doc. no.	Version	Language	Download
Betriebsanleitung Positionsschalter NG... Operating Instructions Position Switch NG... Mode d'emploi Interrupteurs de position NG... Istruzioni di impiego Finecorsa di posizione NG...	2032310	11-03/18	 	1.1 MB
Инструкция по эксплуатации Позиционные выключатели NG...	2032310	11-03/18		0.5 MB

CAD data

