

ITEM 090021 NG2RG-510

| Description | Technical data | Accessories | Downloads |
|-------------|----------------|-------------|-----------|
|-------------|----------------|-------------|-----------|



Features

- › Plunger actuator RG (roller plunger, plastic roller)
- › Plug connector SR6

Switching element

510 Snap-action switching contact 1 NC + 1 NO

Adjustment options

Horizontal 4 x 90°

Approvals



Mechanical values and environment

| | |
|-------------------------------------|---|
| Housing material | Anodized die-cast alloy |
| Weight | Net 0,3 kg |
| Ambient temperature | -25 ... 80 °C |
| Degree of protection | IP65 |
| Mechanical life | 30 x 10 ⁶ |
| Contact material | Silver alloy, gold flashed |
| Switching principle | Snap-action switching contact |
| Installation position | Any |
| Number of door position NC contacts | 1 |
| Number of door position NO contacts | 1 |
| Connection | 1 x Plug connector SR6 [1] |
| Approach speed | max. 0,01 ... 20 m/min |
| Actuating element | Plain bearing plastic Roller plunger [2] |
| Actuating force | 15 ... 30 N |

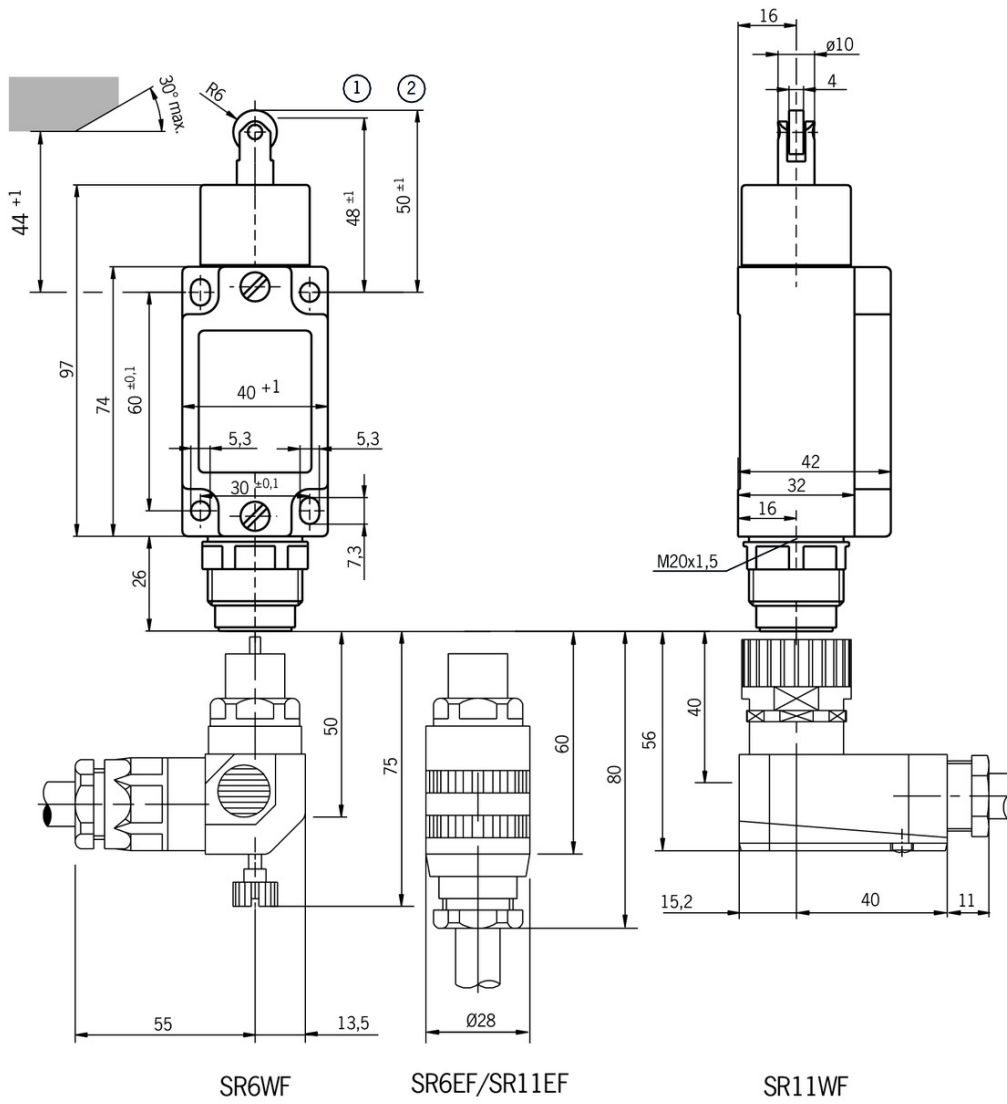
Electrical connection ratings

| | |
|---|-------------------------------|
| Rated thermal current I_{th} | 6 A |
| Utilization category according to EN 60947-5-1 | AC-15 6A 230V DC-13 6A 24V |
| Short circuit protection according to IEC 60269-1 | (Fuse) 6A gG |
| Rated insulation voltage U_i | 250 V |
| Rated impulse withstand voltage U_{imp} | 2,5 kV |
| Switching current | Min. at DC 24V 10 mA |

[1] 6-pin + PE

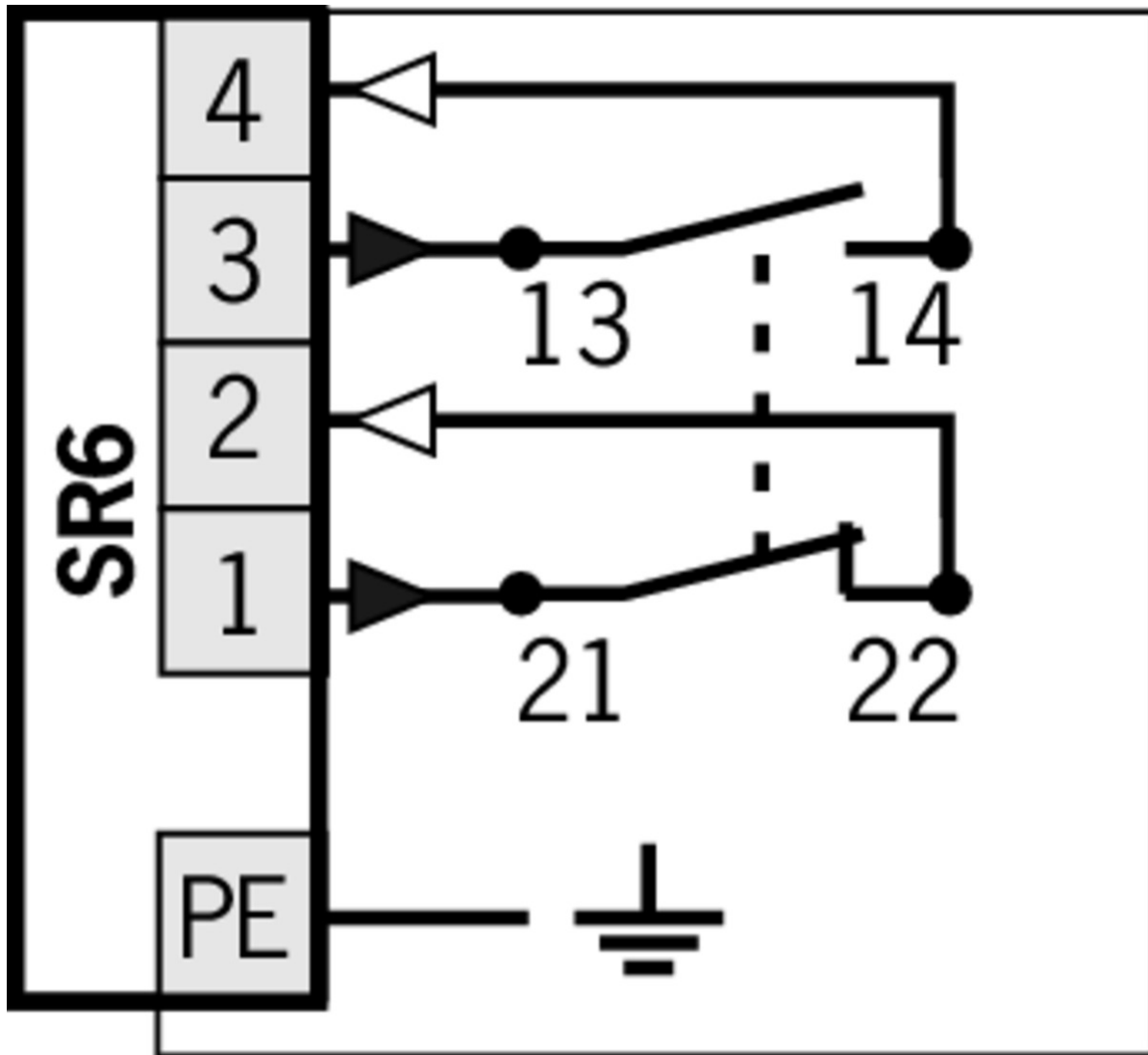
[2] d roller = 12 mm

Dimension drawing



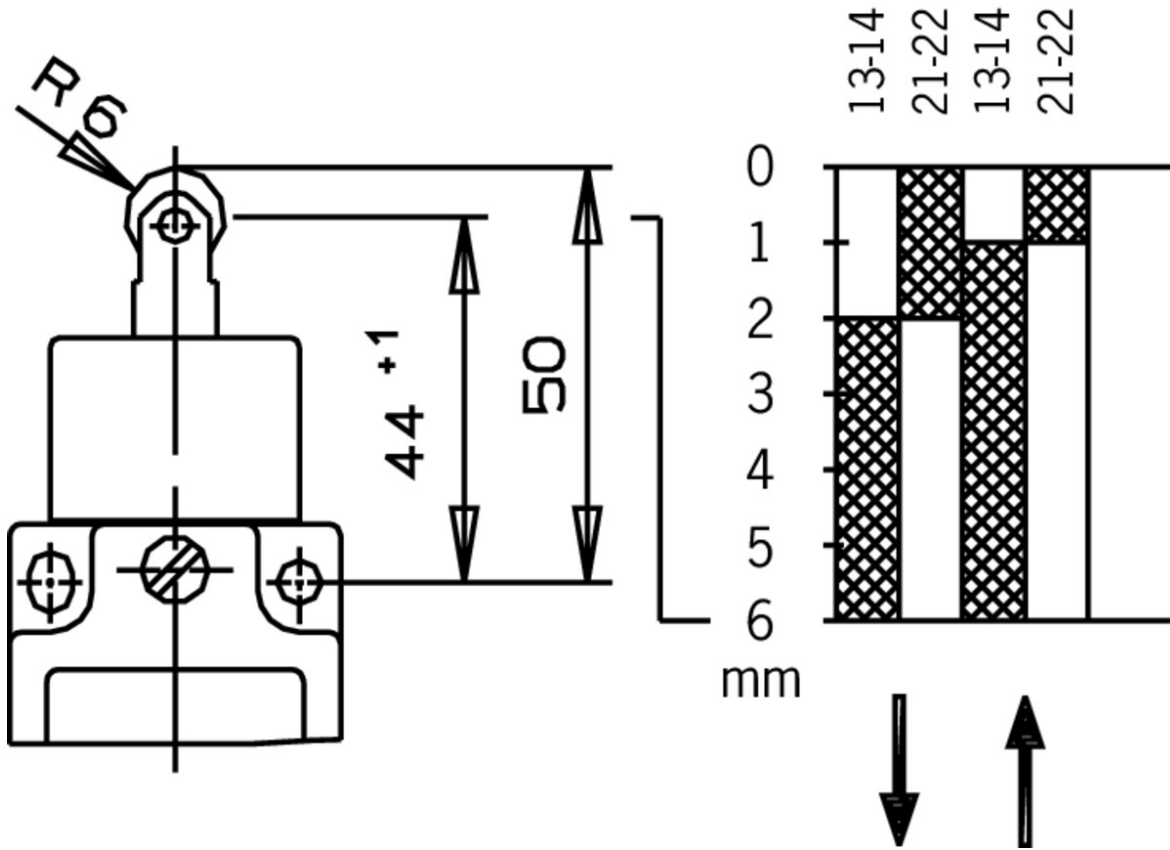
Legende

- 1 Operating point
- 2 Free position





Travel diagram


ES510



Legende


-  Contacts closed
-  Contacts open

Connection material

-  Plug connector SR6




013176 SR6EF

-  Features
 - > Crimp contacts
 - > Coding shells



024999 SR6WFG11R

-  Features

- › Socket crimp contacts
 - › 6-pin+PE
 - › Contact carrier can be adjusted in 7 outlet directions
-

013178 SR6K

▼ Features

- › Coding for plug connector SR6
 - › Coding shells
-

087180 SR6AM2-M20

▼ Features

- › Crimp contacts
 - › Male socket
-

▼ Connection cable with plug connector SR6, 5m



077632 C-M26F07-07X1,0PU05,0-MA-077632

▼ Features

- › Female plug SR6, 6-pin + PE
 - › Straight plug connector
 - › PUR cable
 - › Cable length 5 m
 - › With flying lead
-

▼ Connection cable with plug connector SR6, 5m, angled



077638 C-R22F07-07X1,0PU05,0-MA-077638

▼ Features

- › Female plug SR6, 6-pin + PE
 - › Angled plug connector
 - › PUR cable
 - › Cable length 5 m
 - › With flying lead
-

▼ Connection cable with plug connector SR6, 10m



077633 C-M26F07-07X1,0PU10,0-MA-077633

▼ Features

- › Female plug SR6, 6-pin + PE
 - › Straight plug connector
 - › PUR cable
 - › Cable length 10 m
 - › With flying lead
-

▼ Connection cable with plug connector SR6, 10m, angled



077639 C-R22F07-07X1,0PU10,0-MA-077639

▼ Features

- › Female plug SR6, 6-pin + PE
- › Angled plug connector
- › PUR cable

- › Cable length 10 m
- › With flying lead

▼ Connection cable with plug connector SR6, 15m



077634 C-M26F07-07X1,0PU15,0-MA-077634

▼ Features

- › Female plug SR6, 6-pin + PE
- › Straight plug connector
- › PUR cable
- › Cable length 15 m
- › With flying lead

▼ Connection cable with plug connector SR6, 15m, angled



077640 C-R22F07-07X1,0PU15,0-MA-077640

▼ Features

- › Female plug SR6, 6-pin + PE
- › Angled plug connector
- › PUR cable
- › Cable length 15 m
- › With flying lead

▼ Connection cable with plug connector SR6, 20m



098128 C-M26F07-07X1,0PU20,0-MA-098128

▼ Features

- › Female plug SR6, 6-pin + PE
- › Straight plug connector
- › PUR cable
- › Cable length 20 m
- › With flying lead

Instructions

▼ Betriebsanleitung Positionsschalter NG...

| | Doc. no. | Version | Language | Download |
|--|----------|----------|----------|----------|
| Betriebsanleitung Positionsschalter NG... | 2032310 | 11-03/18 | | 1.1 MB |
| Operating Instructions Position Switch NG... | | | | |
| Mode d'emploi Interrupteurs de position NG... | | | | |
| Istruzioni di impiego Finecorsa di posizione NG... | | | | |
| Инструкция по эксплуатации Позиционные выключатели NG... | 2032310 | 11-03/18 | | 0.5 MB |

CAD data

CAD data for this item on TraceParts