

ITEM 090866 NG2HS-510SVM5

Description	Technical data	Accessories	Downloads
-------------	----------------	-------------	-----------



Features

- › Roller lever arm HS (steel roller)
- › plug connector M12/SVM5

Switching element

510 Snap-action switching contact 1 NC + 1 NO

Adjustment options

Horizontal and vertical 4 x 90°

Switching direction

Switches to the right, left or both sides

Approvals



Mechanical values and environment

Housing material	Anodized die-cast alloy
Weight	Net 0,3 kg
Ambient temperature	-25 ... 80 °C
Degree of protection	IP67
Mechanical life	30 x 10 ⁶
Contact material	Silver alloy, gold flashed
Switching principle	Snap-action switching contact
Installation position	Any
Number of door position NC contacts	1
Number of door position NO contacts	1
Connection	1 x Plug connector M12 ^[1]
Approach speed	max. 0,1 ... 60 m/min
Actuating element	Plain bearing metal Roller lever arm ^[2]
Actuating force	min.15 N

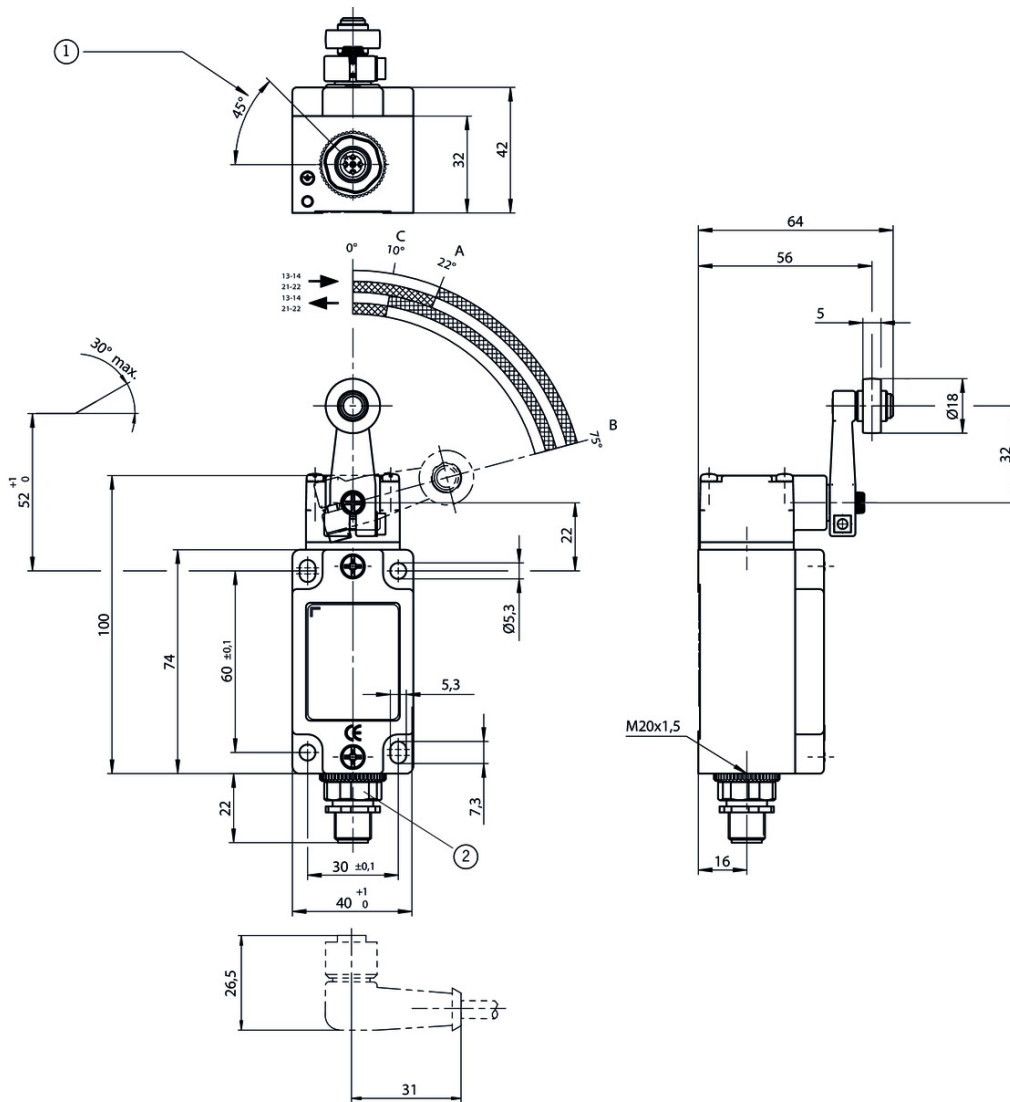
Electrical connection ratings

Rated thermal current I _{th}	4 A
Utilization category according to EN 60947-5-1	AC-15 4A 30V DC-13 4A 24V
Short circuit protection according to IEC 60269-1	(Fuse) 4A gG
Rated insulation voltage U _i	50 V
Rated impulse withstand voltage U _{imp}	1,5 kV
Switching current	Min. at DC 24V 10 mA

[1] 5-pin

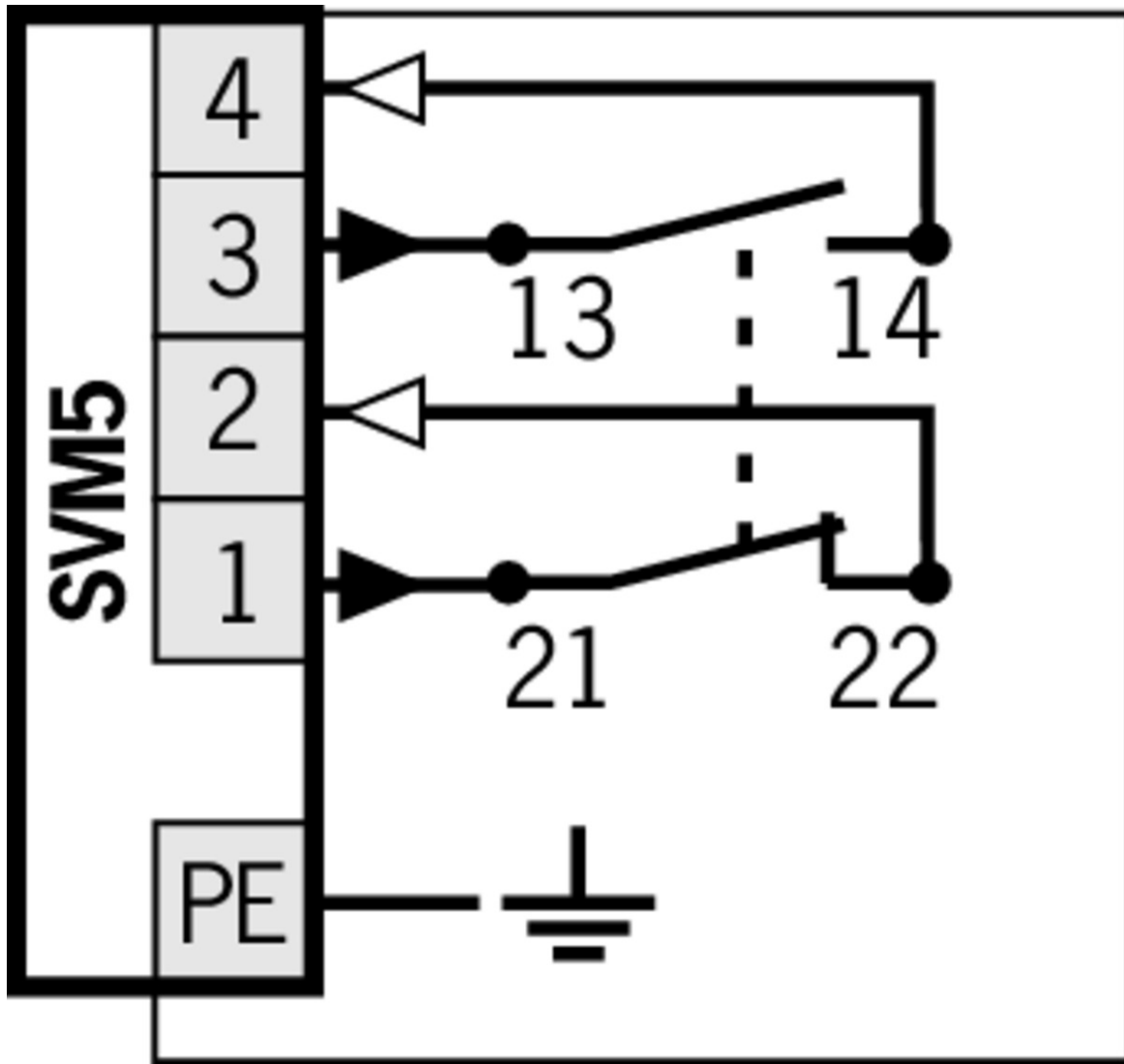
[2] d roller = 18 mm length 32 mm

Dimension drawing

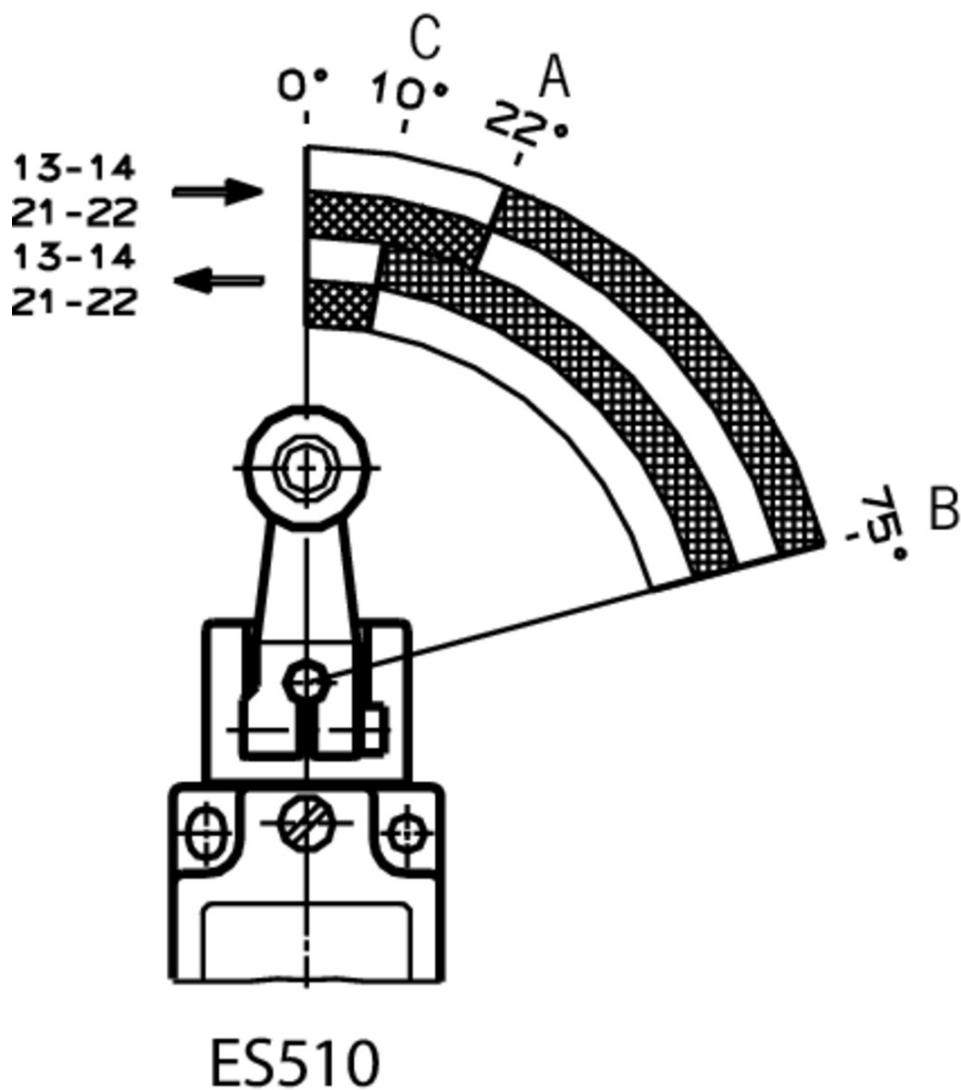


Legende



- 1 Guide lug aligned
- 2 Male socket adjustable (max. 270°)
- A Operating point
- B End position
- C Reset point



Travel diagram



Legende

-  Contacts closed
-  Contacts open
- A Operating point
- B End position
- C Reset point

Connection material

- Connection cable with straight plug connector M12, 5-pin, 5m



073461 C-M12F05-05X050PU05,0-GA-073461

Features

- › M12 female plug, 4-pin + PE
- › Straight plug connector

- › PUR cable
- › Halogen-free
- › Cable length 5 m
- › With flying lead
- › Cores color-coded

▼ Connection cable with angled plug connector M12, 5-pin, 5m



073462 C-M12F05-05X050PU05,0-GA-073462

▼ Features

- › M12 female plug, 4-pin + PE
- › Angled plug connector
- › PUR cable
- › Halogen-free
- › Cable length 5 m
- › With flying lead
- › Cores color-coded

Instructions

▼ Betriebsanleitung Positionsschalter NG...

	Doc. no.	Version	Language	Download
Betriebsanleitung Positionsschalter NG... Operating Instructions Position Switch NG... Mode d'emploi Interrupteurs de position NG... Istruzioni di impiego Finecorsa di posizione NG...	2032310	11-03/18	 	1.1 MB
Инструкция по эксплуатации Позиционные выключатели NG...	2032310	11-03/18		0.5 MB

CAD data

CAD data for this item on TraceParts