

ITEM 090931 NG2KO-510SVM5

Description	Technical data	Accessories	Downloads
-------------	----------------	-------------	-----------



Features

- › Plunger actuator KO (ball plunger)
- › plug connector M12/SVM5

Switching element

510 Snap-action switching contact 1 NC + 1 NO

Adjustment options

Horizontal 4 x 90°

Approvals



Mechanical values and environment

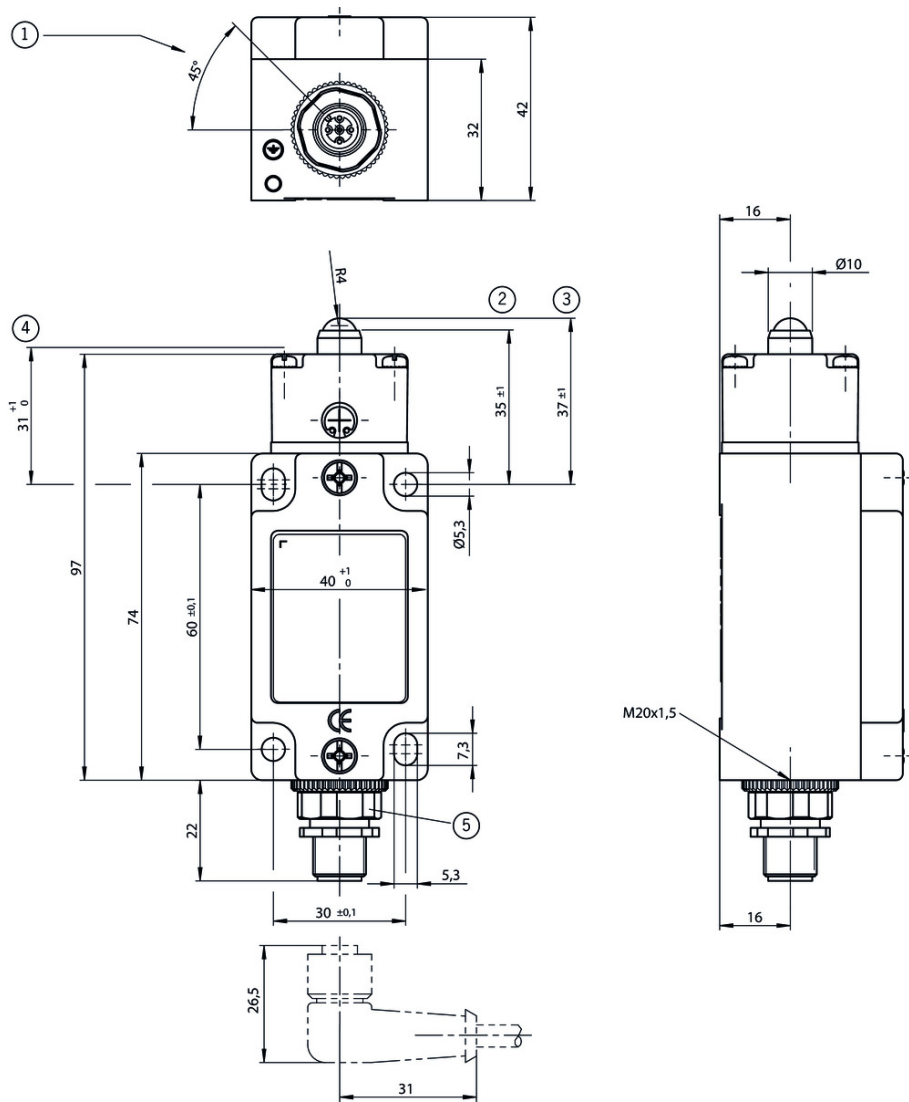
Housing material	Anodized die-cast alloy
Weight	
	Net 0,3 kg
Ambient temperature	-25 ... 80 °C
Degree of protection	IP67
Mechanical life	30 x 10 ⁶
Contact material	Silver alloy, gold flashed
Switching principle	Snap-action switching contact
Installation position	Any
Number of door position NC contacts	1
Number of door position NO contacts	1
Connection	
	1 x Plug connector M12 [1]
Approach speed	
	max. 0,01 ... 10 m/min
Actuating element	Ball plunger
Actuating force	15 ... 30 N

Electrical connection ratings

Rated thermal current I_{th}	4 A
Utilization category according to EN 60947-5-1	
	AC-15 4A 30V
	DC-13 4A 24V
Short circuit protection according to IEC 60269-1	
	(Fuse) 4A gG
Rated insulation voltage U_i	50 V
Rated impulse withstand voltage U_{imp}	1,5 kV
Switching current	
	Min. at DC 24V 10 mA

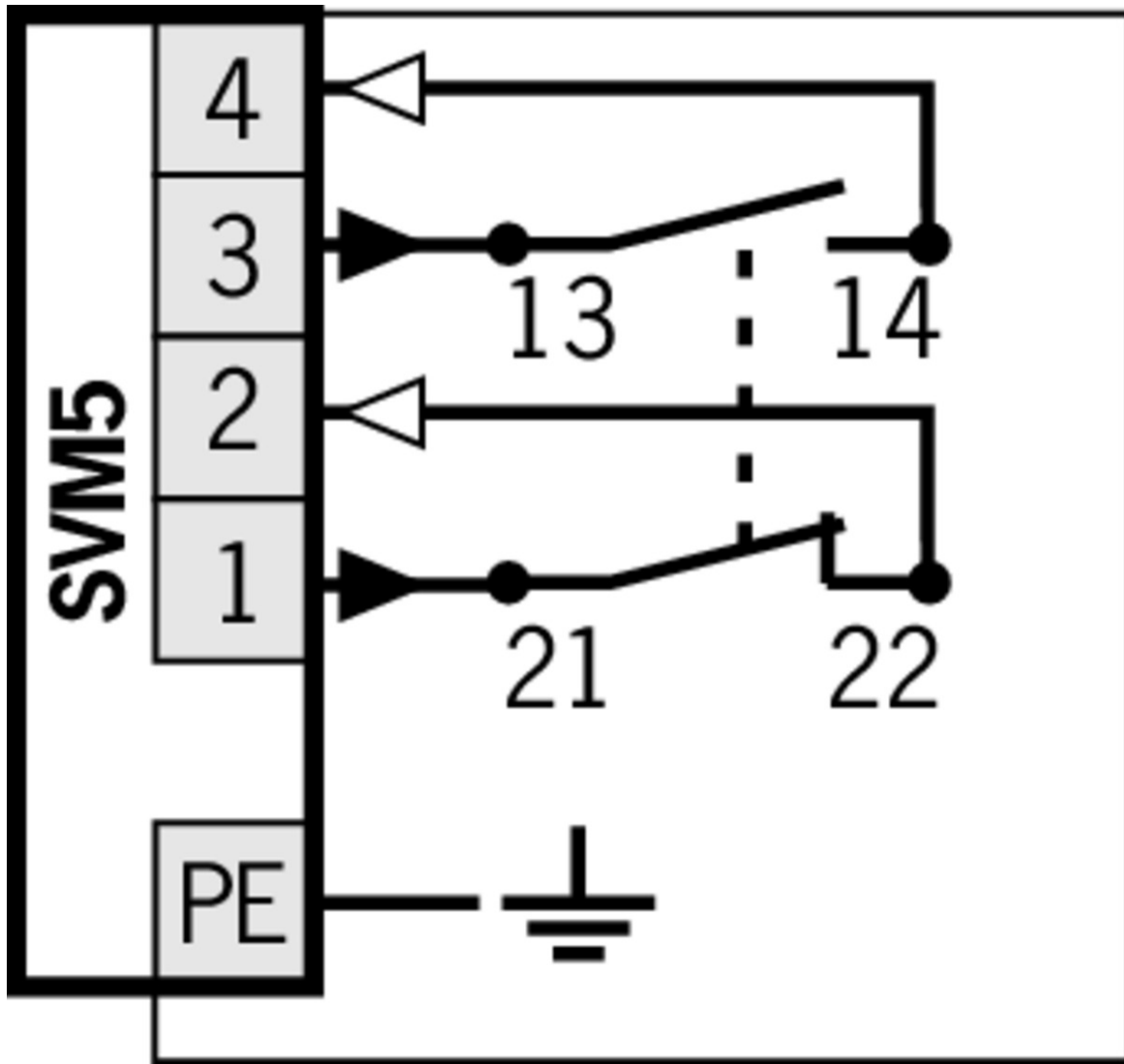
[1] 5-pin

Dimension drawing



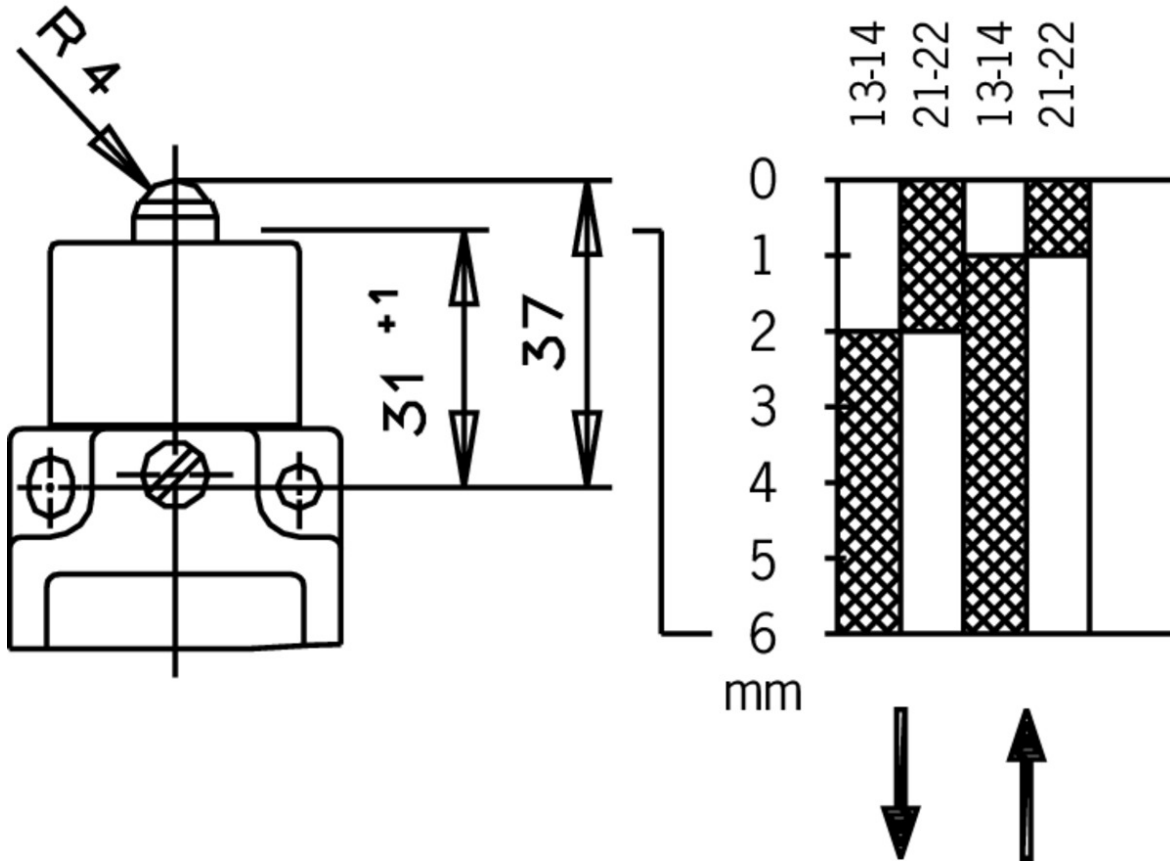
Legende

- 1 Guide lug aligned
- 2 Operating point
- 3 Free position
- 4 End position
- 5 Male socket adjustable (max. 270°)





Travel diagram


ES510



Legende

-  Contacts closed
-  Contacts open

Connection material

-  Connection cable with straight plug connector M12, 5-pin, 5m



073461 C-M12F05-05X050PU05,0-GA-073461

Features

- › M12 female plug, 4-pin + PE
- › Straight plug connector
- › PUR cable
- › Halogen-free
- › Cable length 5 m
- › With flying lead

› Cores color-coded

☑ Connection cable with angled plug connector M12, 5-pin, 5m



073462 C-M12F05-05X050PU05,0-GA-073462

☑ Features

- › M12 female plug, 4-pin + PE
- › Angled plug connector
- › PUR cable
- › Halogen-free
- › Cable length 5 m
- › With flying lead
- › Cores color-coded

Instructions

☑ Betriebsanleitung Positionsschalter NG...

	Doc. no.	Version	Language	Download
Betriebsanleitung Positionsschalter NG...	2032310	11-03/18		1.1 MB
Operating Instructions Position Switch NG...				
Mode d'emploi Interrupteurs de position NG...				
Istruzioni di impiego Finecorsa di posizione NG...				
Инструкция по эксплуатации Позиционные выключатели NG...	2032310	11-03/18		0.5 MB

CAD data

CAD data for this item on TraceParts