

## ITEM 090953 NG2RS-510

Description	Technical data	Accessories	Downloads
-------------	----------------	-------------	-----------



### Features

- › Plunger actuator RS (roller plunger, steel roller)
- › Plug connector SR6

### Switching element

**510** Snap-action switching contact 1 NC + 1 NO

### Adjustment options

Horizontal 4 x 90°

### Approvals



### Mechanical values and environment

Housing material	Anodized die-cast alloy
Weight	Net 0,3 kg
Ambient temperature	-25 ... 80 °C
Degree of protection	IP65
Mechanical life	30 x 10 <sup>6</sup>
Contact material	Silver alloy, gold flashed
Switching principle	Snap-action switching contact
Installation position	Any
Number of door position NC contacts	1
Number of door position NO contacts	1
Connection	1 x Plug connector SR6 <b>[1]</b>
Approach speed	max. 0,01 ... 20 m/min
Actuating element	Plain bearing metal Roller plunger <b>[2]</b>
Actuating force	15 ... 30 N

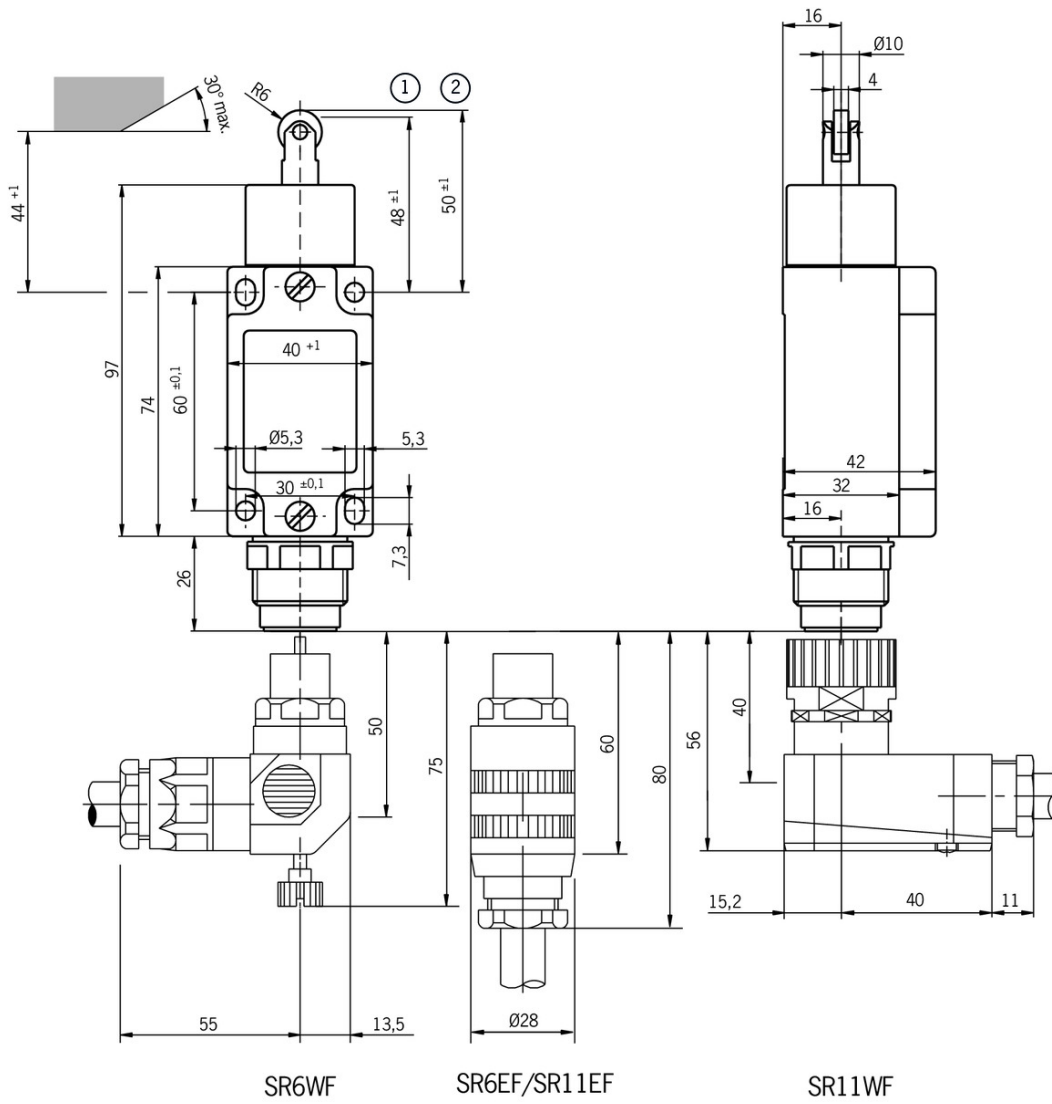
### Electrical connection ratings

Rated thermal current $I_{th}$	6 A
Utilization category according to EN 60947-5-1	AC-15 6A 230V DC-13 6A 24V
Short circuit protection according to IEC 60269-1	(Fuse) 6A gG
Rated insulation voltage $U_i$	250 V
Rated impulse withstand voltage $U_{imp}$	2,5 kV
Switching current	Min. at DC 24V 10 mA

**[1]** 6-pin + PE

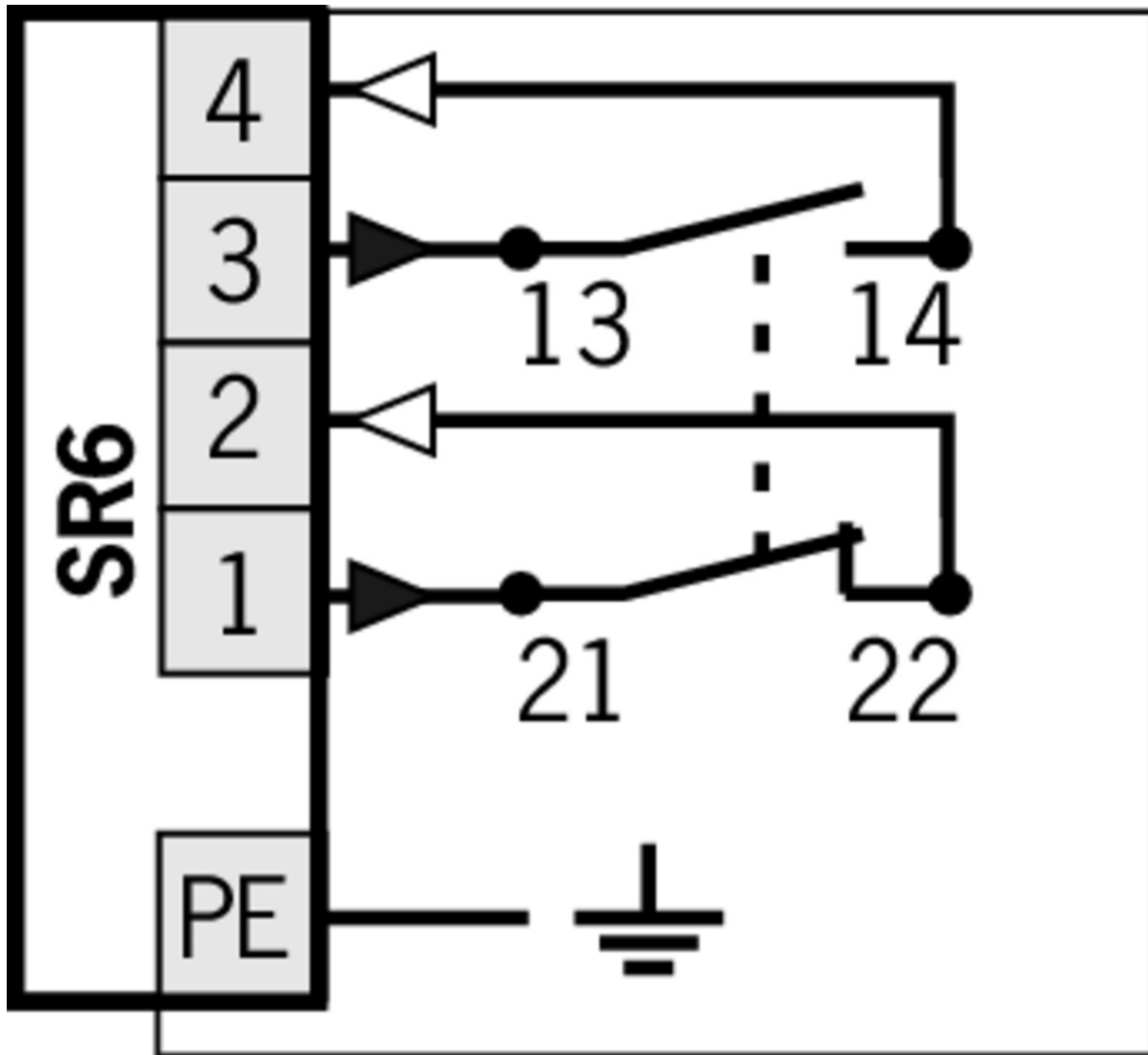
**[2]** d roller = 12 mm

## Dimension drawing



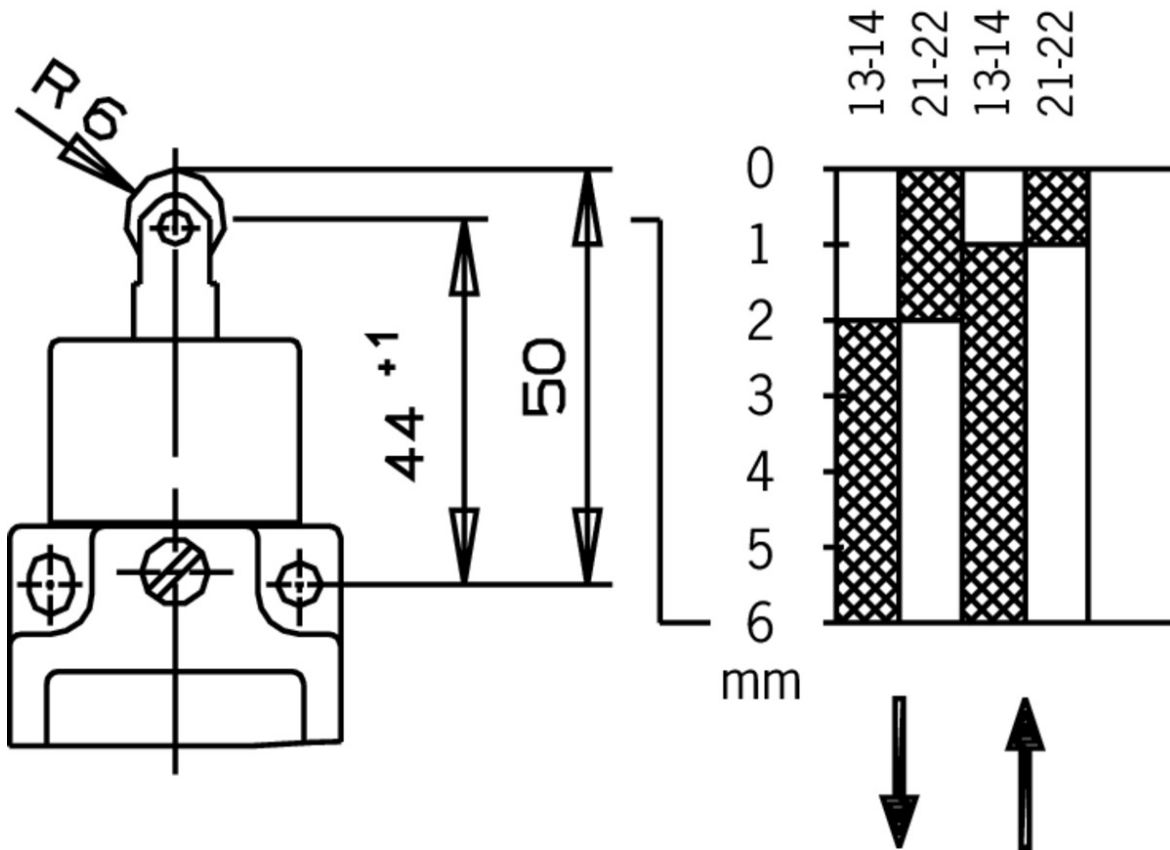
## Legende

- 1 Operating point
- 2 Free position

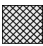



## Travel diagram


# ES510



## Legende


-  Contacts closed
-  Contacts open

## Connection material

-  Plug connector SR6




**013176** SR6EF

-  Features
  - › Crimp contacts
  - › Coding shells



**024999** SR6WFG11R

-  Features

- › Socket crimp contacts
  - › 6-pin+PE
  - › Contact carrier can be adjusted in 7 outlet directions
- 

**013178** SR6K

▼ Features

- › Coding for plug connector SR6
  - › Coding shells
- 

**087180** SR6AM2-M20

▼ Features

- › Crimp contacts
  - › Male socket
- 

▼ Connection cable with plug connector SR6, 5m



**077632** C-M26F07-07X1,0PU05,0-MA-077632

▼ Features

- › Female plug SR6, 6-pin + PE
  - › Straight plug connector
  - › PUR cable
  - › Cable length 5 m
  - › With flying lead
- 

▼ Connection cable with plug connector SR6, 10m



**077633** C-M26F07-07X1,0PU10,0-MA-077633

▼ Features

- › Female plug SR6, 6-pin + PE
  - › Straight plug connector
  - › PUR cable
  - › Cable length 10 m
  - › With flying lead
- 

▼ Connection cable with plug connector SR6, 15m



**077634** C-M26F07-07X1,0PU15,0-MA-077634

▼ Features

- › Female plug SR6, 6-pin + PE
  - › Straight plug connector
  - › PUR cable
  - › Cable length 15 m
  - › With flying lead
- 

▼ Connection cable with plug connector SR6, 20m



**098128** C-M26F07-07X1,0PU20,0-MA-098128

▼ Features

- › Female plug SR6, 6-pin + PE
- › Straight plug connector
- › PUR cable

- › Cable length 20 m
- › With flying lead

▼ Connection cable with plug connector SR6, 5m, angled



**077638** C-R22F07-07X1,0PU05,0-MA-077638

▼ Features

- › Female plug SR6, 6-pin + PE
- › Angled plug connector
- › PUR cable
- › Cable length 5 m
- › With flying lead

▼ Connection cable with plug connector SR6, 10m, angled



**077639** C-R22F07-07X1,0PU10,0-MA-077639

▼ Features

- › Female plug SR6, 6-pin + PE
- › Angled plug connector
- › PUR cable
- › Cable length 10 m
- › With flying lead

▼ Connection cable with plug connector SR6, 15m, angled



**077640** C-R22F07-07X1,0PU15,0-MA-077640

▼ Features

- › Female plug SR6, 6-pin + PE
- › Angled plug connector
- › PUR cable
- › Cable length 15 m
- › With flying lead

## Instructions

▼ Betriebsanleitung Positionsschalter NG...

	Doc. no.	Version	Language	Download
Betriebsanleitung Positionsschalter NG...	2032310	11-03/18		1.1 MB
Operating Instructions Position Switch NG...				
Mode d'emploi Interrupteurs de position NG...				
Istruzioni di impiego Finecorsa di posizione NG...				
Инструкция по эксплуатации Позиционные выключатели NG...	2032310	11-03/18		0.5 MB

## CAD data

CAD data for this item on TraceParts