

## ITEM 094059 NG2SM-510SVM5

Description	Technical data	Accessories	Downloads
-------------	----------------	-------------	-----------



### Features

- › Pivoted lever arm SM (aluminum rod)
- › plug connector M12/SVM5

### Switching element

**510** Snap-action switching contact 1 NC + 1 NO

### Adjustment options

Horizontal 4 x 90°

### Approvals



### Mechanical values and environment

Housing material	Anodized die-cast alloy
Weight	
	Net 0,3 kg
Ambient temperature	-25 ... 80 °C
Degree of protection	IP67
Mechanical life	30 x 10 <sup>6</sup>
Contact material	Silver alloy, gold flashed
Switching principle	Snap-action switching contact
Installation position	Any
Number of door position NC contacts	1
Number of door position NO contacts	1
Connection	
	1 x Plug connector M12 <b>[1]</b>
Approach speed	
	max. 0,5 ... 60 m/min
Actuating element	Pivoted lever arm <b>[2]</b>
Actuating force	min.15 N

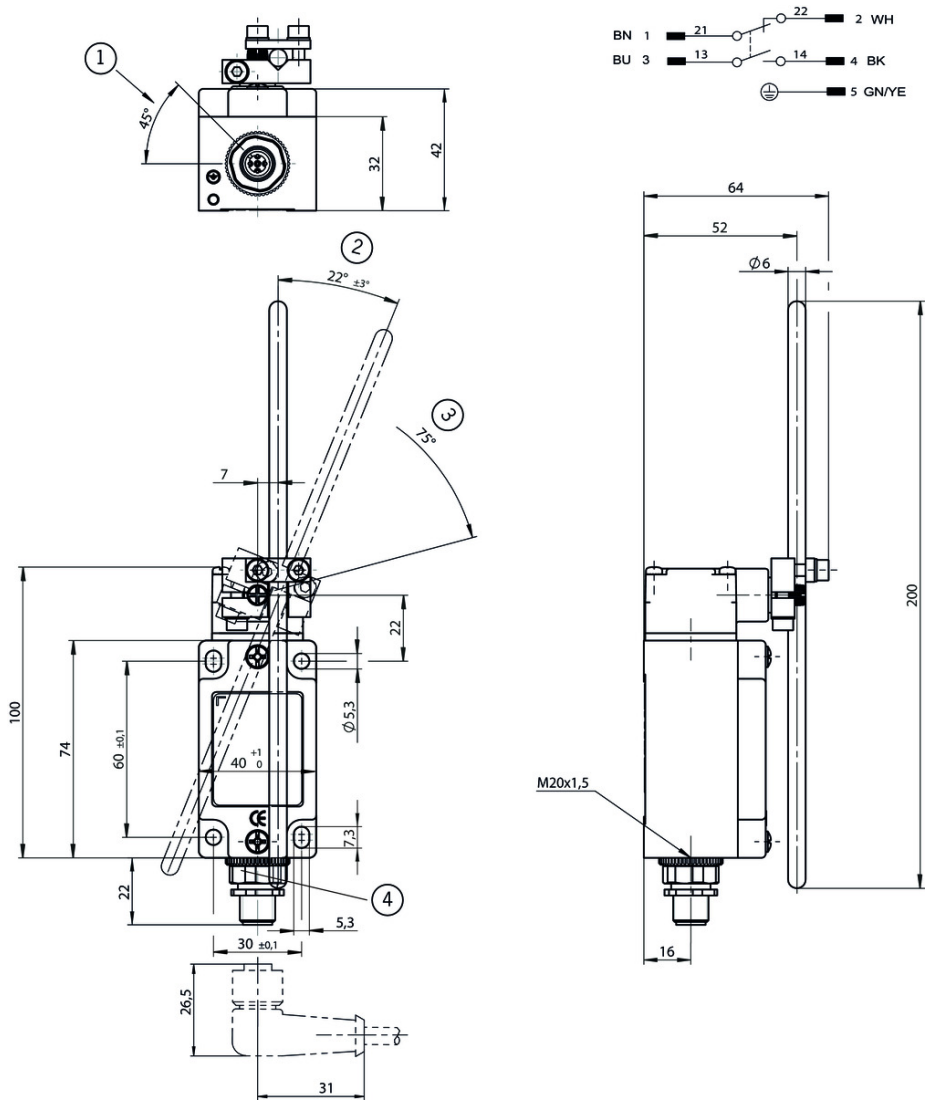
### Electrical connection ratings

Rated thermal current I <sub>th</sub>	4 A
Utilization category according to EN 60947-5-1	
	AC-15 4A 30V
	DC-13 4A 24V
Short circuit protection according to IEC 60269-1	
	(Fuse) 4A gG
Rated insulation voltage U <sub>i</sub>	50 V
Rated impulse withstand voltage U <sub>imp</sub>	1,5 kV
Switching current	
	Min. at DC 24V 10 mA

**[1]** 5-pin

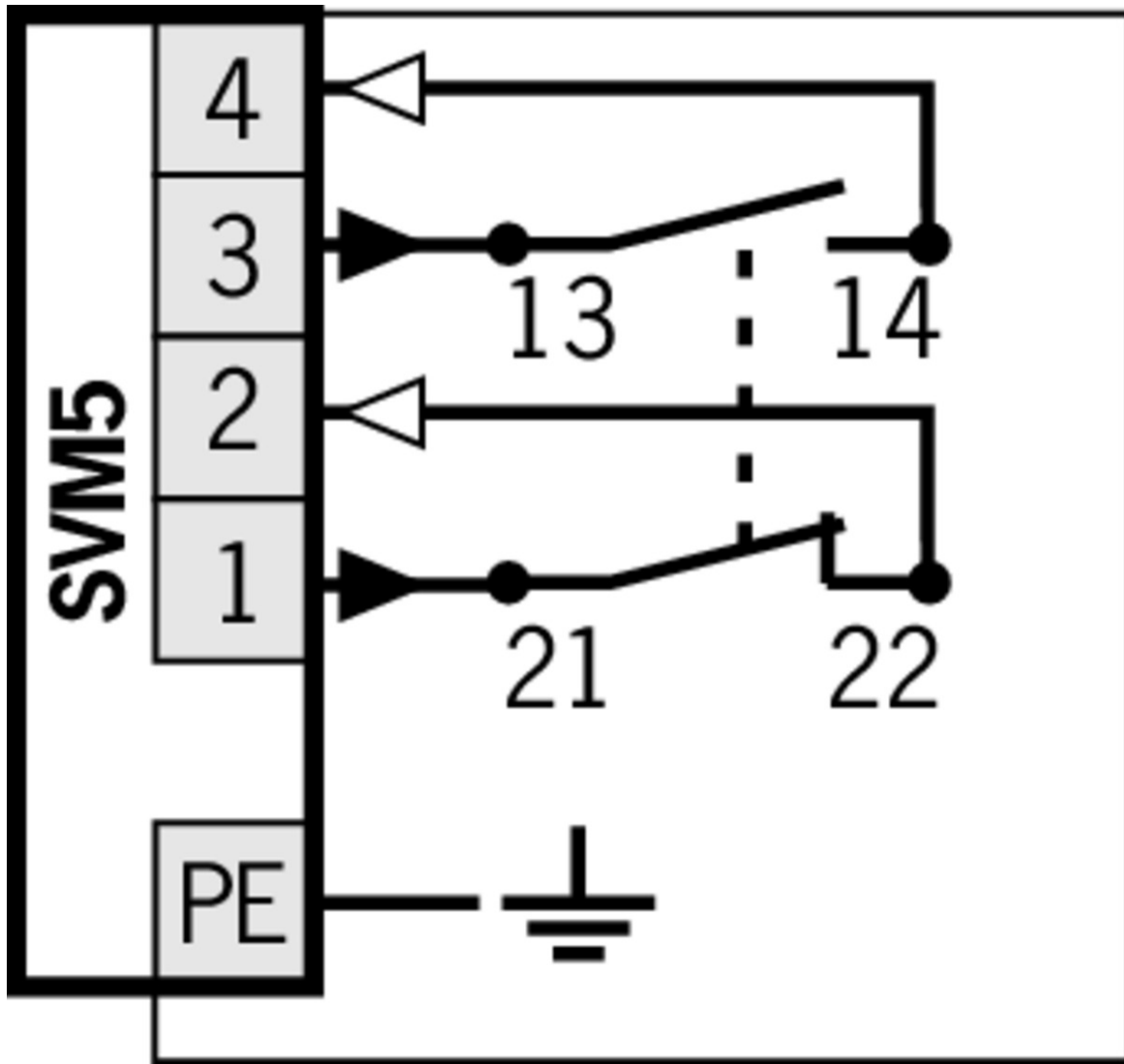
**[2]** Aluminum rod

## Dimension drawing



## Legende

- 1 Guide lug aligned
- 2 Operating point
- 3 Final position
- 4 Male socket adjustable (max. 270°)





- › PUR cable
- › Halogen-free
- › Cable length 5 m
- › With flying lead
- › Cores color-coded

▼ Connection cable with angled plug connector M12, 5-pin, 5m



**073462** C-M12F05-05X050PU05,0-GA-073462

▼ Features

- › M12 female plug, 4-pin + PE
- › Angled plug connector
- › PUR cable
- › Halogen-free
- › Cable length 5 m
- › With flying lead
- › Cores color-coded

## Instructions

▼ Betriebsanleitung Positionsschalter NG...

	Doc. no.	Version	Language	Download
Betriebsanleitung Positionsschalter NG...	2032310	11-03/18		1.1 MB
Operating Instructions Position Switch NG...				
Mode d'emploi Interrupteurs de position NG...				
Istruzioni di impiego Finecorsa di posizione NG...				
Инструкция по эксплуатации Позиционные выключатели NG...	2032310	11-03/18		0.5 MB