

ITEM 087163 N01R572-M

Description	Technical data	Accessories	Downloads
-------------	----------------	-------------	-----------



Features

- › Plunger material stainless steel
- › For temperatures up to 180 °C

Approvals



Mechanical values and environment

Housing material	Anodized die-cast alloy
Weight	Net 0,07 kg
Ambient temperature	-5 ... 125 °C [1]
Degree of protection	IP67
Mechanical life	0,5 x 10 ⁶

Contact material	Silver alloy, gold flashed
Switching principle	Changeover contact with snap-action function
Installation position	Any
Number of door position NC contacts	1 Changeover contact
Number of door position NO contacts	1 Changeover contact
Connection	1 x M12 x 1.5
Approach speed	max. 0,01 ... 50 m/min
Actuating element Plain bearing metal	Roller plunger [2]
Actuating force	15 ... 20 N

Electrical connection ratings

Rated thermal current I_{th}	5 A
Utilization category according to EN 60947-5-1	AC-15 4A 230V DC-13 1A 24V
Short circuit protection according to IEC 60269-1 (Fuse)	5A gG
Rated insulation voltage U_i	250 V
Rated impulse withstand voltage U_{imp}	2,5 kV
Switching current Min. at DC 12V	10 mA
Connection cross-section	0,14 ... 1 mm ² [3]

Reliability values acc. to EN ISO 13849-1

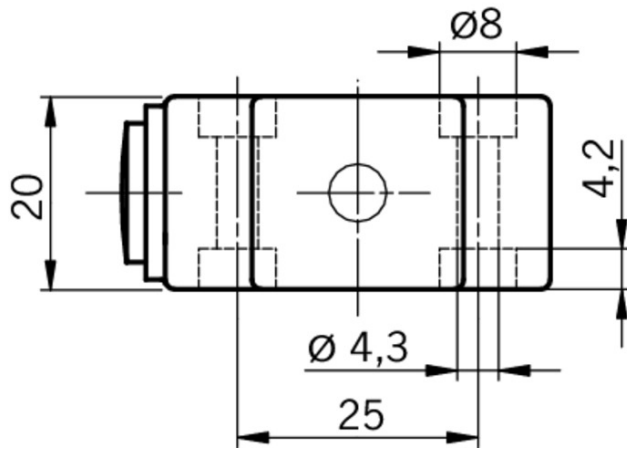
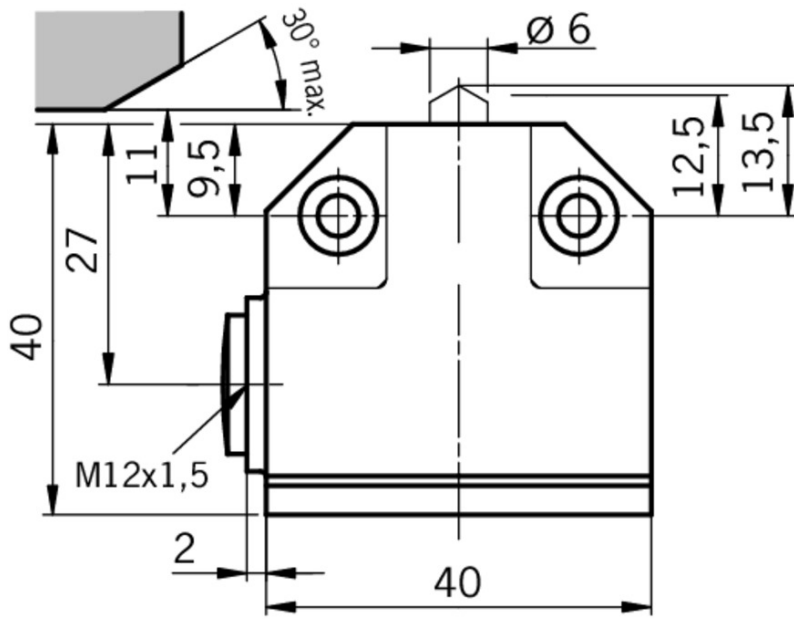
B10 _D	20 x 10 ⁶
------------------	----------------------

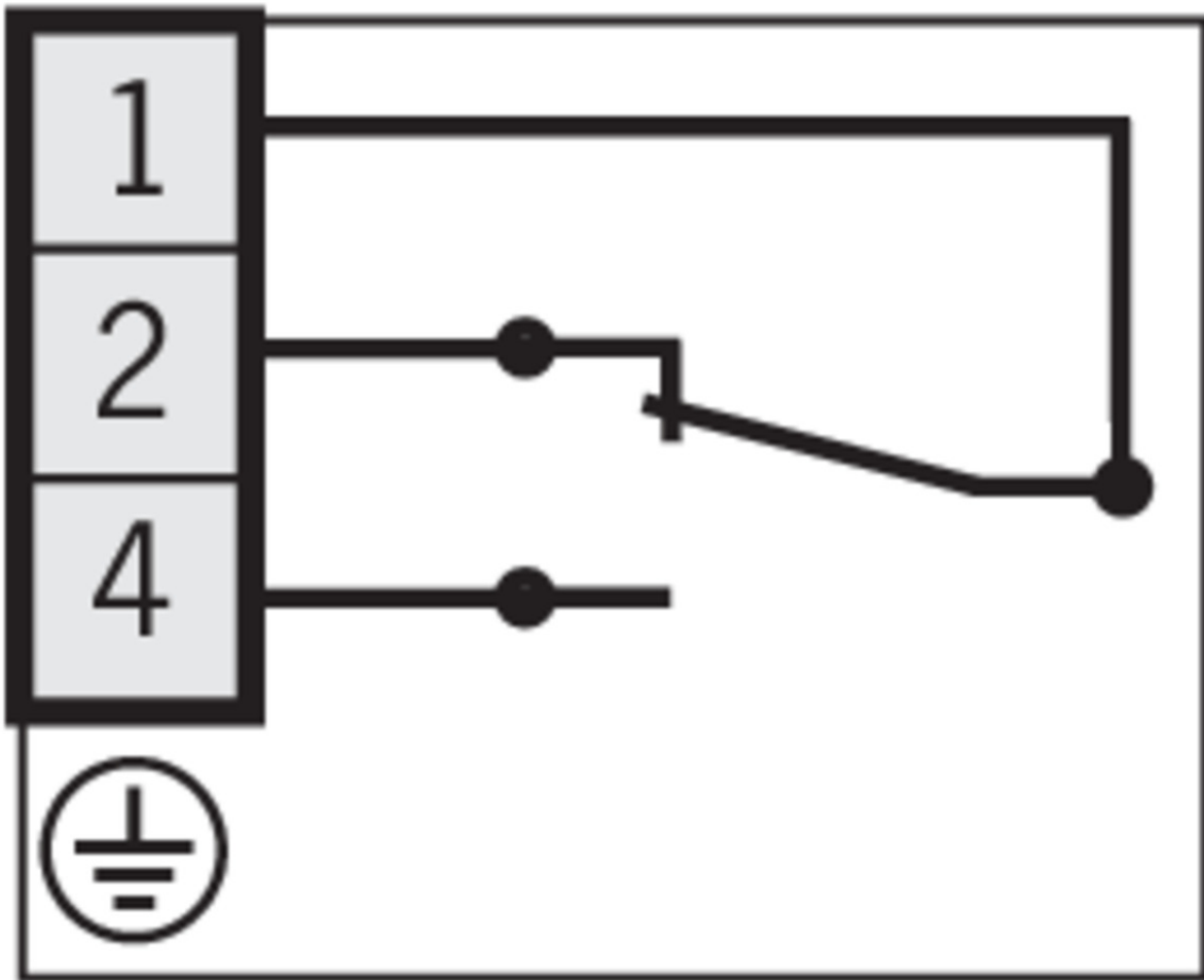
[1] Can be used at 180°C 200h

[2] D roller = 5 mm

[3] Soldered connection



Dimension drawing





Instructions







✓ Manual de instrucciones Finales de carrera unitarios de precisión N01/NB01/SN01

	Doc. no.	Version	Language	Download
Betriebsanleitung Präzisions-Einzelgrenztaster N01/NB01/SN01 Operating Instructions Precision Single Limit Switches N01/NB01/SN01	2105376	06-02/18	 	 0.9 MB
Mode d'emploi Monopistes de précision N01/NB01/SN01	2105376	06-02/18		 0.5 MB
Manual de instrucciones Finales de carrera unitarios de precisión N01/NB01/SN01	2105376	06-02/18		 0.5 MB
Istruzioni di impiego Finecorsa di precisione singoli N01/NB01/SN01	2105376	06-02/18		 0.5 MB

Catalogs

✓ Positionsschalter und Reihengrenztaster Position Switches and Multiple Limit Switches

Interrupteurs de position et boîtiers multipistes

	Doc. no.	Version	Language	Download
Positionsschalter und Reihengrenztaster	157835	01-03/18		 4.1 MB
Interrupteurs de position et boîtiers multipistes	157837	01-03/18		 4.1 MB
Position Switches and Multiple Limit Switches	157836	01-03/18		 4.1 MB

CAD data

CAD data for this item on TraceParts