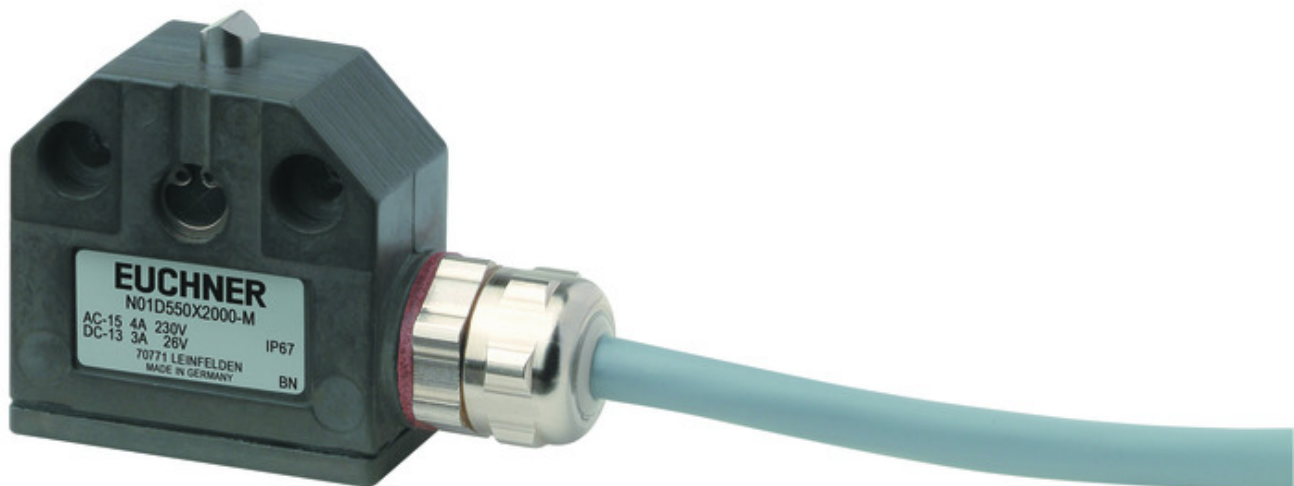


**ITEM 088982 N01R550X5000-M**

| Description | Technical data | Accessories | Downloads |
|-------------|----------------|-------------|-----------|
|-------------|----------------|-------------|-----------|



**Features**

- › Plunger material stainless steel
- › connection cable 5 m

**Approvals**



**Mechanical values and environment**

|                      |                            |
|----------------------|----------------------------|
| Housing material     | Anodized die-cast alloy    |
| Weight               | Net 0,5 kg                 |
| Ambient temperature  | -5 ... 80 °C               |
| Degree of protection | IP67                       |
| Mechanical life      | 10 x 10 <sup>6</sup>       |
| Contact material     | Silver alloy, gold flashed |

|                                     |   |
|-------------------------------------|---|
| Switching principle                 | Changeover contact with snap-action function      |
| Installation position               | Any   |
| Number of door position NC contacts | 1 Changeover contact                              |
| Number of door position NO contacts | 1 Changeover contact                              |
| Connection                          | 1 x Cable <sup>[1]</sup>                          |
| Approach speed                      | max. 0,01 ... 50 m/min                            |
| Actuating element                   | Plain bearing metal Roller plunger <sup>[2]</sup> |
| Actuating force                     | 15 ... 20 N                                       |

### Electrical connection ratings

|   |                               |
|---|-------------------------------|
| Rated thermal current $I_{th}$                    | 6 A                           |
| Utilization category according to EN 60947-5-1    | AC-15 2A 230V<br>DC-13 2A 24V |
| Short circuit protection according to IEC 60269-1 | (Fuse) 6A gG                  |
| Rated insulation voltage $U_i$                    | 250 V                         |
| Rated impulse withstand voltage $U_{imp}$         | 2,5 kV                        |
| Switching current                                 | Min. at DC 24V 10 mA          |
| Connection cross-section                          | 4x 0,5 mm <sup>2</sup>        |

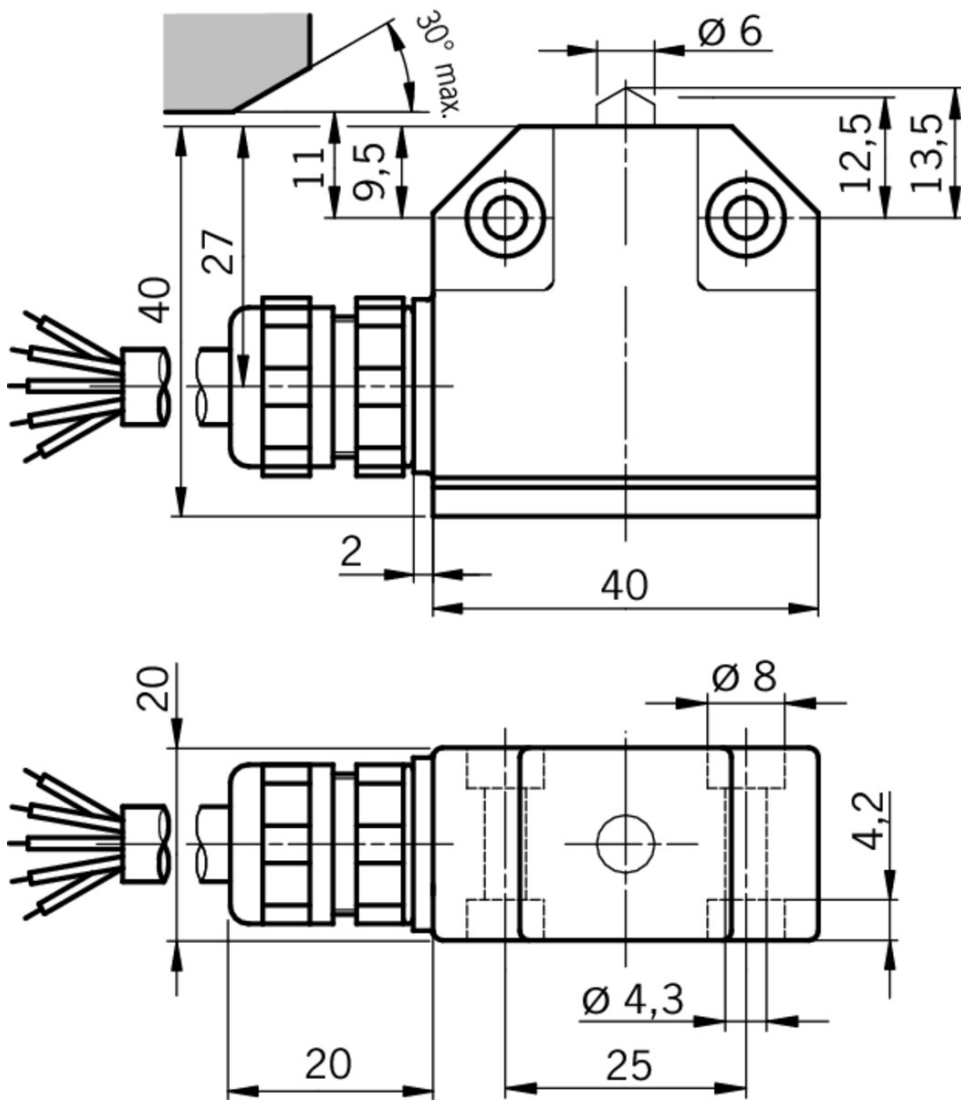
### Miscellaneous

|                    |                     |
|--------------------|---------------------|
| Additional feature | Connection cable 5m |
|--------------------|---------------------|

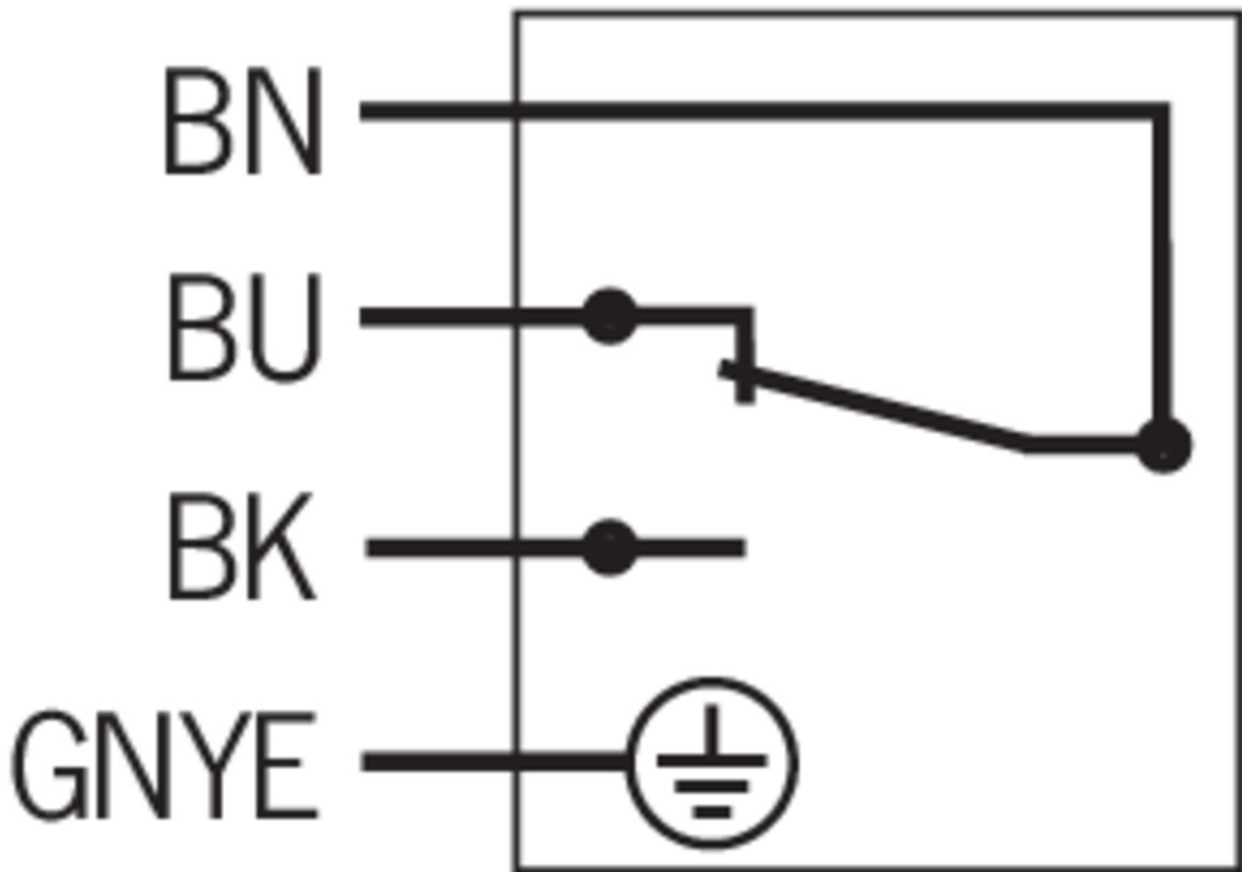
[1] 4-pin

[2] D roller = 5mm

Dimension drawing



## ES550



### Instructions

- Manual de instrucciones Finales de carrera unitarios de precisión N01/NB01/SN01

|  | Doc. no. | Version  | Language   | Download   |
|--|----------|----------|--|--|
| Betriebsanleitung Präzisions-Einzelgrenztaster N01/NB01/SN01<br>Operating Instructions Precision Single Limit Switches N01/NB01/SN01 | 2105376  | 06-02/18 | <br> |  0.9 MB |
| Mode d'emploi Monopistes de précision N01/NB01/SN01  | 2105376  | 06-02/18 |   |  0.5 MB |
| Manual de instrucciones Finales de carrera unitarios de precisión N01/NB01/SN01  | 2105376  | 06-02/18 |   |  0.5 MB |
| Istruzioni di impiego Finecorsa di precisione singoli N01/NB01/SN01  | 2105376  | 06-02/18 |   |  0.5 MB |

### Catalogs

- Positionsschalter und Reihengrenztaster Position Switches and Multiple Limit Switches  
Interrupteurs de position et boîtiers multipistes

Doc. no. Version Language Download

|   |        |          |   |  |
|---|--------|----------|---|--|
| Positionsschalter und Reihengrenztaster           | 157835 | 01-03/18 |   |  4.1 MB  |
| Interrupteurs de position et boîtiers multipistes | 157837 | 01-03/18 |  |  4.1 MB |
| Position Switches and Multiple Limit Switches     | 157836 | 01-03/18 |  |  4.1 MB |

### **CAD data**

CAD data for this item on TraceParts