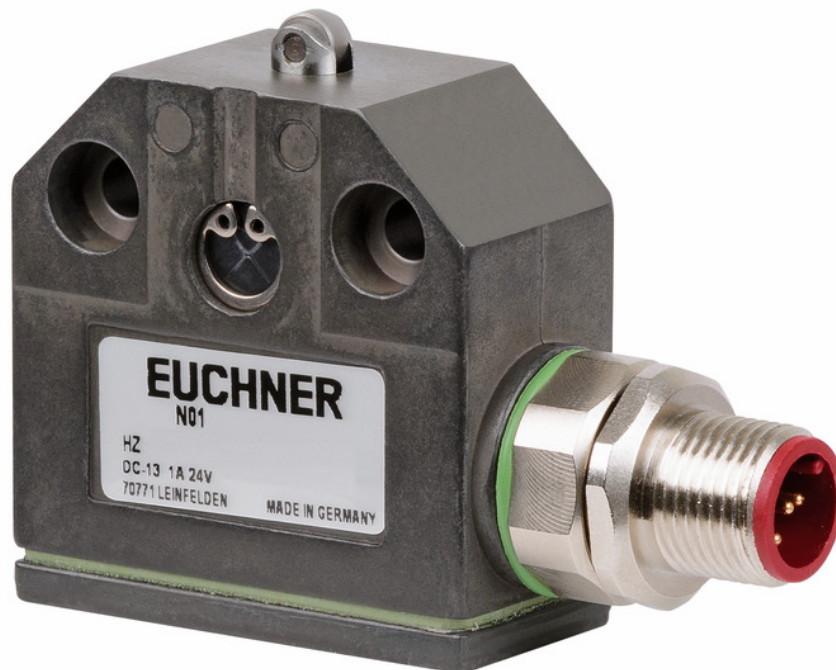


ITEM 128070 N01R593-MC2445

Description	Technical data	Accessories	Downloads
-------------	----------------	-------------	-----------



Features

- › For high temperature up to +125°C
- › Plunger material stainless steel

Approvals



Mechanical values and environment

Housing material	Die-cast aluminum, anodized
Weight	Net 0,07 kg
Ambient temperature	-5 ... 125 °C
Degree of protection	IP65
Mechanical life	0,5 x 10 ⁶

Contact material	Pure silver (Ag)
Switching principle	Changeover contact with snap-action function
Installation position	Any
Number of switching elements	1
Number of door position NC contacts	1
Number of door position NO contacts	1
Number of changeover contacts	1
Connection	1 x Plug connector M12 x 1, adjustable, high temperature [1]
Approach speed	max. 0,01 ... 50 m/min
Actuating element	Plain bearing metal Roller plunger
Roller diameter	5 mm
Actuating force	15 ... 20 N

Electrical connection ratings

Utilization category according to EN 60947-5-1	DC-13	1A 24V
Short circuit protection according to IEC 60269-1	(Fuse)	2A gG
Rated insulation voltage U_i		250 V
Rated impulse withstand voltage U_{imp}		1,5 kV
Switching current	Min. at DC 24V	10 mA
Safety class		I

Miscellaneous

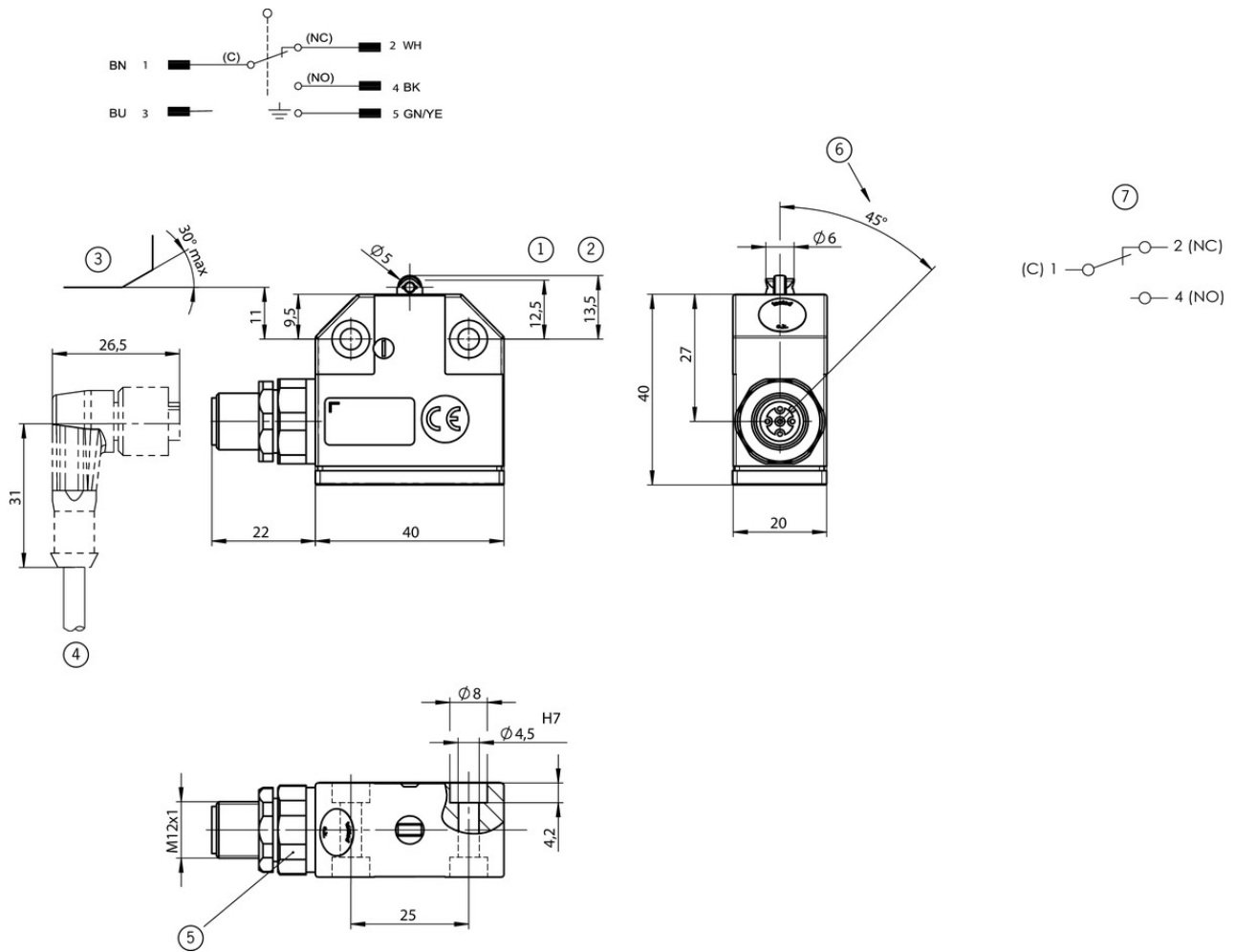
Additional feature	[2]
C number	[3]

[1] 5-pin

[2] TPE (PUR) High-temperature cable for temperatures up to 100 ° C - 30,000 h 125 ° C- 8,000 h / 150 ° C - 2,000 h to be ordered separately.

[3] With adjustable high-temperature connector. Switch for ambient temperature up to 125 ° C. With high-temperature grease, viton membranes and vitilayer seal

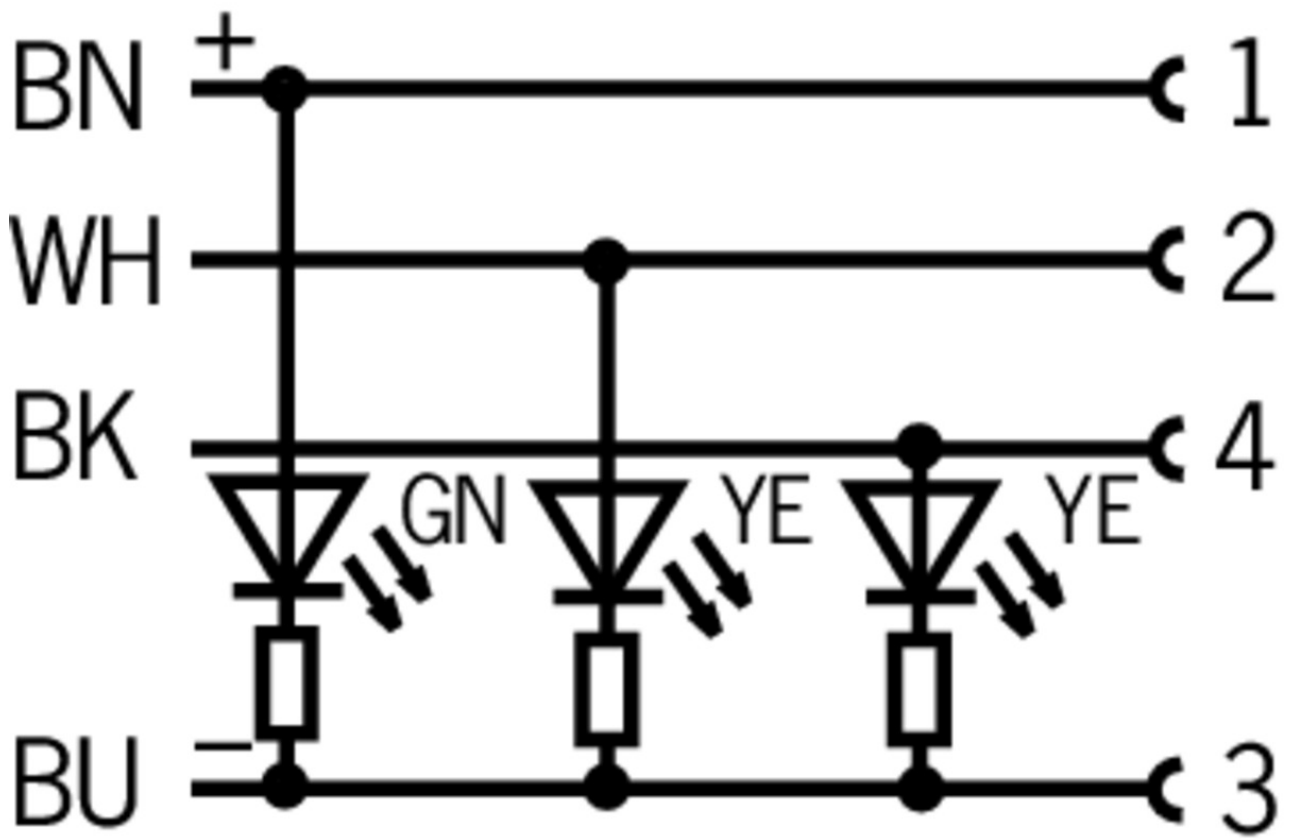
Dimension drawing



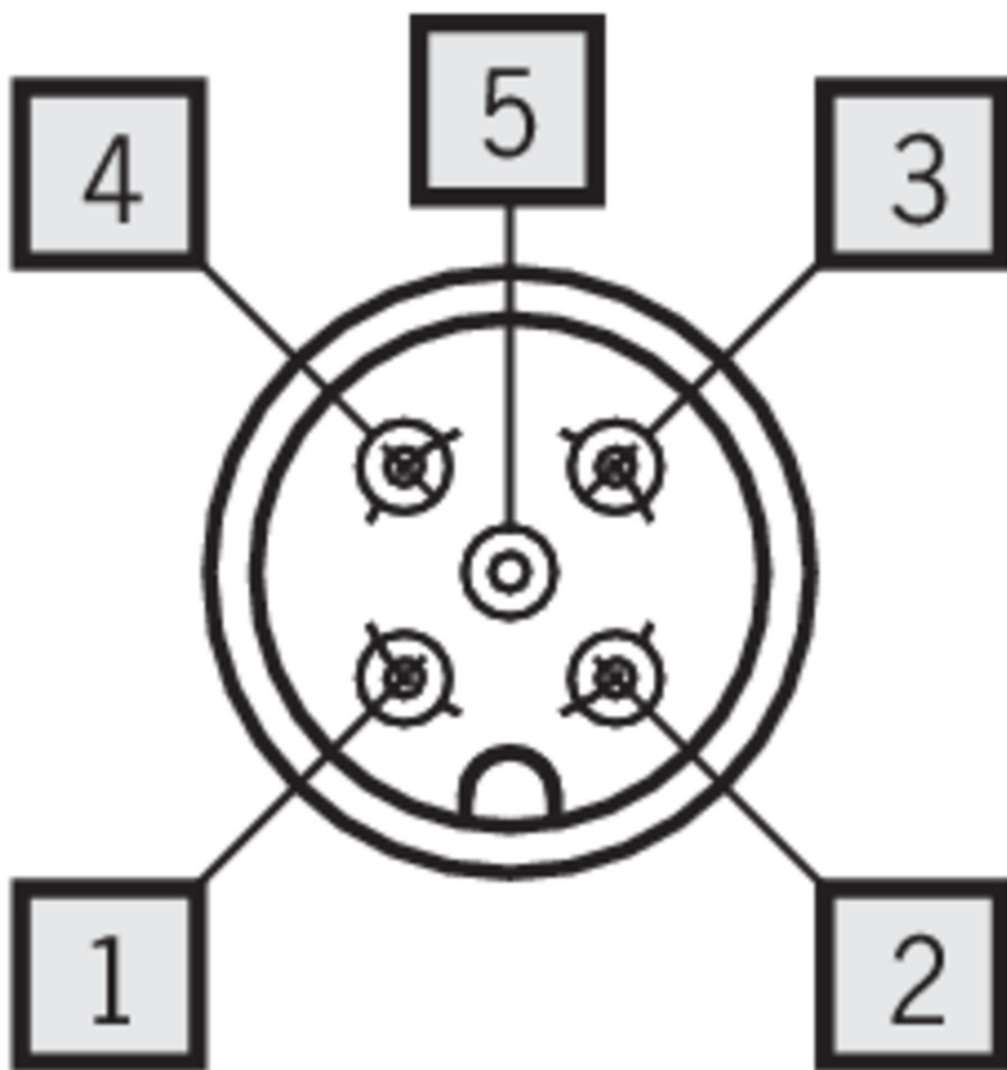
Legende

- 1 Operating point
- 2 Free position
- 3 Dog
- 4 Right-angle plug connector: Plug connector adjustable to a max. of 270°. Default setting for cable outlet downward.
- 5 Recommended torque 1-1.2 Nm
- 6 Guide lug aligned
- 7 Switching element: ES593 snap-action switching contact, 1 changeover contact

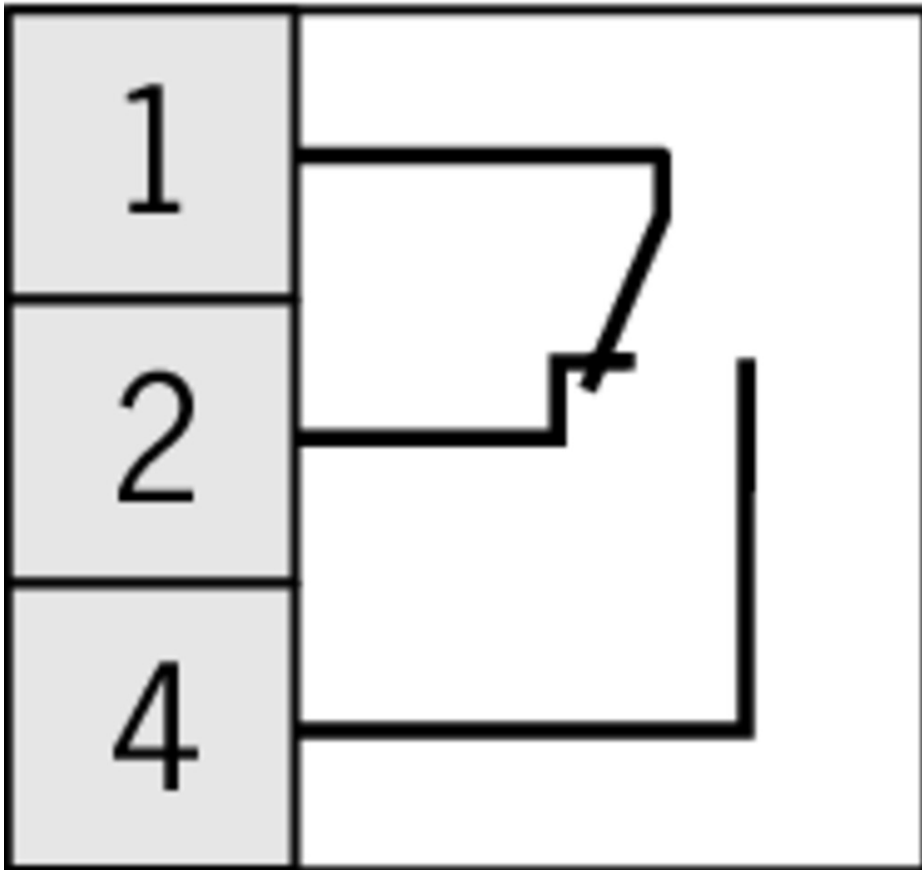
Wiring diagram



Wiring diagram



ES 593



Connection material

- Connection cable with straight plug connector M12, 5-pin, 5m



136960 C-M12F05-05X034PU05,0-GA-136960

- Features

- › For high temperature up to +150°C
- › M12 female plug, 5-pin
- › Straight plug connector
- › PUR cable
- › Cable length 5 m
- › With flying lead

- Connection cable with straight plug connector M12, 5-pin, 10m



136961 C-M12F05-05X034PU10,0-GA-136961

- Features

- › For high temperature up to +150°C
- › M12 female plug, 5-pin
- › Straight plug connector

- › PUR cable
- › Cable length 10 m
- › With flying lead

▼ Connection cable with angled plug connector M12, 5-pin, 5m



136962 C-M12F05-05X034PU05,0-GA-136962

▼ Features

- › For high temperature up to +150°C
- › M12 female plug, 5-pin
- › Angled plug connector
- › PUR cable
- › Cable length 5 m
- › With flying lead

▼ Connection cable with angled plug connector M12, 5-pin, 10m



136963 C-M12F05-05X034PU10,0-GA-136963

▼ Features

- › For high temperature up to +150°C
- › M12 female plug, 5-pin
- › Angled plug connector
- › PUR cable
- › Cable length 10 m
- › With flying lead



Instructions


▼ Manual de instrucciones Finales de carrera unitarios de precisión N01/NB01/SN01

	Doc. no.	Version	Language	Download
Betriebsanleitung Präzisions-Einzelgrentzaster N01/NB01/SN01 Operating Instructions Precision Single Limit Switches N01/NB01/SN01	2105376	06-02/18	 	 0.9 MB
Mode d'emploi Monopistes de précision N01/NB01/SN01	2105376	06-02/18		 0.5 MB
Manual de instrucciones Finales de carrera unitarios de precisión N01/NB01/SN01	2105376	06-02/18		 0.5 MB
Istruzioni di impiego Finecorsa di precisione singoli N01/NB01/SN01	2105376	06-02/18		 0.5 MB

Catalogs

▼ Positionsschalter und Reihengrenztafter Position Switches and Multiple Limit Switches
Interrupteurs de position et boîtiers multipistes

	Doc. no.	Version	Language	Download
Positionsschalter und Reihengrenztafter	157835	01-03/18		 4.1 MB

Interrupteurs de position et boîtiers multipistes	157837	01-03/18		 4.1 MB
Position Switches and Multiple Limit Switches	157836	01-03/18		 4.1 MB