

**ITEM 088587 N10RL-M**

Description	Technical data	Accessories	Downloads
-------------	----------------	-------------	-----------



**Features**

- › Plunger material stainless steel

*Similar to figure*

**Approvals**



**Mechanical values and environment**

Housing material	Anodized die-cast alloy
Weight	Net 0,2 kg
Ambient temperature	-5 ... 80 °C
Degree of protection	IP67
Mechanical life	30 x 10 <sup>6</sup>

Contact material	Silver alloy, gold flashed
Switching principle	Snap-action switching contact
Installation position	Any
Number of door position NC contacts	1
Number of door position NO contacts	1
Connection	3 x M20 x 1.5
Approach speed	max. 0,01 ... 20 m/min
Actuating element	Plain bearing metal Extended roller plunger <sup>[1]</sup>
Actuating force	min.20 N

### Electrical connection ratings

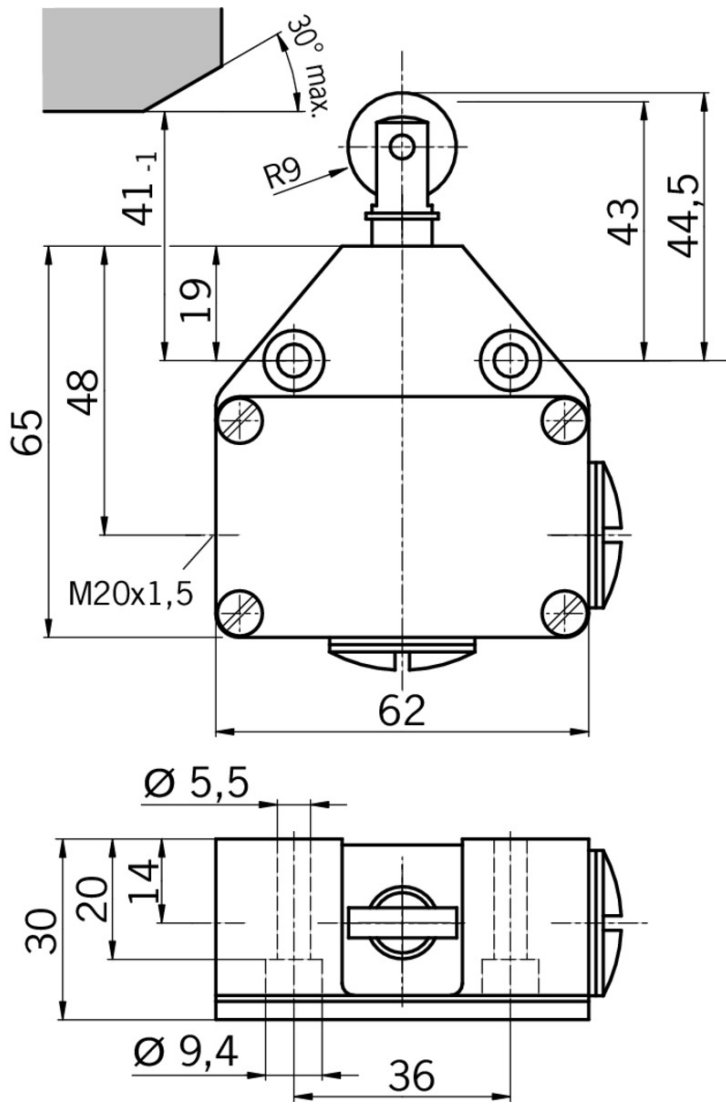
Rated thermal current $I_{th}$	10 A
Utilization category according to EN 60947-5-1	AC-15 10A 230V DC-13 6A 24V AC-12 16A 230V
Short circuit protection according to IEC 60269-1	(Fuse) 16A gG
Rated insulation voltage $U_i$	250 V
Rated impulse withstand voltage $U_{imp}$	2,5 kV
Switching current	Min. at DC 24V 20 mA
Connection cross-section	0,34 ... 1,5 mm <sup>2</sup>

### Reliability values acc. to EN ISO 13849-1

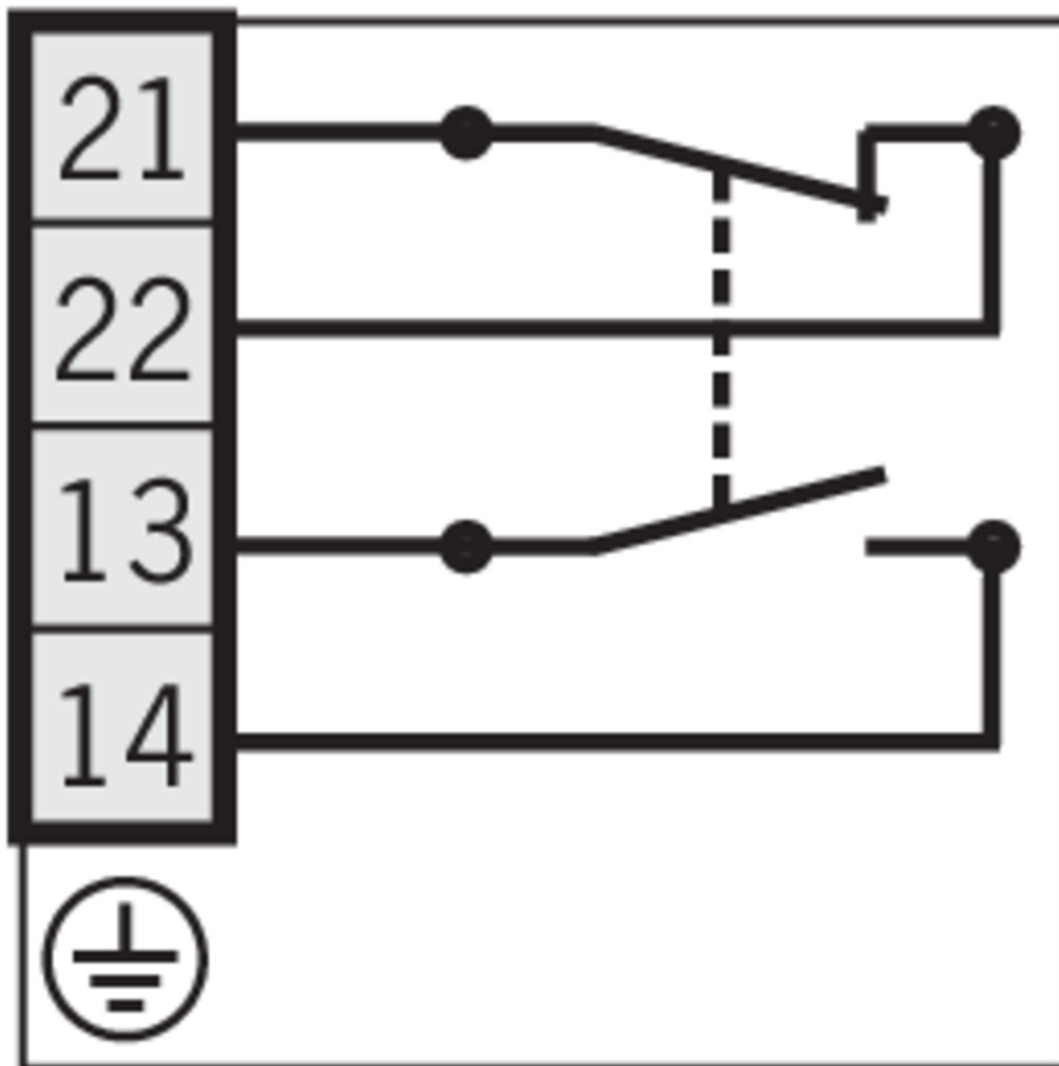
B10 <sub>D</sub>	20 x 10 <sup>6</sup>
------------------	----------------------

[1] D roller = 18mm

**Dimension drawing**



## ES502V



### Catalogs

- ✓ Positionsschalter und Reihengrenztaster Position Switches and Multiple Limit Switches  
Interrupteurs de position et boîtiers multipistes

	Doc. no.	Version	Language	Download
Positionsschalter und Reihengrenztaster	157835	01-03/18		4.1 MB
Interrupteurs de position et boîtiers multipistes	157837	01-03/18		4.1 MB
Position Switches and Multiple Limit Switches	157836	01-03/18		4.1 MB

### CAD data

CAD data for this item on TraceParts