

ITEM 088585 N11K-M

| Description | Technical data | Accessories | Downloads |
|-------------|----------------|-------------|-----------|
|-------------|----------------|-------------|-----------|



Features

- › Plunger material stainless steel

Approvals



Mechanical values and environment

| | |
|----------------------|----------------------------|
| Housing material | Anodized die-cast alloy |
| Weight | Net 0,2 kg |
| Ambient temperature | -5 ... 80 °C |
| Degree of protection | IP67 |
| Mechanical life | 30 x 10 ⁶ |
| Contact material | Silver alloy, gold flashed |

| | |
|-------------------------------------|-------------------------------|
| Switching principle | Snap-action switching contact |
| Installation position | Any |
| Number of door position NC contacts | 1 |
| Number of door position NO contacts | 1 |
| Connection | 3 x M20 x 1.5 |
| Approach speed | max. 0,01 ... 10 m/min |
| Actuating element | Ball plunger |
| Actuating force | min.20 N |

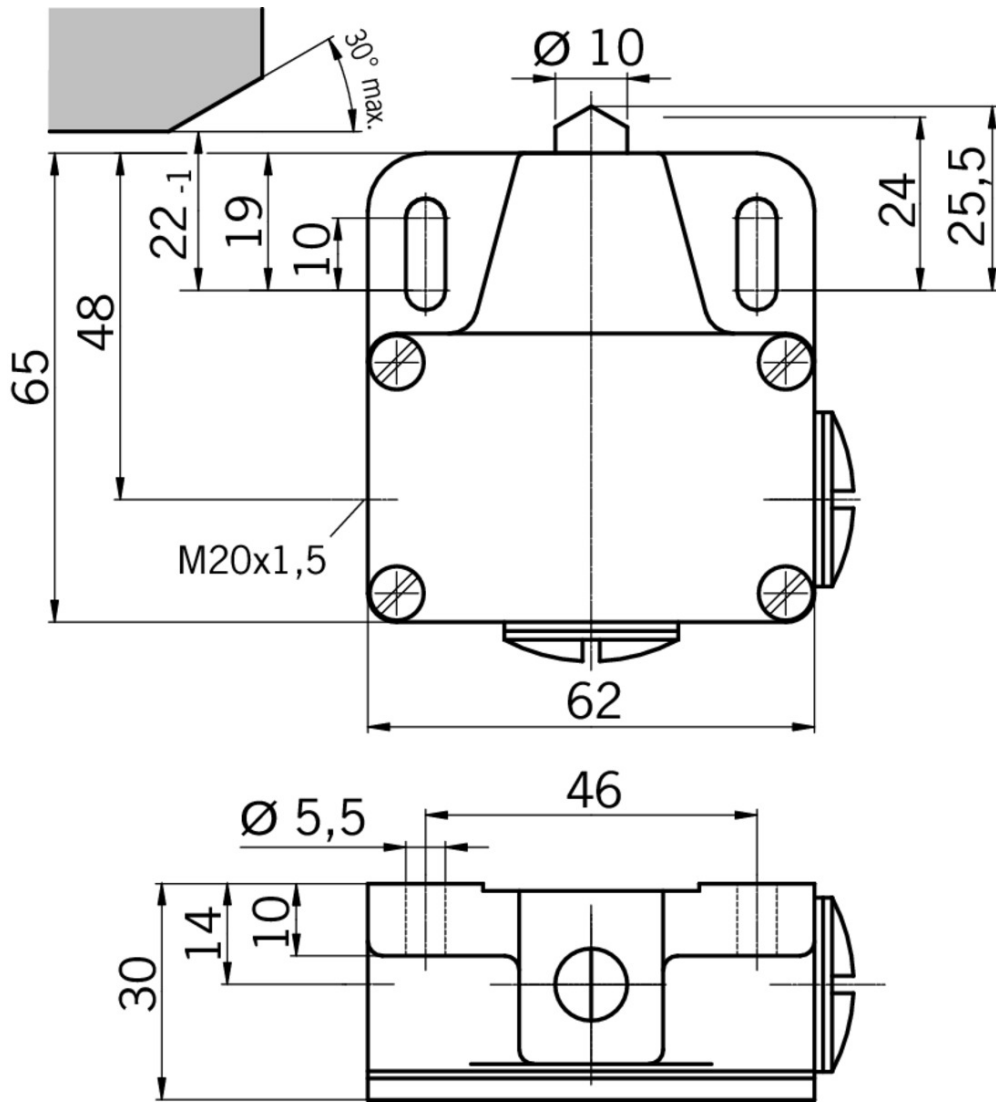
Electrical connection ratings

| | |
|---|--|
| Rated thermal current I_{th} | 10 A |
| Utilization category according to EN 60947-5-1 | AC-15 10A 230V DC-13 6A 24V AC-12 16A 230V |
| Short circuit protection according to IEC 60269-1 | (Fuse) 16A gG |
| Rated insulation voltage U_i | 250 V |
| Rated impulse withstand voltage U_{imp} | 2,5 kV |
| Switching current | Min. at DC 24V 20 mA |
| Connection cross-section | 0,34 ... 1,5 mm ² |

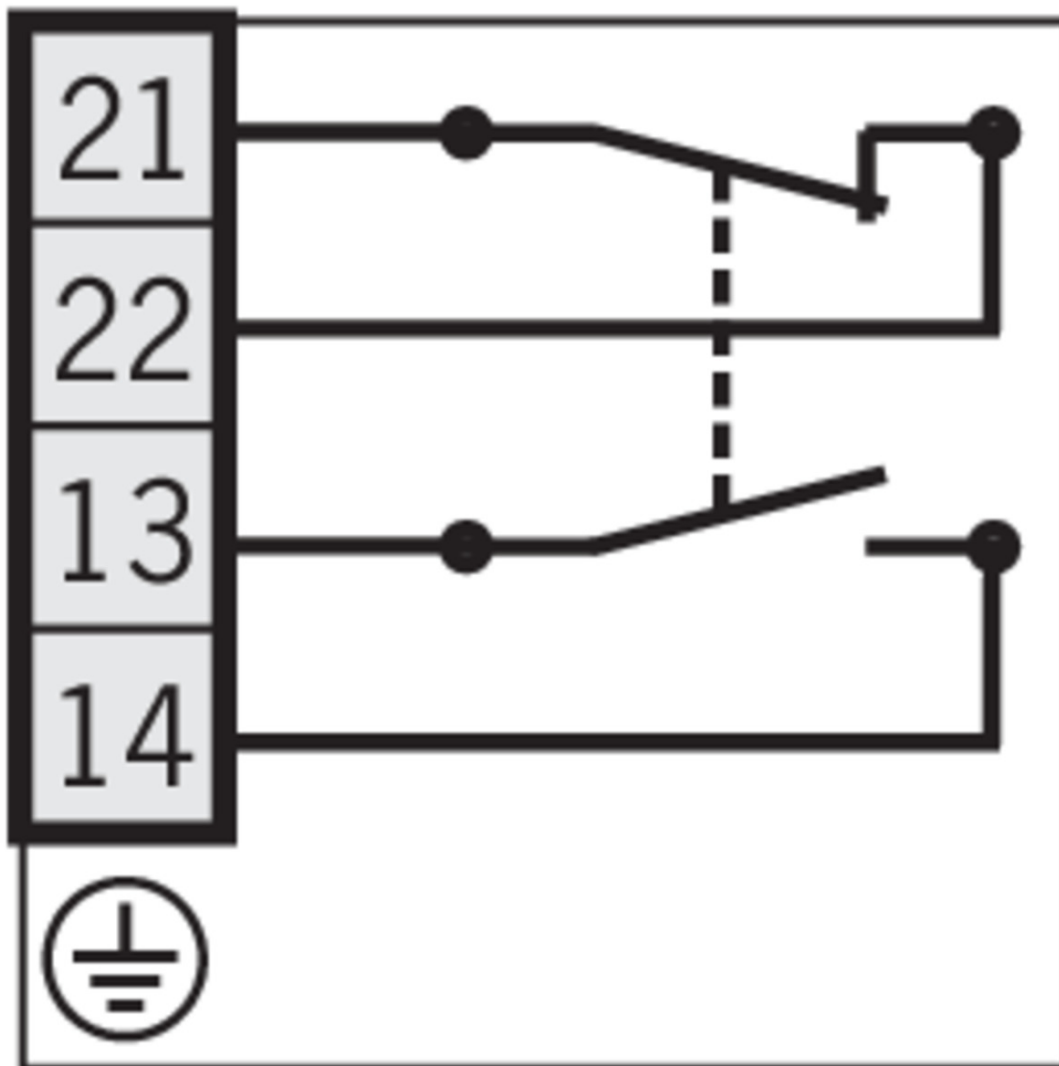
Reliability values acc. to EN ISO 13849-1

| | |
|------------------|----------------------|
| B10 _D | 20 x 10 ⁶ |
|------------------|----------------------|

Dimension drawing



ES502V



Catalogs

- ✓ Positionsschalter und Reihengrenztaster Position Switches and Multiple Limit Switches
Interrupteurs de position et boîtiers multipistes

| | Doc. no. | Version | Language | Download |
|---|----------|----------|----------|----------|
| Positionsschalter und Reihengrenztaster | 157835 | 01-03/18 | | 4.1 MB |
| Interrupteurs de position et boîtiers multipistes | 157837 | 01-03/18 | | 4.1 MB |
| Position Switches and Multiple Limit Switches | 157836 | 01-03/18 | | 4.1 MB |

CAD data

CAD data for this item on TraceParts