

**ITEM 086280 ENA10B050UP048LKK10-M**

Description	Technical data	Accessories	Downloads
-------------	----------------	-------------	-----------



**Features**

- › Housing according to DIN 43693
- › Rated operating distance 5 mm
- › LED function display optional

**Approvals**



**Mechanical values and environment**

Design	Housing according to DIN 43693
Material	
Active face	PBT
Housing material	Die-cast aluminum, anodized
Weight	

	Net	0,25 kg
Ambient temperature		-25 ... 70 °C
Degree of protection		IP67
Switching principle		NO + NC
Installation position		Any
Switching frequency		max.500 Hz
Connection		
	2 x	M16 x 1.5

### Electrical connection ratings

Operating voltage DC		10 ... 55 V DC
Rated operating current $I_e$		max.250 mA
Utilization category according to EN 60947-5-2		
	DC-13	DC-13
Short circuit and overload protection, pulsed		Yes
Rated insulation voltage $U_i$		
	DC	60 V
Reverse polarity protection		Yes
EMC protection requirements		IEC 60947-5-2
Type of output		PNP
No-load current $I_0$		max.15 mA
Off-state current $I_r$		max.0,001 mA
Voltage drop $U_d$		max.2,5 V
Connection cross-section		0,34 ... 1,5 mm <sup>2</sup>
LED indicator		No

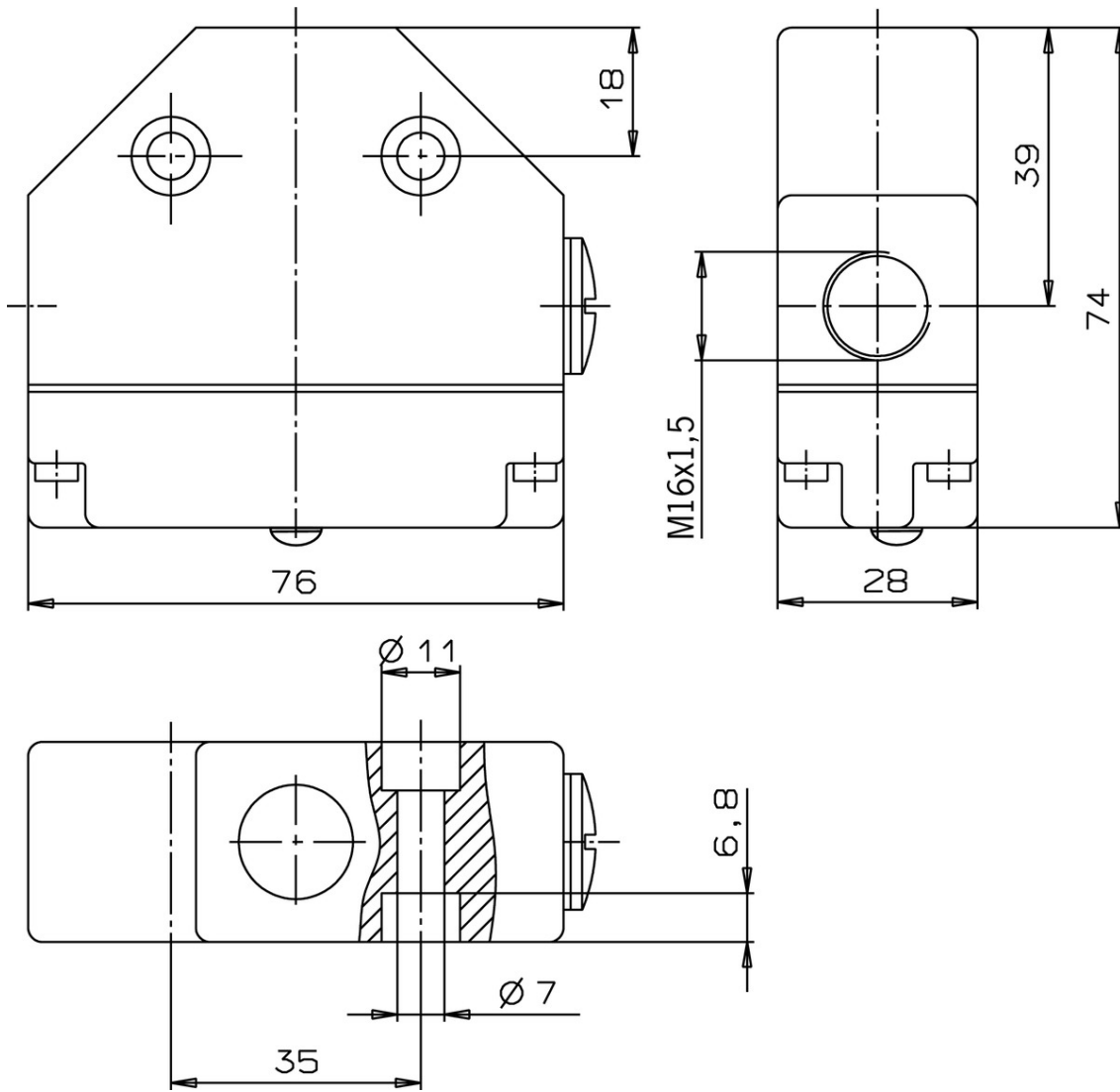
### Operating distance

Repeat accuracy R		
	According to EN 60947-5-2	max.5 %
Rated operating distance $S_n$		5 mm
Assured operating distance $S_a$		0 ... 4 mm
Switching hysteresis		max.0,5 mm

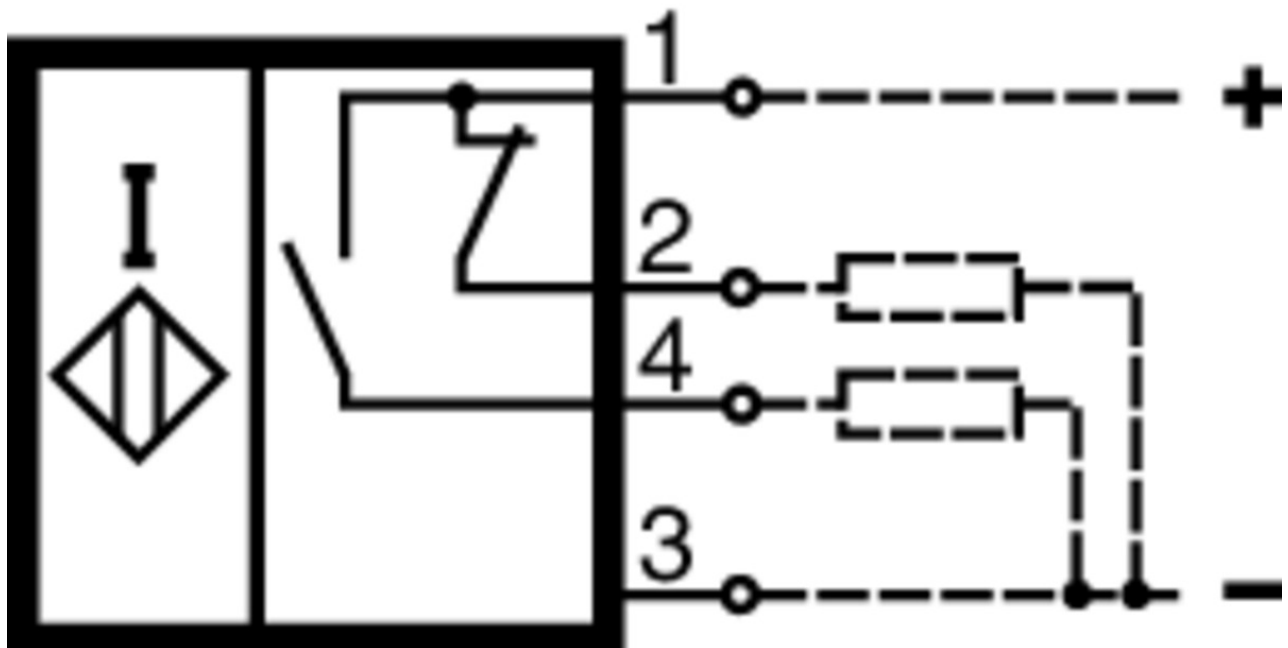
### Miscellaneous

Additional feature		
	Wire break safety	Yes

**Dimension drawing**



**DC NO + NC contact, PNP**



## **CAD data**

CAD data for this item on TraceParts