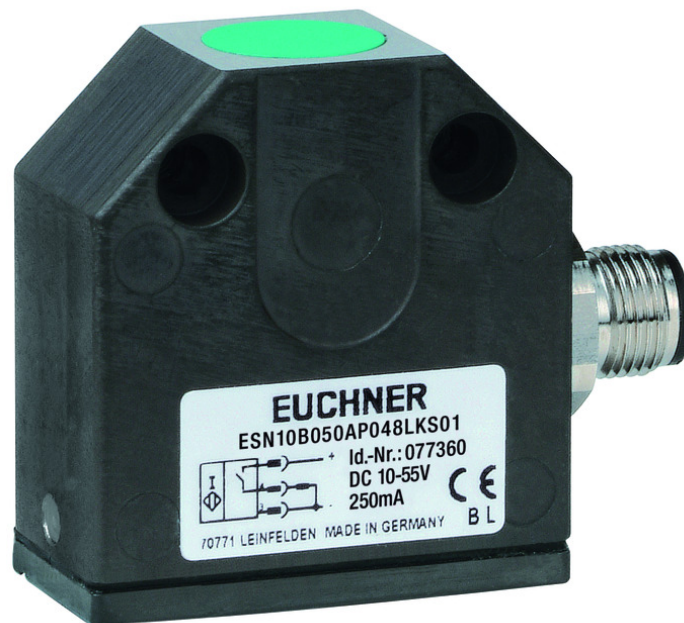


ITEM 088770 ESN10B050UP048LKS01-M

Description	Technical data	Accessories	Downloads
-------------	----------------	-------------	-----------



Features

- › Compact design with plug connector
- › Rated operating distance 5 mm
- › LED function display

Approvals



Mechanical values and environment

Material	
Material for the sensing face	PBT
Housing material	Die-cast aluminum, anodized
Weight	
Net	0,3 kg

Ambient temperature	-25 ... 70 °C [1]
Degree of protection	IP67 [2]
Mounting method	Flush, can be placed in a row
Switching frequency	max.500 Hz
Connection	Terminal plug 4-pin system S01 M12x1

Electrical connection ratings

Operating voltage DC	10 ... 55 V DC
Rated operating current I_e	250 mA
Utilization category according to EN 60947-5-2	
DC-12	[3]
Rated insulation voltage U_i	
DC	60 V
Residual ripple	max.10 %
Reverse polarity protection	Fitted
No-load current I_0	max.15 mA
Off-state current I_r	max.0,05 mA
Voltage drop U_d	
DC	max.2,5 V
LED indicator	LED function display (NO contact) yellow

Operating distance

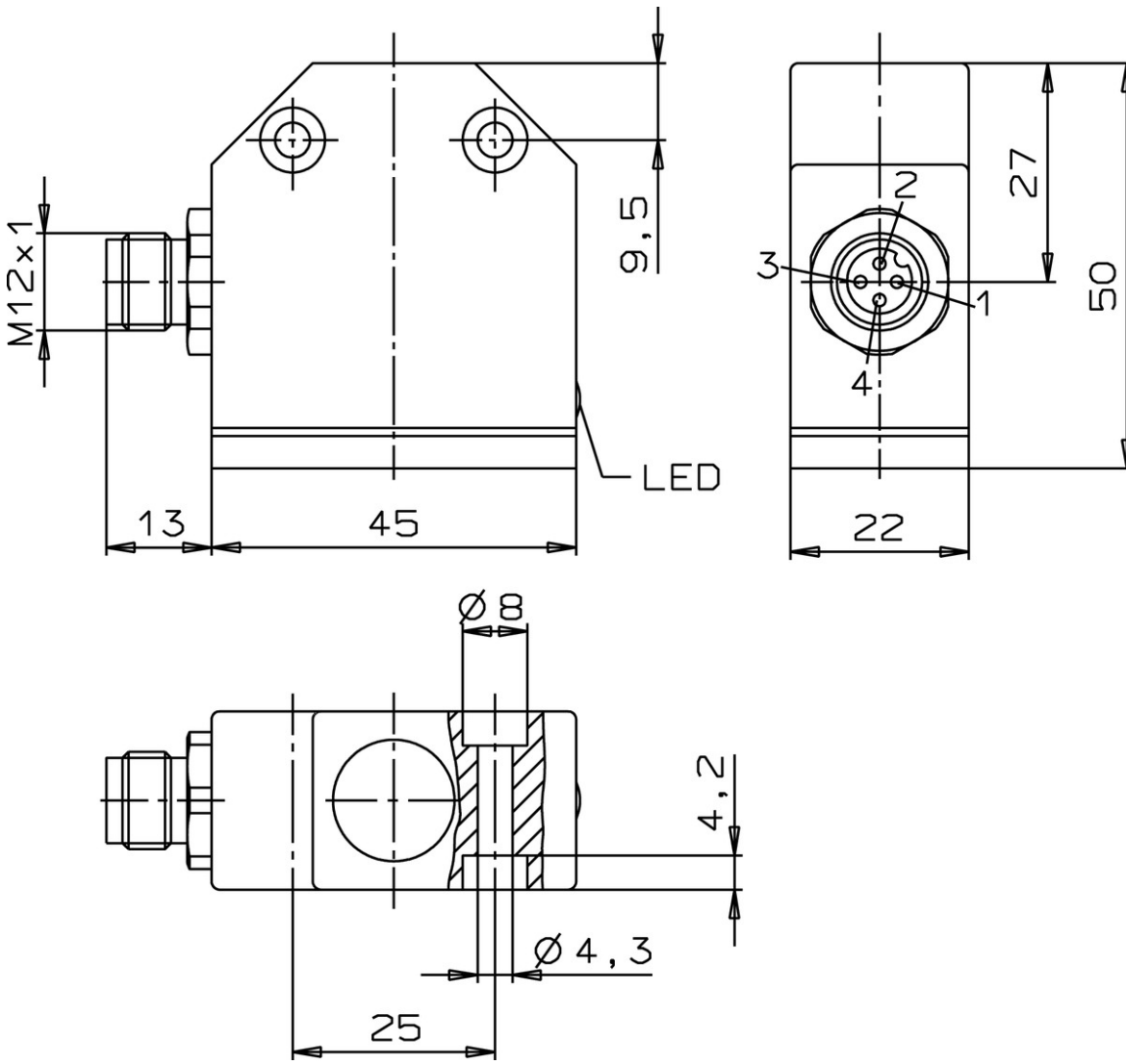
Repeat accuracy R	
According to EN 60947-5-2	max.5 %
Rated operating distance S_n	5 mm [4]
Assured operating distance S_a	0 ... 4 mm
Switching hysteresis	0,15 ... 0,75 mm

[1, 3] For utilization category DC-13 the output must be protected with a free-wheeling diode for inductive loads.

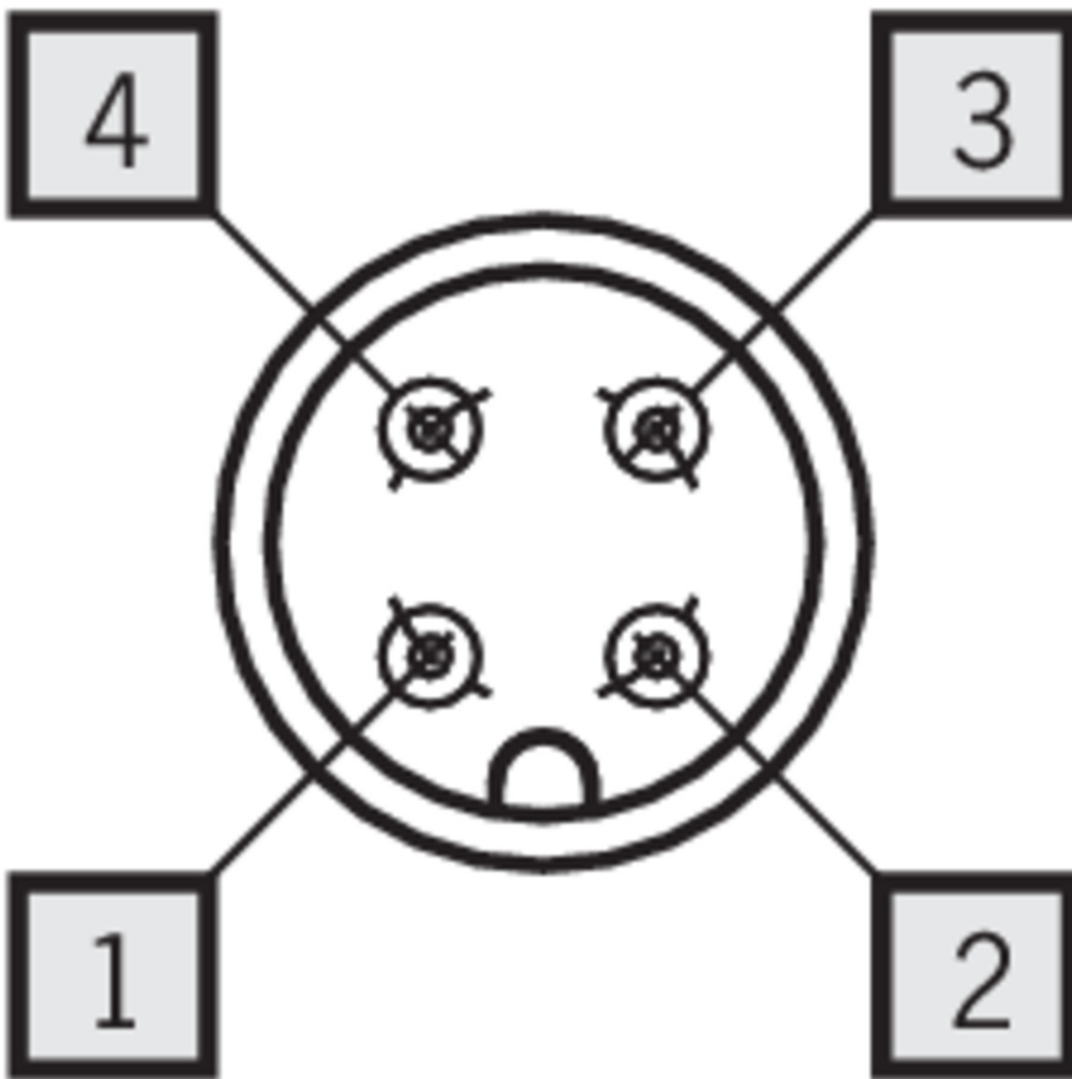
[2] Degree of protection only assured on usage of the plug connector stated in the Euchner catalog.

[4] Standard steel test plate 18X18X1 according to EN 60947-5-2

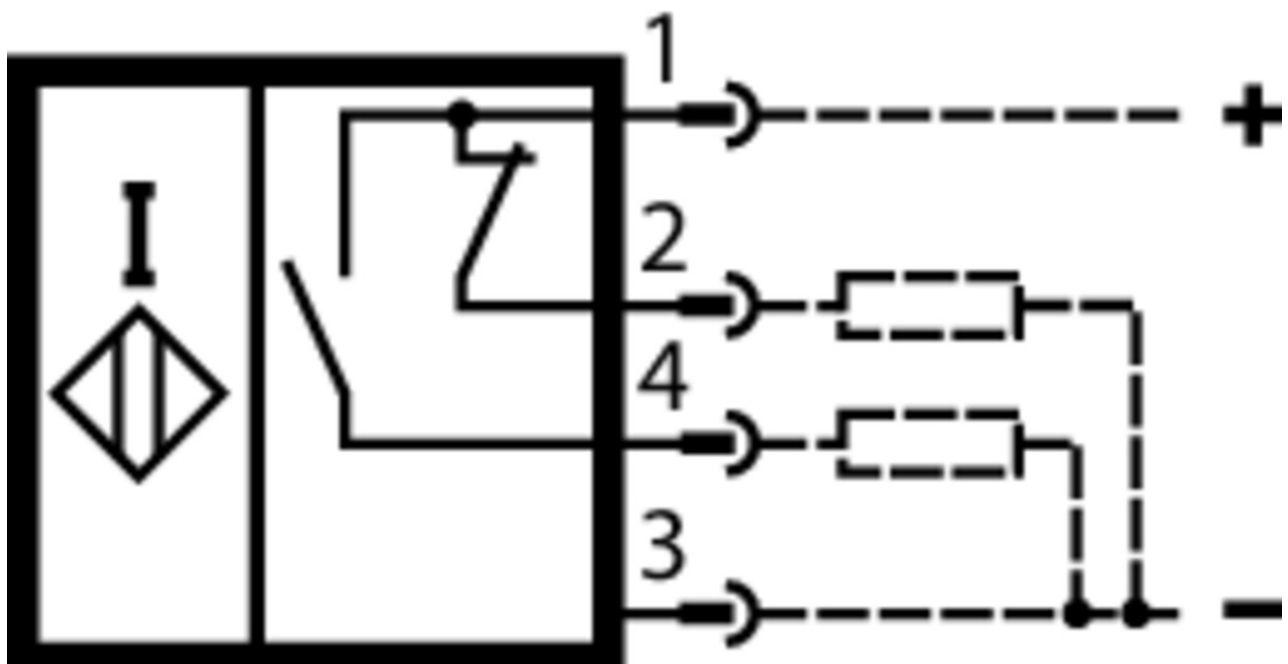
Dimension drawing



Wiring diagrams









DC NO + NC contact, PNP



Catalogs

- ✓ Positionsschalter und Reihengrenztaster Position Switches and Multiple Limit Switches
Interrupteurs de position et boîtiers multipistes

	Doc. no.	Version	Language	Download
Positionsschalter und Reihengrenztaster	157835	01-03/18		 4.1 MB
Interrupteurs de position et boîtiers multipistes	157837	01-03/18		 4.1 MB
Position Switches and Multiple Limit Switches	157836	01-03/18		 4.1 MB

CAD data

CAD data for this item on TraceParts