

ITEM 137610 MSM-1-N-AA-QQQ-B1-137610

Description	Technical data	Accessories	Downloads
-------------	----------------	-------------	-----------



Features

- › Function expansion for modules MGB2 and MCM
- › Connection type: N
- › Three cut-outs for slide-in labels
- › Incl. transparent label holder (AY-C-A1-156732)
- › Incl. slide-in labels

Approvals



Mechanical values and environment

Material	Fiber glass reinforced plastic
Weight	Net 0,05 kg
Ambient temperature	

At $U_B = 24V$ DC	-25 ... 55 °C
Resilience to vibration	In acc. with EN 60947-5-3
Installation position	Any

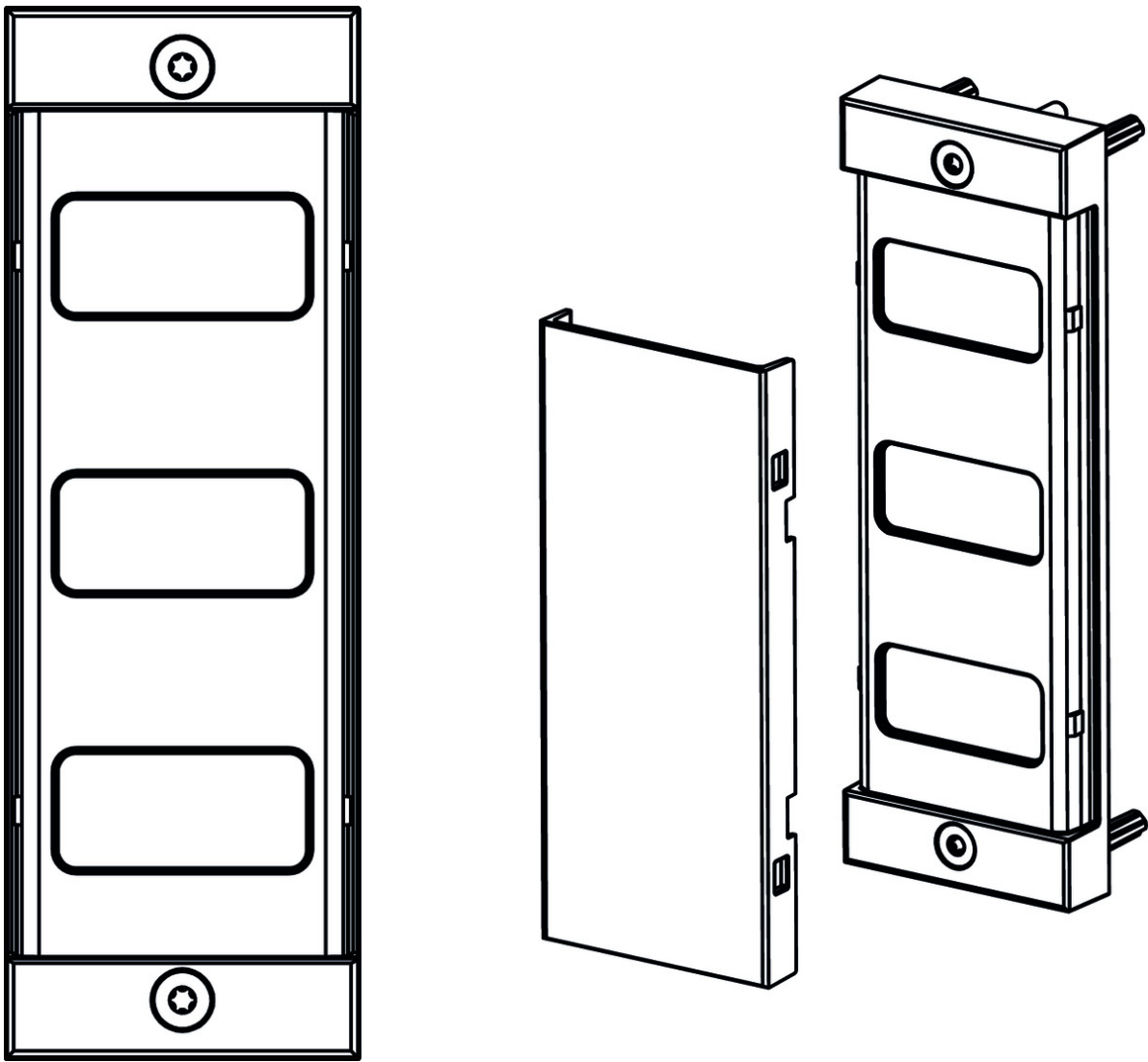
Controls and indicators

Control/indicator	
Version	Position for slide-in label
Item	S1
Control/indicator	
Version	Position for slide-in label
Item	S2
Control/indicator	
Version	Position for slide-in label
Item	S3

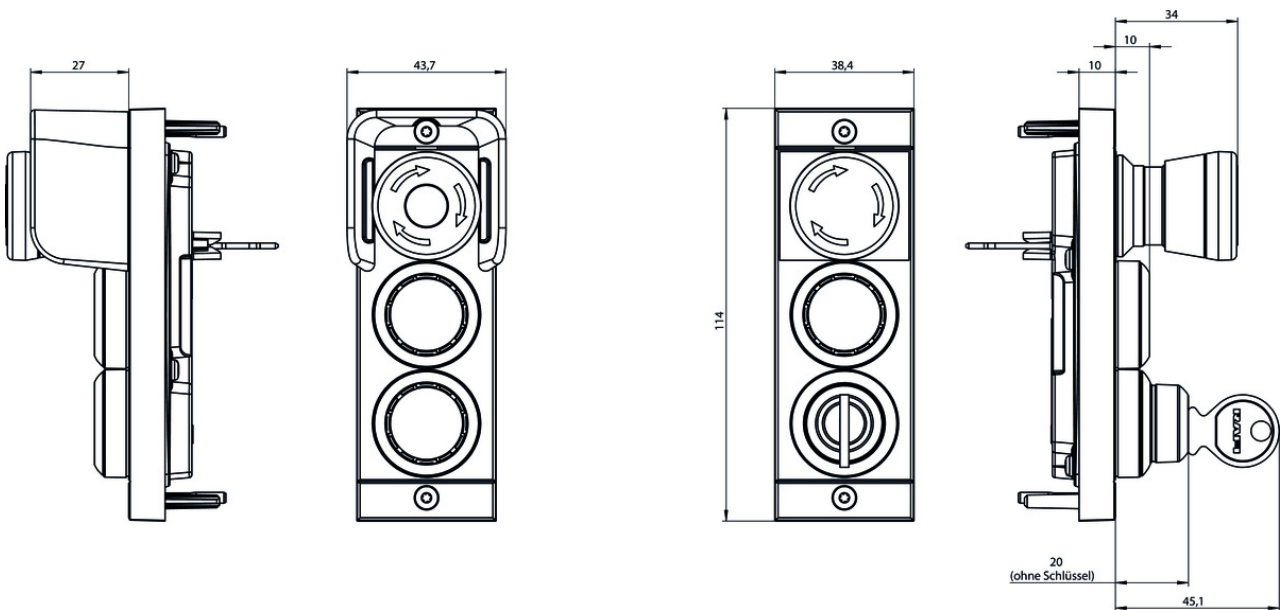
Miscellaneous

Slide-in label	3 pc. without marking
----------------	-----------------------

Dimension drawing



Dimension drawing



Miscellaneous accessories

- ▼ Adhesive labels









114529 MGB-A-PLATESET-NN01-114529

Features

- › Adhesive labels suitable for MGB evaluation modules, bus modules and control modules
 - › silver, blank
 - › Packaging unit = 10 pcs.
-

Catalogs

- › Multifunctional Gate Box MGB2 Modular Multifunctional Gate Box MGB2 Modular Multifunctional Gate Box MGB2 Modular Multifunctional Gate Box MGB2 Modular

	Doc. no.	Version	Language	Download
Multifunctional Gate Box MGB2 Modular	159037	02-09/18		 14.3 MB
Multifunctional Gate Box MGB2 Modular	159050	02-09/18		 14.4 MB
Multifunctional Gate Box MGB2 Modular	159051	02-09/18		 14.4 MB
Multifunctional Gate Box MGB2 Modular	159039	02-09/18		 14.4 MB