

**ITEM 137020 MSM-1-P-CS-B0P-A2-137020**

Description	Technical data	Accessories	Downloads
-------------	----------------	-------------	-----------



**Features**

- › Function expansion for modules MGB2 and MCM
- › Connection type: P
- › One illuminated emergency stop according to ISO 13850
- › One illuminated pushbutton
- › incl. lens set

**Approvals**



**Mechanical values and environment**

Material	Fiber glass reinforced plastic
Weight	Net 0,1 kg
Ambient temperature	

	At $U_B = 24V$ DC	-25 ... 55 °C
Degree of protection		IP 65 (IP 20) [1]
Resilience to vibration		In acc. with EN 60947-5-3
Installation position		Any
Reaction time		See operating instructions for bus module MBM-... or interlocking/locking module MGB2-I.-BR-... / MGB2-L.-BR-...

### Electrical connection ratings

	<b>Controls and indicators</b>	
Switching voltage		24 V
Switching current		5 ... 10 mA
Breaking capacity		max.0,25 W
Power supply LED		24 V DC
	<b>Illuminated emergency stop</b>	
Switching voltage		5 ... 24 V
Switching current		5 ... 100 mA
Breaking capacity		max.0,25 W
Power supply LED		24 V DC

### Controls and indicators

Control/indicator	
Designation	beleuchtet, mit Schutzkragen
Version	Emergency stop
Switching element	2 pos. driven NC
Item	S1
Control/indicator	
Version	Illuminated push buttons
Switching element	1NO
Item	S3

### Miscellaneous

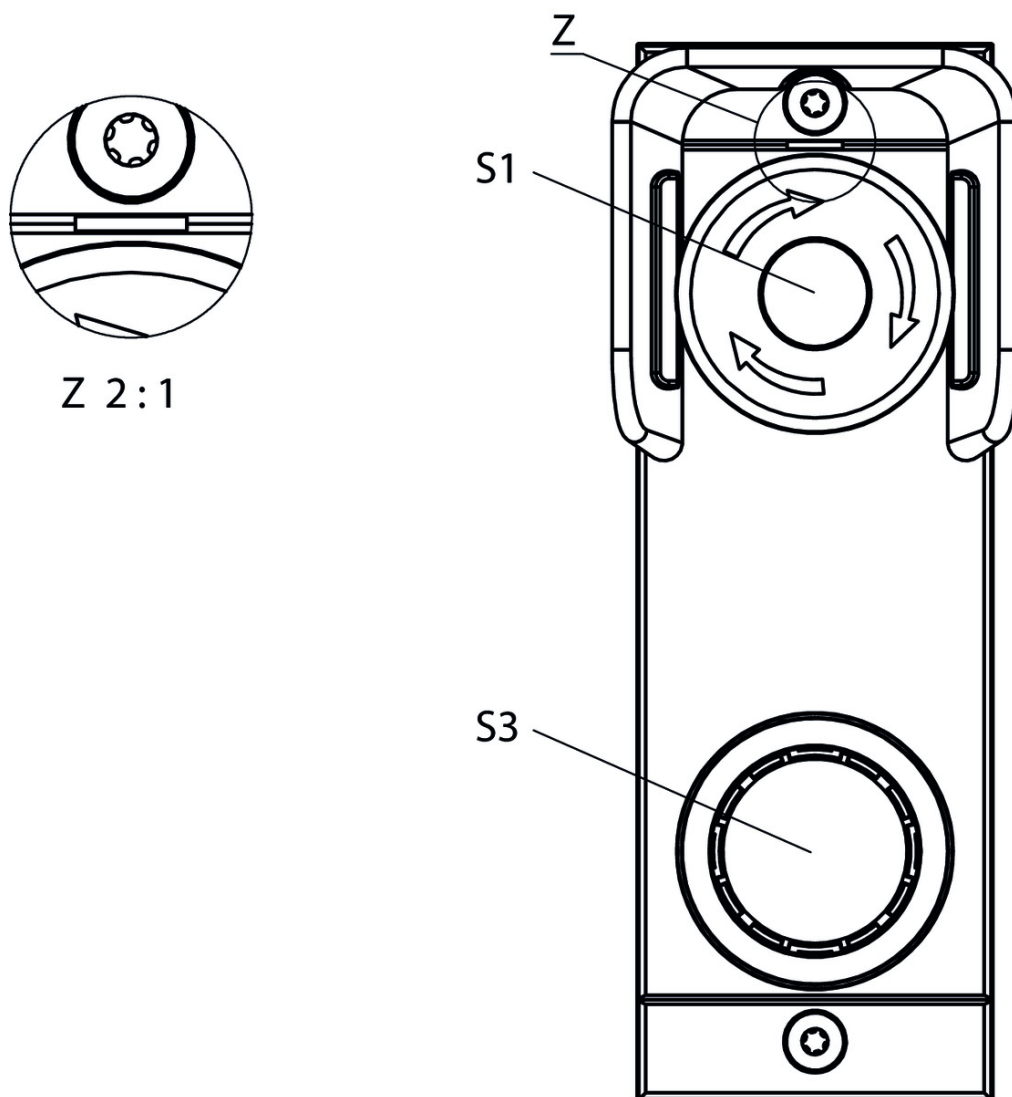
Additional feature	Incl. cover set ID. No. 120344
--------------------	--------------------------------

### Reliability values acc. to EN ISO 13849-1

	<b>Illuminated emergency stop</b>	
B10 <sub>D</sub>		
	Emergency stop	0,1 x 10 <sup>6</sup>

[1] IP 65: Only in the screwed tight state with the specified base modules.

### Dimension drawing



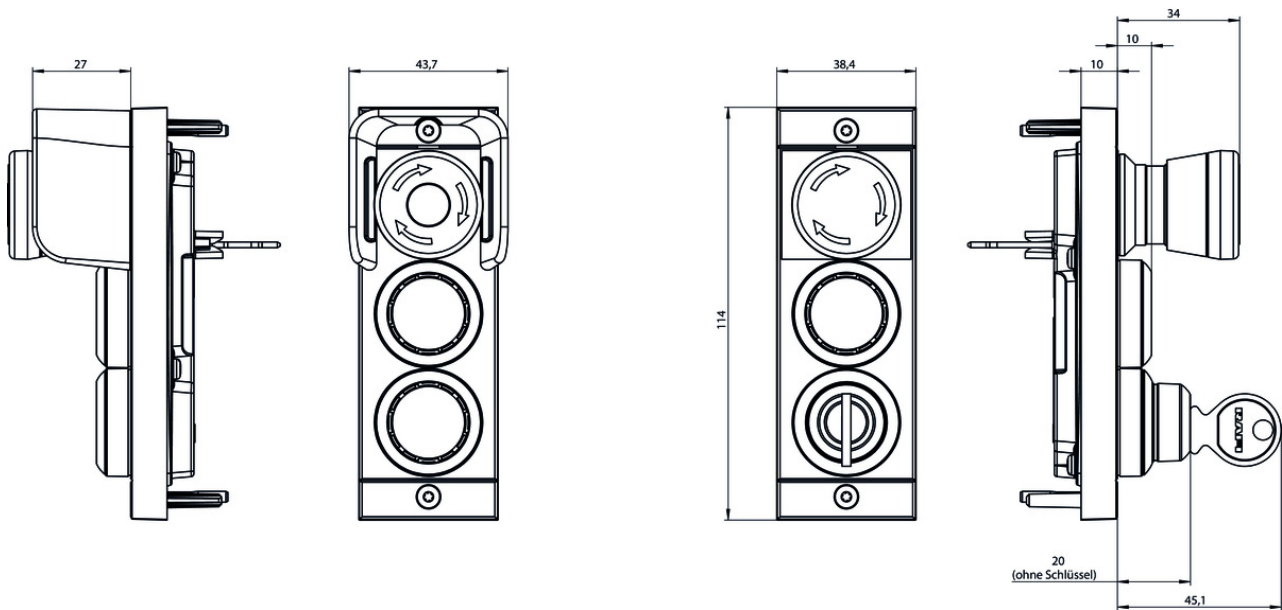
### Legende

Z Marks position of S1

S1 Emergency stop according to ISO 13850

S3 Illuminated pushbutton

## Dimension drawing



## Miscellaneous accessories

- ✓ Lens set 6 colors



**120378** AY-SET-LNS-0002-120378

- ✓ Lens set 5 colors



**120344** AY-SET-LNS-0001-120344

- ✓ Lens set labeled



**120377** AY-SET-LNS-SY01-120377











**126158** AY-SET-LNS-SY03-126158



**125359** AY-SET-LNS-SY02-125359

## Catalogs

- ✓ Multifunctional Gate Box MGB2 Modular Multifunctional Gate Box MGB2 Modular Multifunctional Gate Box MGB2 Modular Multifunctional Gate Box MGB2 Modular Multifunctional Gate Box MGB2 Modular

	<b>Doc. no.</b>	<b>Version</b>	<b>Language</b>	<b>Download</b>
Multifunctional Gate Box MGB2 Modular	159037	02-09/18		 14.3 MB
Multifunctional Gate Box MGB2 Modular	159050	02-09/18		 14.4 MB
Multifunctional Gate Box MGB2 Modular	159051	02-09/18		 14.4 MB
Multifunctional Gate Box MGB2 Modular	159039	02-09/18		 14.4 MB