

ITEM 137744 MSM-1-P-CA-0P0-B8-137744

Description	Technical data	Accessories	Downloads
-------------	----------------	-------------	-----------



Features

- › Function expansion for modules MGB2 and MCM
- › Connection type: P
- › One illuminated pushbutton, middle
- › incl. lens set

Approvals



Mechanical values and environment

Material	Fiber glass reinforced plastic
Weight	Net 0,1 kg
Ambient temperature	

At U _B = 24V DC	-25 ... 55 °C
Degree of protection	IP 65 (IP 20) ^[1]
Resilience to vibration	In acc. with EN 60947-5-3
Installation position	Any

Electrical connection ratings

	Controls and indicators
Switching voltage	24 V
Switching current	5 ... 10 mA
Breaking capacity	max.0,25 W
Power supply LED	24 V DC

Controls and indicators

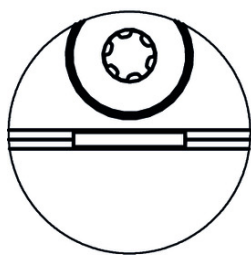
Control/indicator	
Version	Illuminated push buttons
Switching element	1NO
Item	S2

Miscellaneous

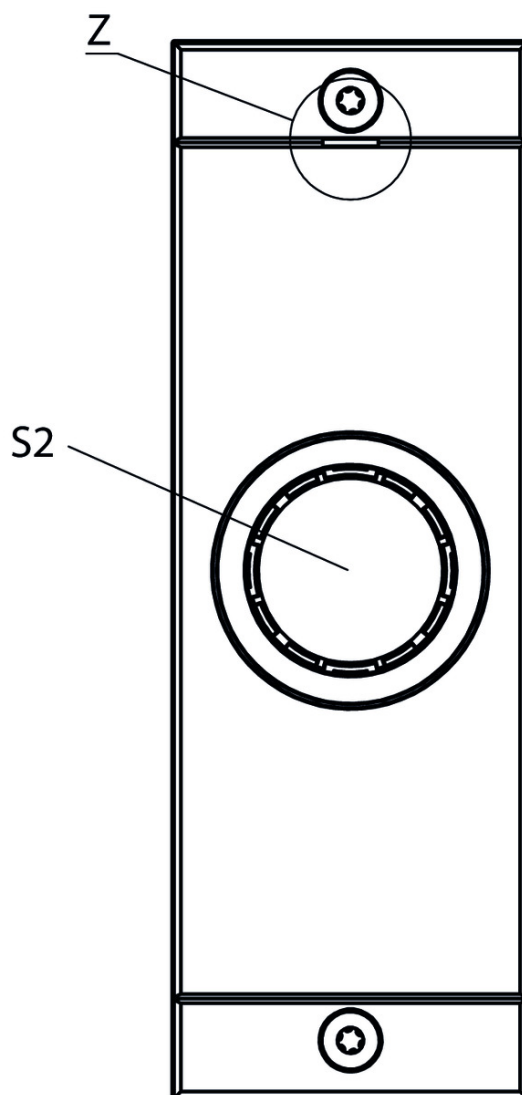
Additional feature	Incl. cover set ID. No. 120344
--------------------	--------------------------------

^[1] IP 65: Only in the screwed tight state with the specified base modules.

Dimension drawing



Z 2:1

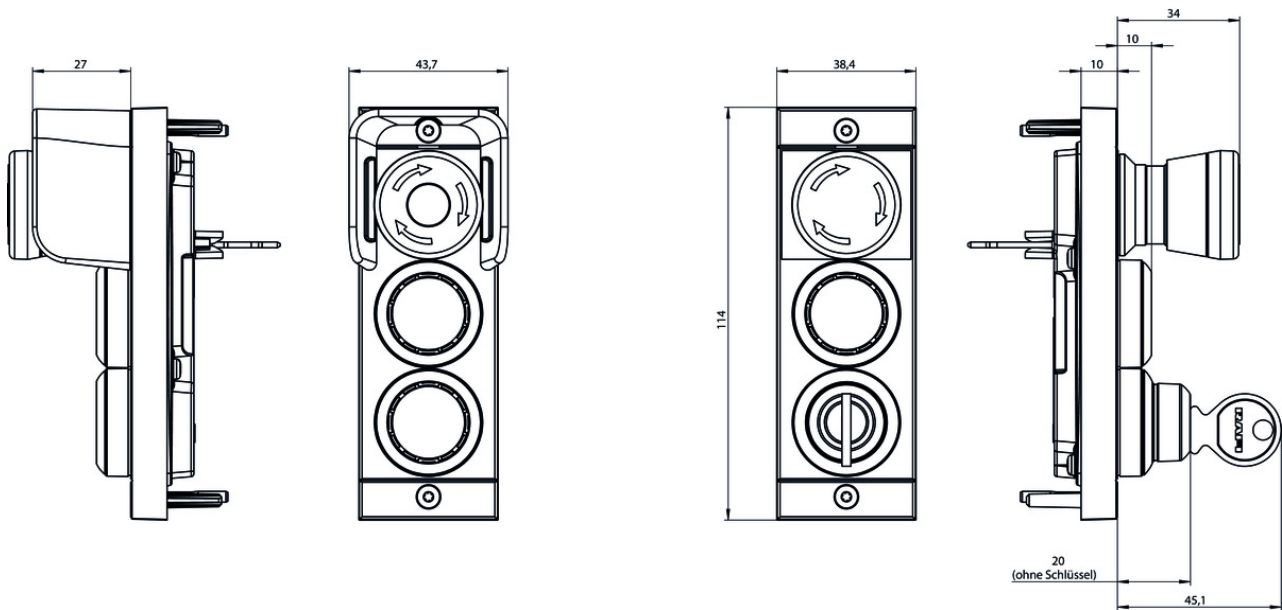


Legende

Z Marks position of S2

S2 Illuminated pushbutton

Dimension drawing



Miscellaneous accessories

- ✓ Lens set 6 colors



120378 AY-SET-LNS-0002-120378

- ✓ Lens set 5 colors



120344 AY-SET-LNS-0001-120344

- ✓ Lens set labeled



120377 AY-SET-LNS-SY01-120377











126158 AY-SET-LNS-SY03-126158



125359 AY-SET-LNS-SY02-125359

Catalogs

- ✓ Multifunctional Gate Box MGB2 Modular Multifunctional Gate Box MGB2 Modular Multifunctional Gate Box MGB2 Modular Multifunctional Gate Box MGB2 Modular

	Doc. no.	Version	Language	Download
Multifunctional Gate Box MGB2 Modular	159037	02-09/18		 14.3 MB
Multifunctional Gate Box MGB2 Modular	159050	02-09/18		 14.4 MB
Multifunctional Gate Box MGB2 Modular	159051	02-09/18		 14.4 MB
Multifunctional Gate Box MGB2 Modular	159039	02-09/18		 14.4 MB