

ITEM 157218 MSM-1-P-CA-RRR-C5-157218

Description	Technical data	Accessories	Downloads
-------------	----------------	-------------	-----------



Features

- › Function expansion for modules MGB2 and MCM
- › Connection type: P
- › Three illuminated acknowledgment buttons

Approvals



Mechanical values and environment

Material	Fiber glass reinforced plastic
Weight	Net 0,1 kg
Ambient temperature	At $U_B = 24V DC$ -25 ... 55 °C

Degree of protection	IP 65 (IP 20) ^[1]
Resilience to vibration	In acc. with EN 60947-5-3
Installation position	Any

Electrical connection ratings

	Controls and indicators
Switching voltage	24 V
Switching current	5 ... 10 mA
Breaking capacity	max.0,25 W
Power supply LED	24 V DC

Controls and indicators

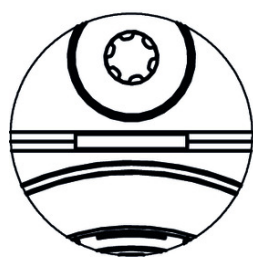
Control/indicator	
Version	Illuminated acknowledgment button
Switching element	1NO
Item	S1
Control/indicator	
Version	Illuminated acknowledgment button
Switching element	1NO
Item	S2
Control/indicator	
Version	Illuminated acknowledgment button
Switching element	1NO
Item	S3

Miscellaneous

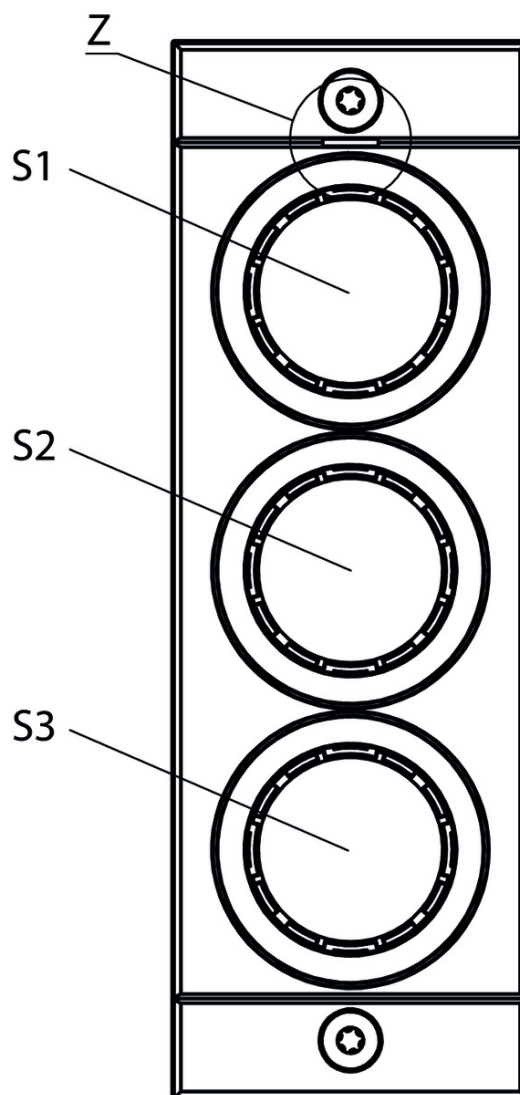
Additional feature	Incl. cover set ID. No. 120344
--------------------	--------------------------------

[1] IP 65: Only in the screwed tight state with the specified base modules.

Dimension drawing



Z 2:1



Legende

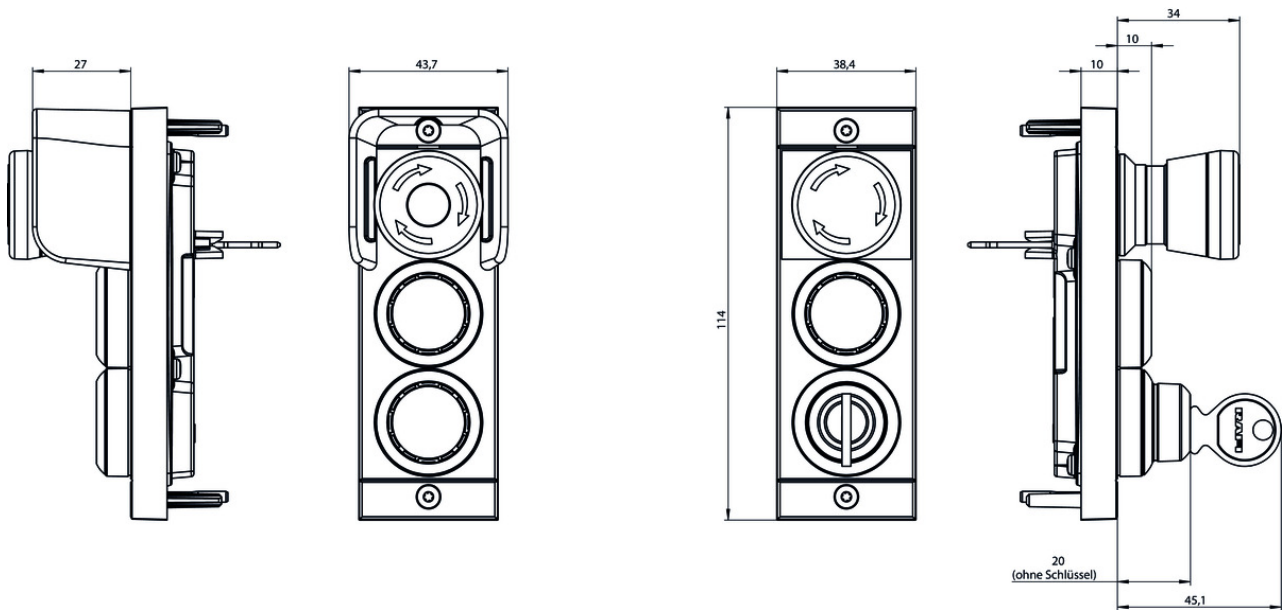
Z Marks position of S1

S1 Illuminated acknowledgment button

S2 Illuminated acknowledgment button

S3 Illuminated acknowledgment button

Dimension drawing



Miscellaneous accessories

✓ Lens set 5 colors



120344 AY-SET-LNS-0001-120344

✓ Lens set labeled



125359 AY-SET-LNS-SY02-125359



126158 AY-SET-LNS-SY03-126158



120377 AY-SET-LNS-SY01-120377

✓ Lens set 6 colors



120378 AY-SET-LNS-0002-120378