

**ITEM 158906 MSM-1-P-CA-TTT-C7-158906**

Description	Technical data	Accessories	Downloads
-------------	----------------	-------------	-----------



**Features**

- › Function expansion for modules MGB2 and MCM
- › Connection type: P
- › Three selector switches 1 x 90°, form V, illuminated

**Approvals**



**Mechanical values and environment**

Material	Fiber glass reinforced plastic
Weight	Net 0,1 kg
Ambient temperature	At $U_B = 24V DC$ -25 ... 55 °C

Degree of protection	IP 65 (IP 20) <sup>[1]</sup>
Resilience to vibration	In acc. with EN 60947-5-3
Installation position	Any

### Electrical connection ratings

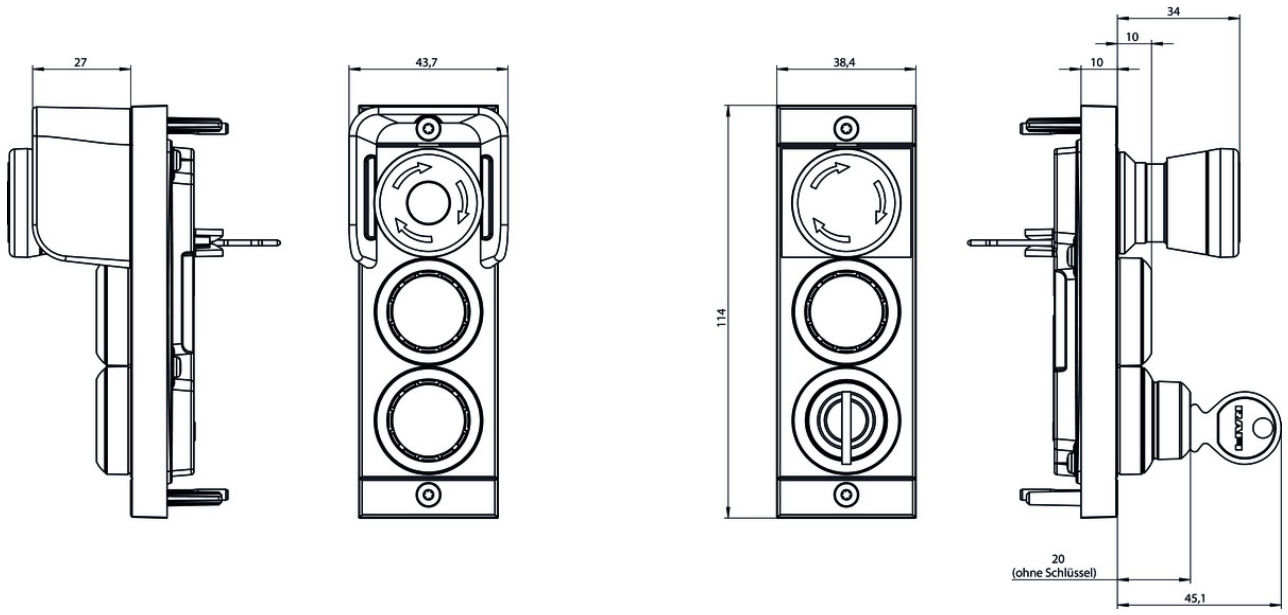
	Controls and indicators
Switching voltage	24 V
Switching current	5 ... 10 mA
Breaking capacity	max.0,25 W
Power supply LED	24 V DC

### Controls and indicators

Control/indicator	
Version	Selector switch (test pulse monitored), illuminated
Switching element	1NO
Item	S1
Control/indicator	
Version	Selector switch (test pulse monitored), illuminated
Switching element	1NO
Item	S2
Control/indicator	
Version	Selector switch (test pulse monitored), illuminated
Switching element	1NO
Item	S3

<sup>[1]</sup> IP 65: Only in the screwed tight state with the specified base modules.

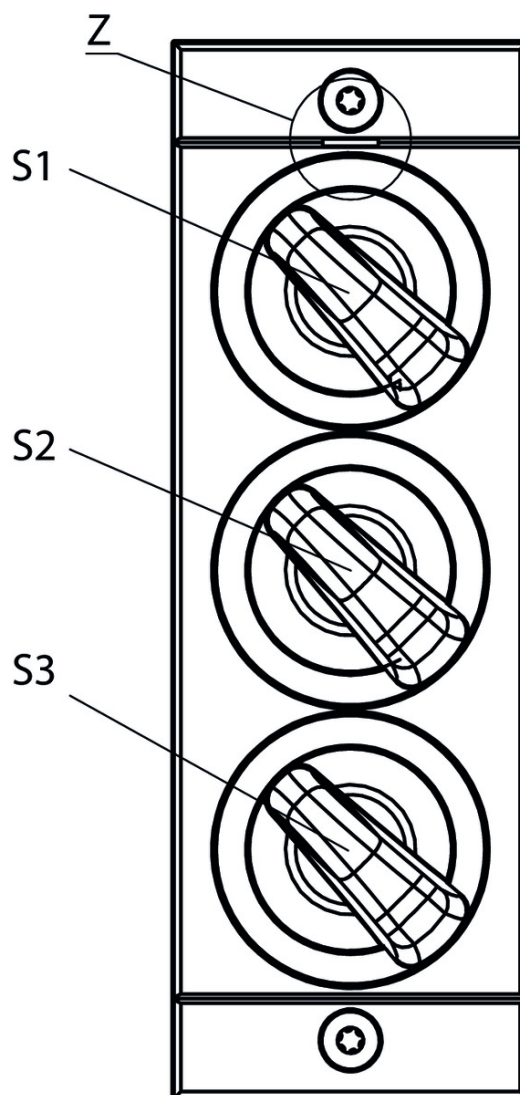
# Dimension drawing



## Dimension drawing



Z 2:1



## Legende

*R* Marks position of S1

*S1* One selector switch 1 x 90°, form V, illuminated

*S2* One selector switch 1 x 90°, form V, illuminated

*S3* One selector switch 1 x 90°, form V, illuminated