

## ITEM 157544 MGBS-H-BA1A3-L-157544

Description	Technical data	Accessories	Downloads
-------------	----------------	-------------	-----------



### Features

- › Intelligent bolt tongue
- › Door hinge on left (not adjustable)
- › Automatically extending lockout mechanism
- › Door handle

### Bolt tongue

The bolt tongue is reliably detected by a transponder as soon as it is inserted into the switch.

### Door hinge

For doors hinged on the left. The door hinge cannot be changed.

### Lockout mechanism (automatically extending)

For cleaning and service on the machine the bolt tongue can be locked with max. three padlocks.

The lockout mechanism extends automatically on the actuation of the handle and prevents the operation of the handle in the safe state.

## Door handle

The MGBS has a robust door handle that can be rotated in 90° steps to suit all installations. The handle rotating direction is simple to adjust.

---

## Door knob

As an alternative to the door handle, the handle module can also be equipped with a door knob.

## Approvals



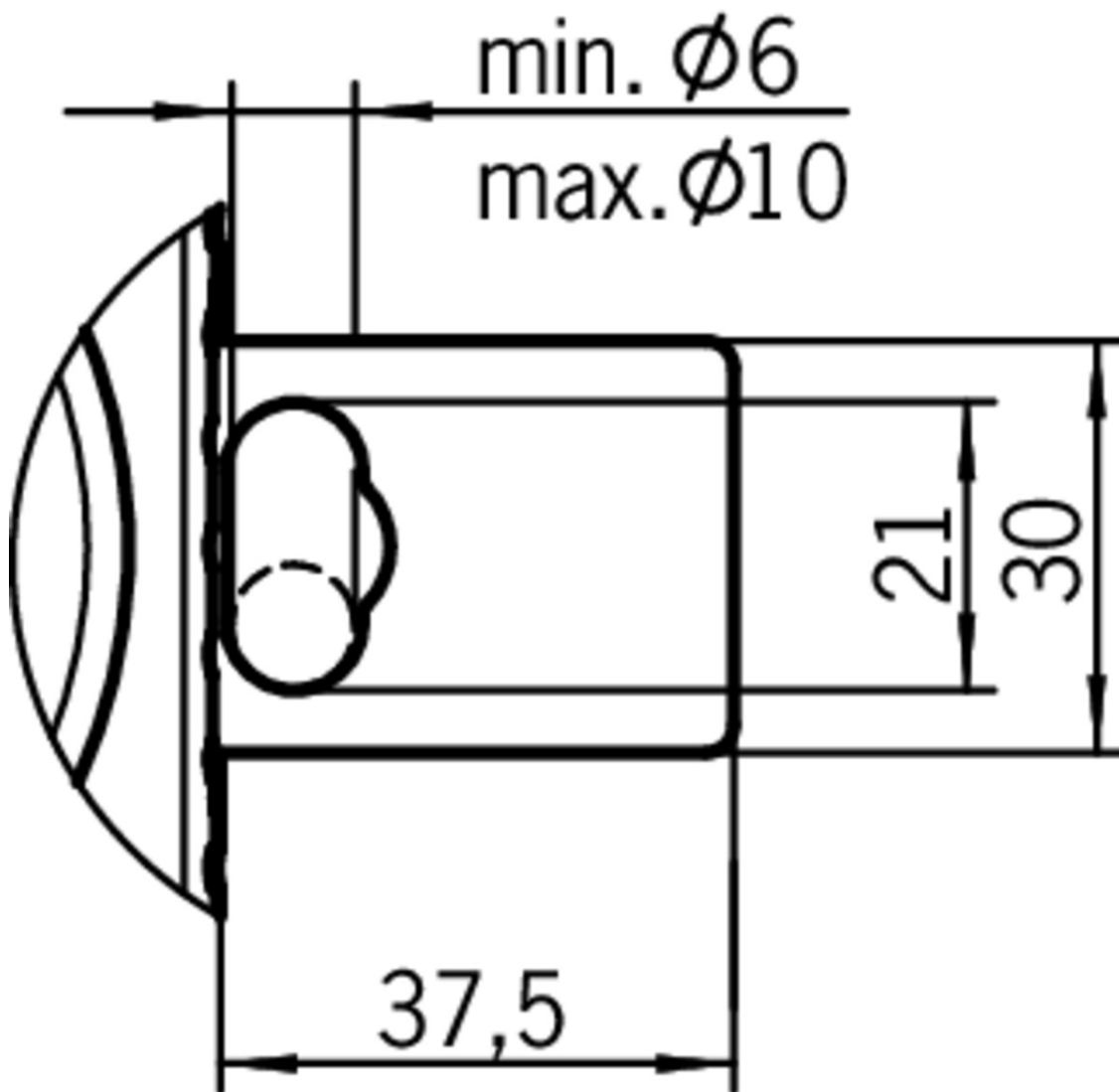
## Mechanical values and environment

Housing material	Reinforced plastic, die-cast zinc nickel-plated, stainless steel
Weight	Net 1,05 kg
Ambient temperature	-20 ... 55 °C
Degree of protection	IP65
Installation position	Door hinge DIN left

## Miscellaneous

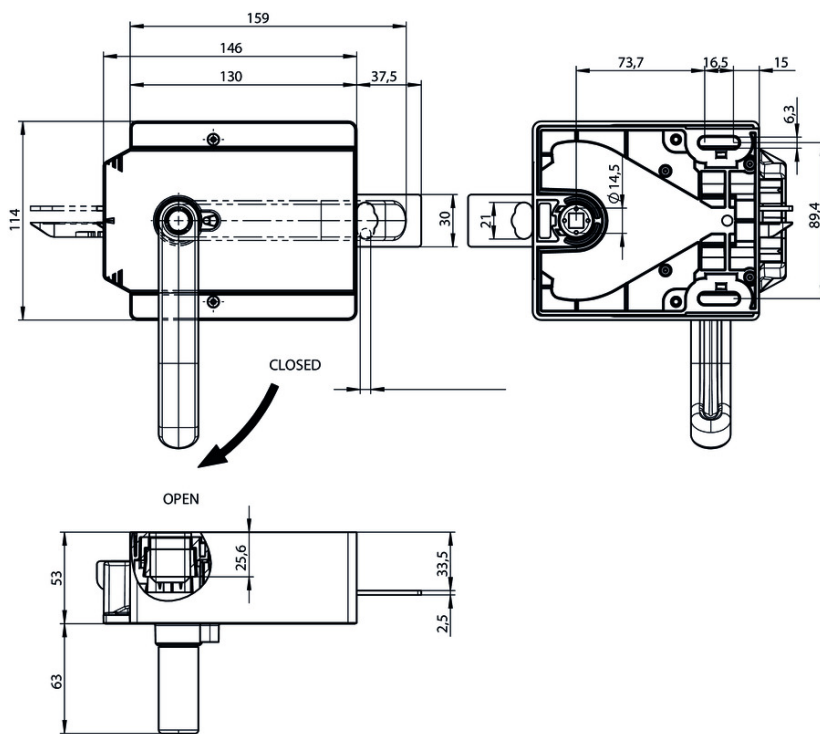
Additional feature	With automatic lockout mechanism
Product version number	V1.0.0

Dimension drawing

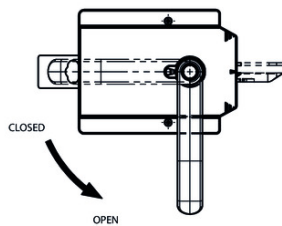


## Dimension drawing

MGBS-H-BA1A3-R-157543



MGBS-H-BA1A3-L-157544



## Function expansion

- ✓ Door knob for MGB2-H..., silver



**157017** AY-DKB-S1-157017

### ✓ Features

- › For mounting on all MGB2 handle modules MGB2-H...
- › For mounting on all MGBS handle modules MGBS-H...
- › e.g. on sliding doors
- › Aluminum, silver anodized

- ✓ Door handle for MGB2-H..., silver



**156944** AY-DHL-S1-156944

### ✓ Features

- › For mounting on all MGB2 handle modules MGB2-H...
- › For mounting on all MGBS handle modules MGBS-H...
- › Aluminum, silver anodized

Inner door handle AE-R-S1



**158322** AE-R-S1-158322

Features

- › Inner door handle silver colored
- › incl. sticker describing the opening sequence
- › Extended actuation axis for thicker doors (order separately)

## Instructions

Montageanleitung Multifunctional Gate Box MGBS

	Doc. no.	Version	Language	Download
Montageanleitung Multifunctional Gate Box MGBS	2150944	03-09/18		1.5 MB
Assembly Instructions Multifunctional Gate Box MGBS	2150944	03-09/18		1.5 MB