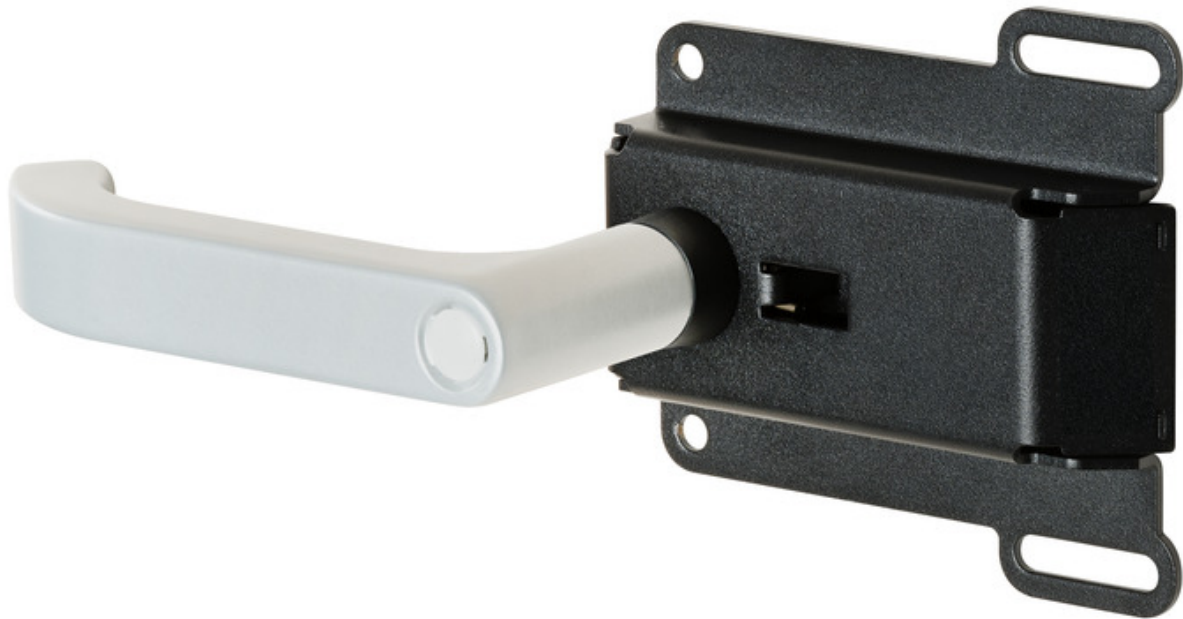


ITEM 158322 AE-R-S1-158322

| Description | Technical data | Accessories | Downloads |
|-------------|----------------|-------------|-----------|
|-------------|----------------|-------------|-----------|



Features

- › Inner door handle silver colored
- › incl. sticker describing the opening sequence
- › Extended actuation axis for thicker doors (order separately)

Inner door handle

In combination with a locking module with escape release, the safety system must be equipped with an inner door handle. It enables people shut in to open the locked door from the danger zone.

The actuation axis supplied is suitable for profiles up to 40 mm.

Extended actuation axis

Optionally, a 250 mm (instead of 110 mm) long actuation axis (order no. 106761) can be ordered for thicker doors or profiles > 40 mm. The axis can be shortened to the required dimension.

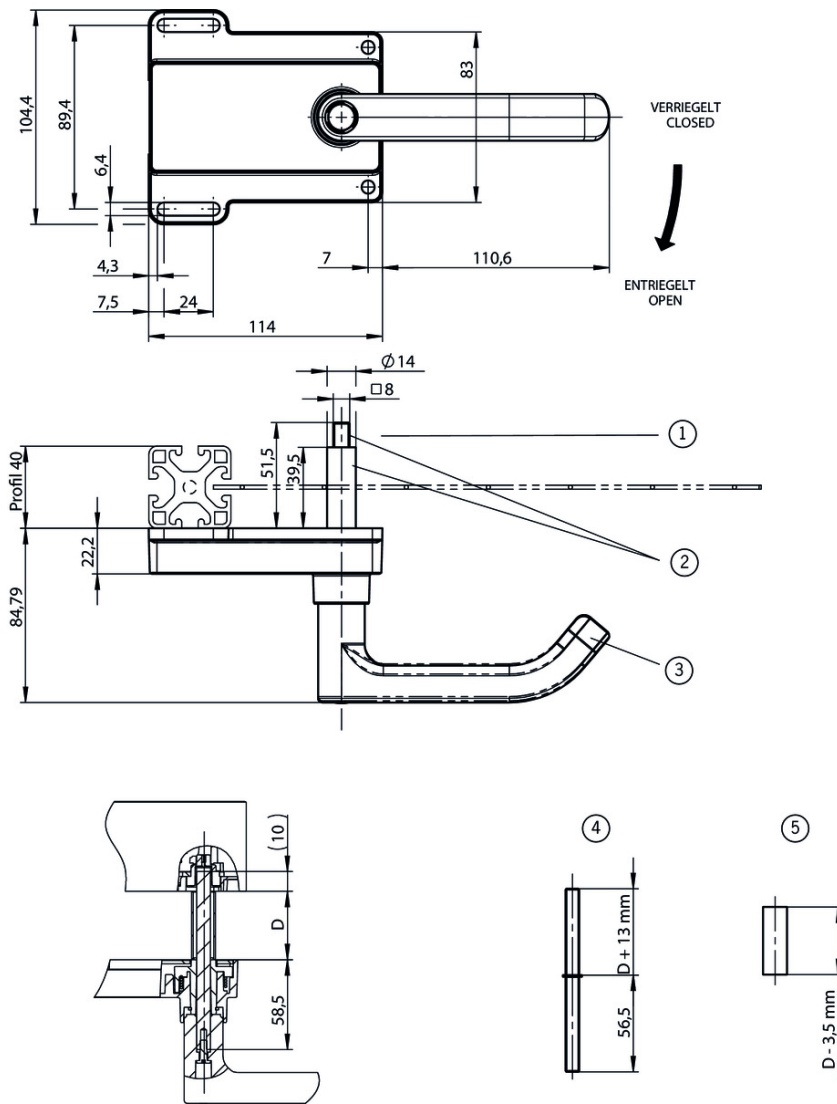
Mechanical values and environment

| | |
|-----------------------|---|
| Housing material | Die-cast zinc, stainless steel powder-coated, brass |
| Weight | |
| | Net 0,72 kg |
| Ambient temperature | -20 ... 55 °C |
| Mechanical life | 1 x 10 ⁶ |
| Installation position | Any |

Miscellaneous

| | |
|--------------------|----------------------------|
| Additional feature | with silver-colored handle |
|--------------------|----------------------------|

Dimension drawing



Legende

- 1 Connection - handle module
- 2 Protective sleeve and actuation axis enclosed separately
- 3 Door handle (silver)
- 4 Shaft
- 5 Sleeve

Function expansion

- Extended actuation axis for MGB-E...



106761 AY-ERS-250-106761

▼ Door knob for MGB2-H..., silver



157017 AY-DKB-S1-157017

▼ Features

- › For mounting on all MGB2 handle modules MGB2-H...
 - › For mounting on all MGBS handle modules MGBS-H...
 - › e.g. on sliding doors
 - › Aluminum, silver anodized
-

▼ Door handle for MGB2-H..., silver



156944 AY-DHL-S1-156944

▼ Features

- › For mounting on all MGB2 handle modules MGB2-H...
 - › For mounting on all MGBS handle modules MGBS-H...
 - › Aluminum, silver anodized
-