

ITEM 136687 MSM-1-P-CA-BPP-A1-136687

Description	Technical data	Accessories	Downloads
-------------	----------------	-------------	-----------



Features

- › Function expansion for modules MGB2 and MCM
- › Connection type: P
- › One illuminated emergency stop according to ISO 13850
- › Two illuminated pushbuttons
- › incl. lens set

Approvals



Mechanical values and environment

Material	Fiber glass reinforced plastic
Weight	Net 0,1 kg
Ambient temperature	

	At $U_B = 24V$ DC	-25 ... 55 °C
Degree of protection		IP 65 (IP 20) [1]
Resilience to vibration		In acc. with EN 60947-5-3
Installation position		Any
Reaction time		See operating instructions for bus module MBM-... or interlocking/locking module MGB2-I.-BR-... / MGB2-L.-BR-...

Electrical connection ratings

	Controls and indicators	
Switching voltage		24 V
Switching current		5 ... 10 mA
Breaking capacity		max.0,25 W
Power supply LED		24 V DC
	Illuminated emergency stop	
Switching voltage		5 ... 24 V
Switching current		5 ... 100 mA
Breaking capacity		max.0,25 W
Power supply LED		24 V DC

Controls and indicators

Control/indicator	
Designation	beleuchtet
Version	Emergency stop
Switching element	2 pos. driven NC
Item	S1
Control/indicator	
Version	Illuminated push buttons
Switching element	1NO
Item	S2
Control/indicator	
Version	Illuminated push buttons
Switching element	1NO
Item	S3

Miscellaneous

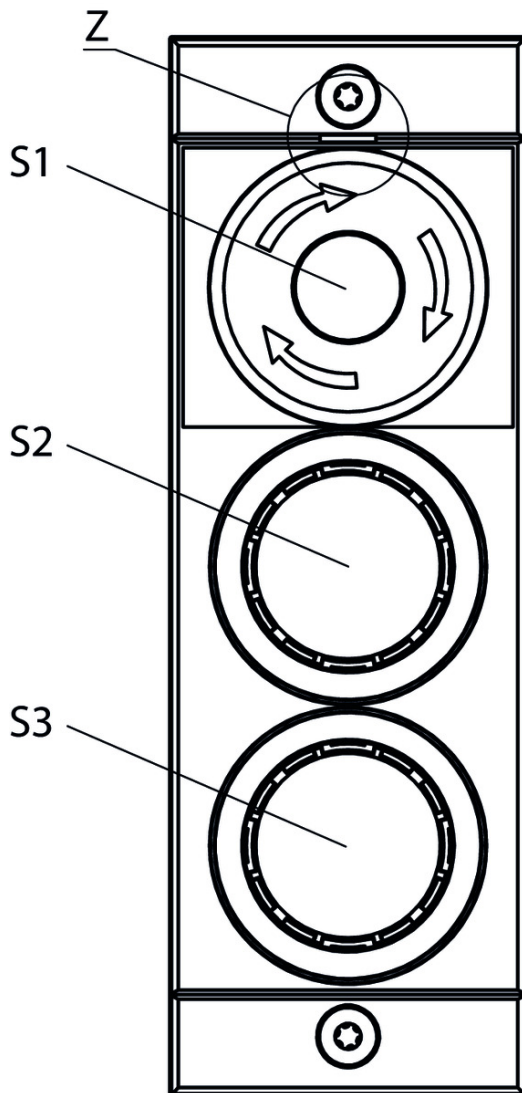
Additional feature	Incl. cover set ID. No. 120344
--------------------	--------------------------------

Reliability values acc. to EN ISO 13849-1

	Illuminated emergency stop	
B10 _D		
	Emergency stop	0,1 x 10 ⁶

[1] IP 65: Only in the screwed tight state with the specified base modules.

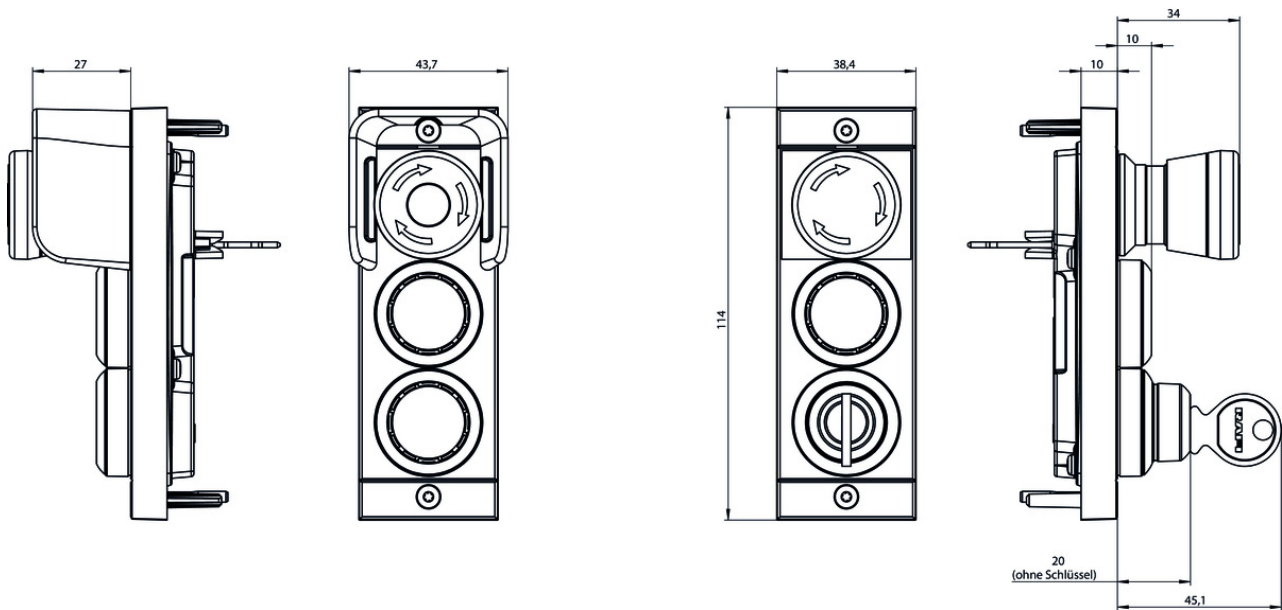
Dimension drawing



Legende

- Z Marks position of S1
- S1 Emergency stop according to ISO 13850
- S2 Illuminated pushbutton
- S3 Illuminated pushbutton

Dimension drawing



Miscellaneous accessories

- ✓ Lens set 6 colors



120378 AY-SET-LNS-0002-120378

- ✓ Lens set 5 colors



120344 AY-SET-LNS-0001-120344

- ✓ Lens set labeled



120377 AY-SET-LNS-SY01-120377











125359 AY-SET-LNS-SY02-125359



126158 AY-SET-LNS-SY03-126158

Catalogs

- ✓ Multifunctional Gate Box MGB2 Modular Multifunctional Gate Box MGB2 Modular Multifunctional Gate Box MGB2 Modular Multifunctional Gate Box MGB2 Modular Multifunctional Gate Box MGB2 Modular

	Doc. no.	Version	Language	Download
Multifunctional Gate Box MGB2 Modular	159037	02-09/18		 14.3 MB
Multifunctional Gate Box MGB2 Modular	159050	02-09/18		 14.4 MB
Multifunctional Gate Box MGB2 Modular	159051	02-09/18		 14.4 MB
Multifunctional Gate Box MGB2 Modular	159039	02-09/18		 14.4 MB