

ITEM 126372 MSM-1-N-AA-000-A4-126372

Description	Technical data	Accessories	Downloads
-------------	----------------	-------------	-----------



Features

- › Function expansion for modules MGB2 and MCM
- › Connection type: N
- › Blanking cover

Approvals



Mechanical values and environment

Material	Fiber glass reinforced plastic
Weight	Net 0,05 kg
Ambient temperature	At $U_B = 24V DC$ -25 ... 55 °C

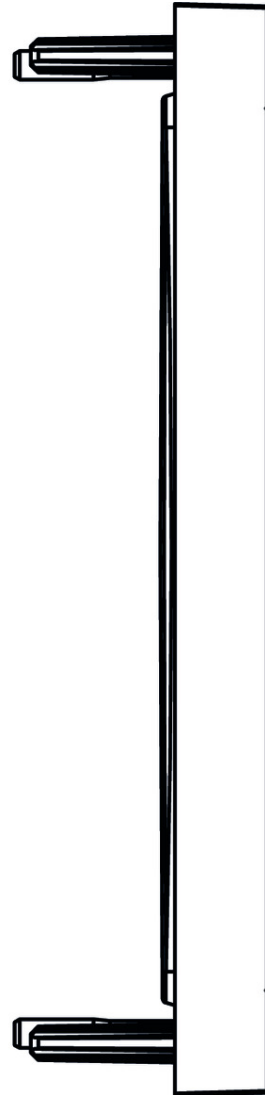
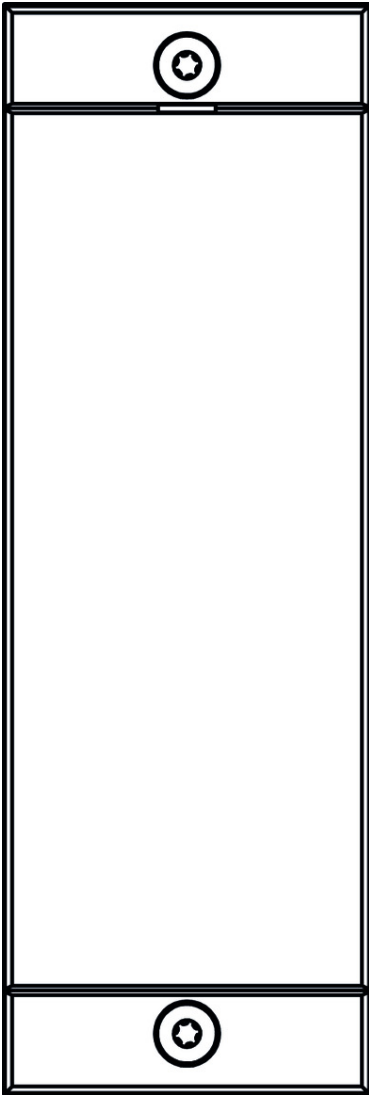
Resilience to vibration

In acc. with EN 60947-5-3

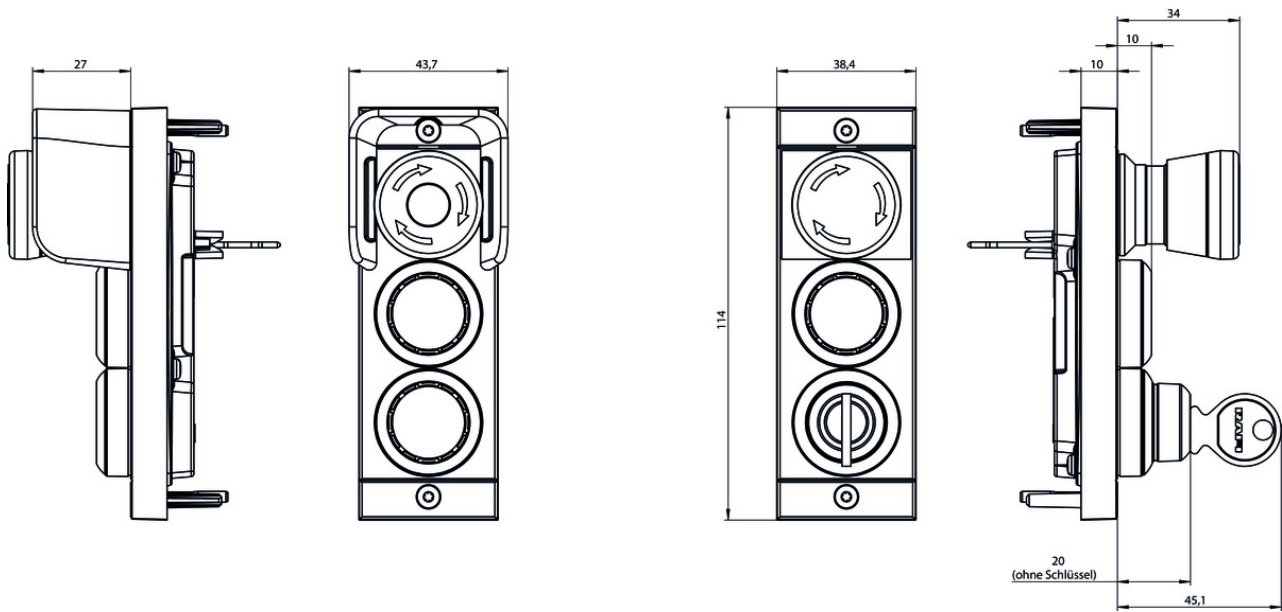
Installation position

Any

Dimension drawing



Dimension drawing



Catalogs

Multifunctional Gate Box MGB2 Modular Multifunctional Gate Box MGB2 Modular Multifunctional Gate Box MGB2 Modular Multifunctional Gate Box MGB2 Modular

	Doc. no.	Version	Language	Download
Multifunctional Gate Box MGB2 Modular	159037	02-09/18		14.3 MB
Multifunctional Gate Box MGB2 Modular	159050	02-09/18		14.4 MB
Multifunctional Gate Box MGB2 Modular	159051	02-09/18		14.4 MB
Multifunctional Gate Box MGB2 Modular	159039	02-09/18		14.4 MB