

**ITEM 157218 MSM-1-P-CA-RRR-C5-157218**

Description	Technical data	Accessories	Downloads
-------------	----------------	-------------	-----------



**Features**

- › Function expansion for modules MGB2 and MCM
- › Connection type: P
- › Three illuminated acknowledgment buttons

**Approvals**



**Mechanical values and environment**

Material	Fiber glass reinforced plastic
Weight	Net 0,1 kg
Ambient temperature	At $U_B = 24V DC$ -25 ... 55 °C

Degree of protection	IP 65 (IP 20) <sup>[1]</sup>
Resilience to vibration	In acc. with EN 60947-5-3
Installation position	Any

### Electrical connection ratings

	Controls and indicators
Switching voltage	24 V
Switching current	5 ... 10 mA
Breaking capacity	max.0,25 W
Power supply LED	24 V DC

### Controls and indicators

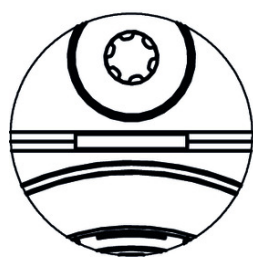
Control/indicator	
Version	Illuminated acknowledgment button
Switching element	1NO
Item	S1
Control/indicator	
Version	Illuminated acknowledgment button
Switching element	1NO
Item	S2
Control/indicator	
Version	Illuminated acknowledgment button
Switching element	1NO
Item	S3

### Miscellaneous

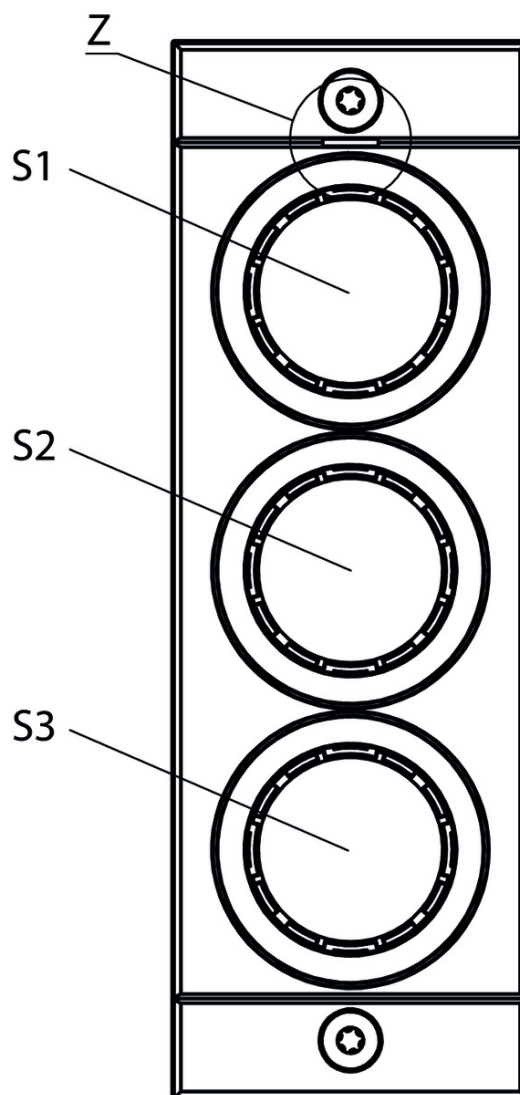
Additional feature	Incl. cover set ID. No. 120344
--------------------	--------------------------------

[1] IP 65: Only in the screwed tight state with the specified base modules.

## Dimension drawing



Z 2:1



## Legende

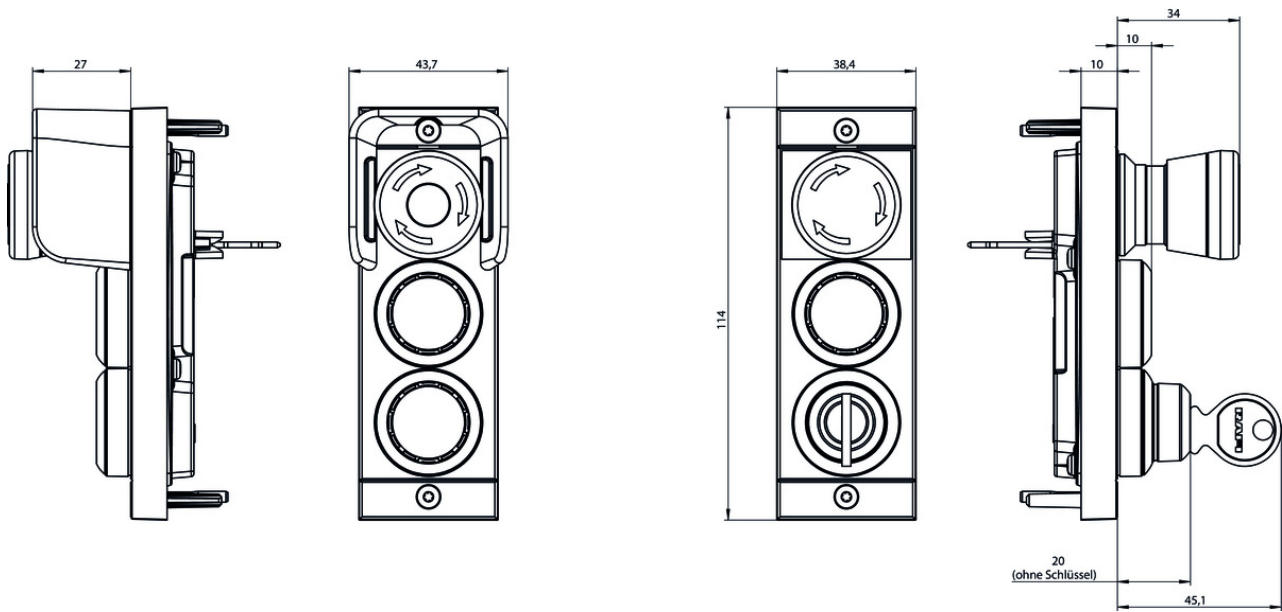
Z Marks position of S1

S1 Illuminated acknowledgment button

S2 Illuminated acknowledgment button

S3 Illuminated acknowledgment button

## Dimension drawing



## Miscellaneous accessories

### ✓ Lens set 5 colors



**120344** AY-SET-LNS-0001-120344

### ✓ Lens set labeled



**125359** AY-SET-LNS-SY02-125359



**126158** AY-SET-LNS-SY03-126158



**120377** AY-SET-LNS-SY01-120377

### ✓ Lens set 6 colors



**120378** AY-SET-LNS-0002-120378