

ITEM 158906 MSM-1-P-CA-TTT-C7-158906

Description	Technical data	Accessories	Downloads
-------------	----------------	-------------	-----------



Features

- › Function expansion for modules MGB2 and MCM
- › Connection type: P
- › Three selector switches 1 x 90°, form V, illuminated

Approvals



Mechanical values and environment

Material	Fiber glass reinforced plastic
Weight	Net 0,1 kg
Ambient temperature	At $U_B = 24V DC$ -25 ... 55 °C

Degree of protection	IP 65 (IP 20) ^[1]
Resilience to vibration	In acc. with EN 60947-5-3
Installation position	Any

Electrical connection ratings

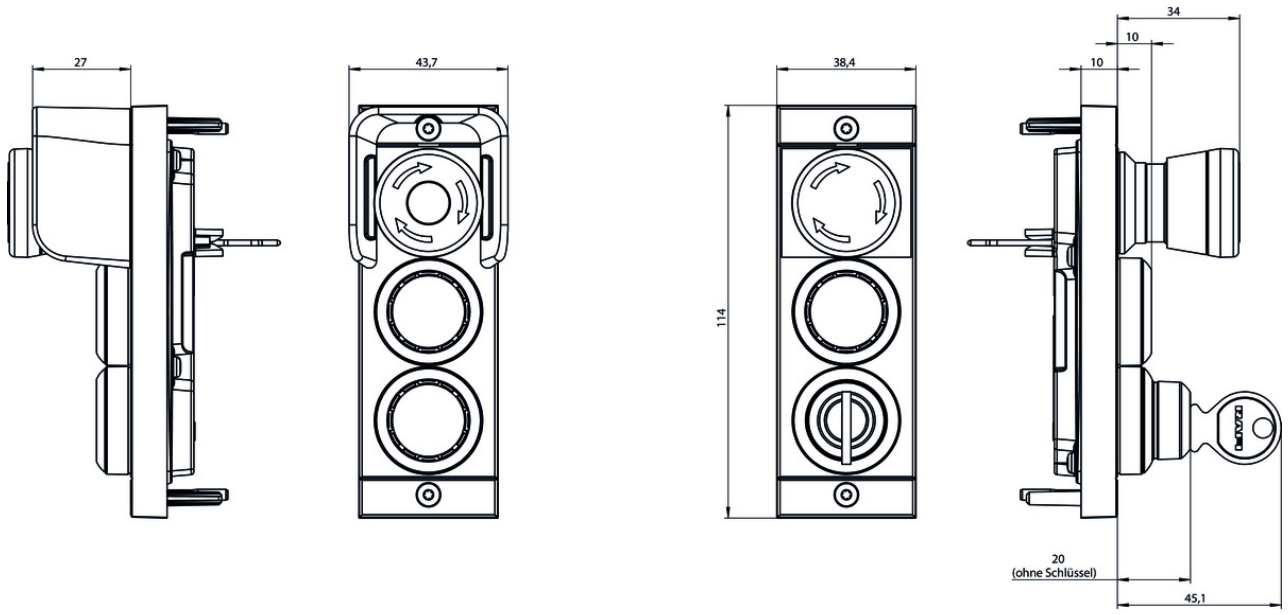
	Controls and indicators
Switching voltage	24 V
Switching current	5 ... 10 mA
Breaking capacity	max.0,25 W
Power supply LED	24 V DC

Controls and indicators

Control/indicator	
Version	Selector switch (test pulse monitored), illuminated
Switching element	1NO
Item	S1
Control/indicator	
Version	Selector switch (test pulse monitored), illuminated
Switching element	1NO
Item	S2
Control/indicator	
Version	Selector switch (test pulse monitored), illuminated
Switching element	1NO
Item	S3

^[1] IP 65: Only in the screwed tight state with the specified base modules.

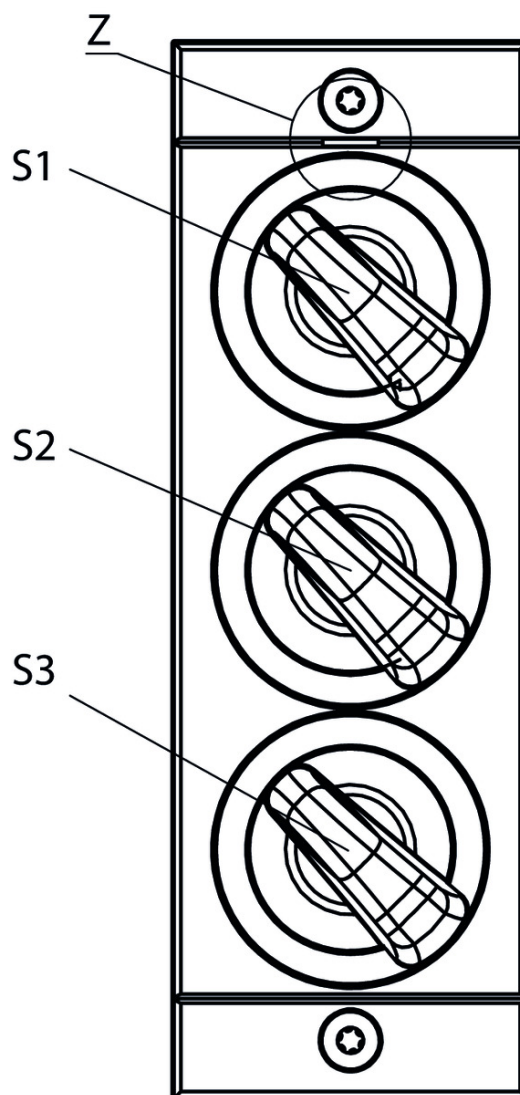
Dimension drawing



Dimension drawing



Z 2:1



Legende

R Marks position of S1

S1 One selector switch 1 x 90°, form V, illuminated

S2 One selector switch 1 x 90°, form V, illuminated

S3 One selector switch 1 x 90°, form V, illuminated