

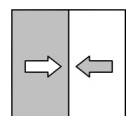


Operating manual

DE38

Digital differential pressure transmitter / switch
with colour change LCD

09005474 • BA_EN_DE38_LCD • Rev. ST4-A • 01/19



Masthead

Manufacturer:**FISCHER Mess- und Regeltechnik GmbH**Bielefelderstr. 37a
D-32107 Bad SalzufenTelephone: +49 5222 974 0
Telefax: +49 5222 7170eMail: info@fischermesstechnik.deweb: www.fischermesstechnik.de**Technical editorial team:**

Documentation representative: T. Malischewski

Technical editor: R. Kleemann

All rights, also those to the translation, reserved. No part of this document may be reproduced or processed, duplicated or distributed using electronic systems or any other form (print, photocopy, microfilm or another process) without the written consent of the company FISCHER Mess- und Regeltechnik GmbH, Bad Salzufen.

Reproduction for internal use is expressly allowed.

Brand names and procedures are used for information purposes only and do not take the respective patent situation into account. Great care was taken when compiling the texts and illustrations; Nevertheless, errors cannot be ruled out. The company FISCHER Mess- und Regeltechnik GmbH will not accept any legal responsibility or liability for this.

Subject to technical amendments.



© FISCHER Mess- und Regeltechnik 2019

Version history

Rev. ST4-A 01/19	Version 1 (first edition)
------------------	---------------------------

Table of contents

1	Safety instructions	4
1.1	General	4
1.2	Personnel Qualification	4
1.3	Risks due to Non-Observance of Safety Instructions	4
1.4	Safety Instructions for the Operating Company and the Operator	4
1.5	Unauthorised Modification	4
1.6	Inadmissible Modes of Operation	4
1.7	Safe working practices for maintenance and installation work	5
1.8	Pictogram explanation	5
2	Product and functional description	6
2.1	Delivery scope	6
2.2	Intended use	6
2.3	Device model	6
2.4	Function diagram	7
2.5	Design and mode of operation	7
3	Assembly	8
3.1	General	8
3.2	Process connection	8
3.3	Electrical connection	9
4	Start-up	10
4.1	General	10
4.2	Configuration	10
4.3	Display	10
4.4	Keyboard	11
4.5	Menu levels	12
5	Servicing	23
5.1	Maintenance	23
5.2	Transport	23
5.3	Service	23
5.4	Disposal	23
6	Technical data	24
6.1	General	24
6.2	Input variables	24
6.3	Output sizes	24
6.4	Auxiliary energy	24
6.5	Operating conditions	25
6.6	Display and operating interface	25
6.7	Construction design	25
7	Order codes	28
7.1	Accessories	29
8	Attachments	30

1 Safety instructions

1.1 General

This operating manual is an integral part of the product and therefore needs to be kept close to the instrument in a place that is accessible at all times to the responsible personnel.

The following sections, in particular instructions about the assembly, commissioning and maintenance, contain important information, non-observance of which could pose a threat to humans, animals, the environment and property.

The instrument described in these operating instructions is designed and manufactured in line with the state of the art and good engineering practice.

1.2 Personnel Qualification

The instrument may only be installed and commissioned by specialized personnel familiar with the installation, commissioning and operation of this product.

Specialized personnel are persons who can assess the work they have been assigned and recognize potential dangers by virtue of their specialized training, their skills and experience and their knowledge of the pertinent standards.

1.3 Risks due to Non-Observance of Safety Instructions

Non-observance of these safety instructions, the intended use of the device or the limit values given in the technical specifications can be hazardous or cause harm to persons, the environment or the plant itself.

The supplier of the equipment will not be liable for damage claims if this should happen.

1.4 Safety Instructions for the Operating Company and the Operator

The safety instructions governing correct operation of the instrument must be observed. The operating company must make them available to the installation, maintenance, inspection and operating personnel.

Dangers arising from electrical components, energy discharged by the medium, escaping medium and incorrect installation of the device must be eliminated. See the information in the applicable national and international regulations.

Please observe the information about certification and approvals in the Technical Data section.

1.5 Unauthorised Modification

Modifications of or other technical alterations to the instrument by the customer are not permitted. This also applies to replacement parts. Only the manufacturer is authorised to make any modifications or changes.

1.6 Inadmissible Modes of Operation

The operational safety of this instrument can only be guaranteed if it is used as intended. The instrument model must be suitable for the medium used in the system. The limit values given in the technical data may not be exceeded.

The manufacturer is not liable for damage resulting from improper or incorrect use.

1.7 Safe working practices for maintenance and installation work

The safety instructions given in this operating manual, any nationally applicable regulations on accident prevention and any of the operating company's internal work, operating and safety guidelines must be observed.

The operating company is responsible for ensuring that all required maintenance, inspection and installation work is carried out by qualified specialized personnel.

1.8 Pictogram explanation



DANGER

Type and source of danger

This indicates a **direct** dangerous situation that could lead to death or **serious injury** (highest danger level).

- a) Avoid danger by observing the valid safety regulations.



WARNING

Type and source of danger

This indicates a **potentially** dangerous situation that could lead to death or **serious injury** (medium danger level).

- a) Avoid danger by observing the valid safety regulations.



CAUTION

Type and source of danger

This indicates a **potentially** dangerous situation that could lead to slight or serious injury, damage or **environmental pollution** (low danger level).

- a) Avoid danger by observing the valid safety regulations.



NOTICE

Note / advice

This indicates useful information of advice for efficient and smooth operation.

2 Product and functional description

2.1 Delivery scope

- Differential pressure transmitter DE38
- Operating Manual

2.2 Intended use

The DE38 is a differential pressure transmitter / switch with a diaphragm measuring device and is suitable for measuring over-pressure, under-pressure and differential pressure in neutral liquid and gaseous media.

Please contact the manufacturer before using this unit with dirty or aggressive media because the media compatibility of the unit needs to be checked.

The device may only be used for the purpose stipulated by the manufacturer. The manufacturer will not be liable for damage arising from incorrect or improper use.

2.3 Device model

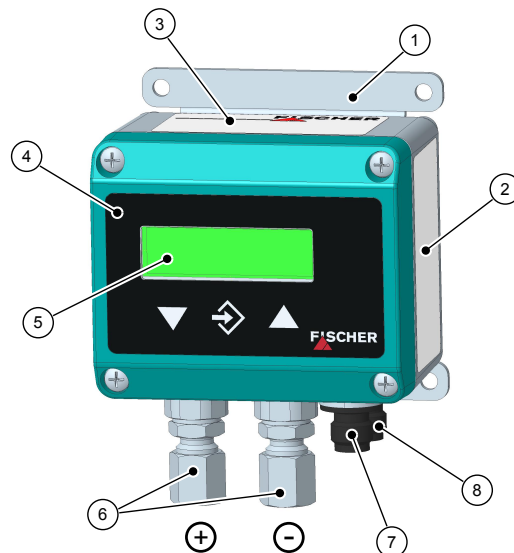


Fig. 1: Product summary

1	Wall mounting plate	2	Circuit diagram
3	Type plate	4	Foil keypad
5	LCD display with colour-change	6	Process connection
7	M12 connector 1 (auxiliary energy, analogue output)	8	M12 connector 2 (switching outputs)

Type plate

This type plate serves as an example of the information that is stated. The data shown is purely fictive, but does correspond to the actual conditions. For more information, please see the order code at the end of these instructions.

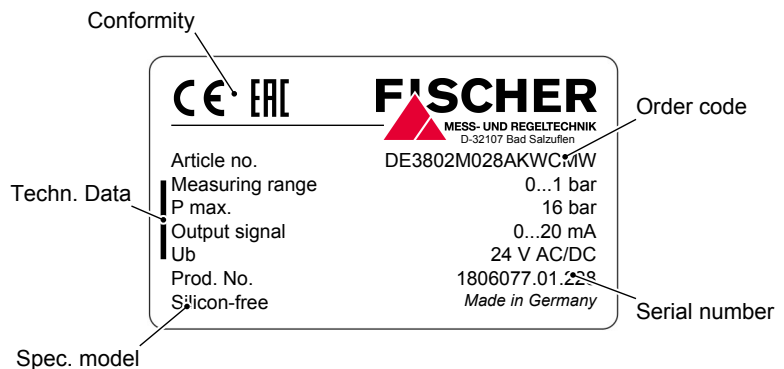


Fig. 2: Type plate

2.4 Function diagram

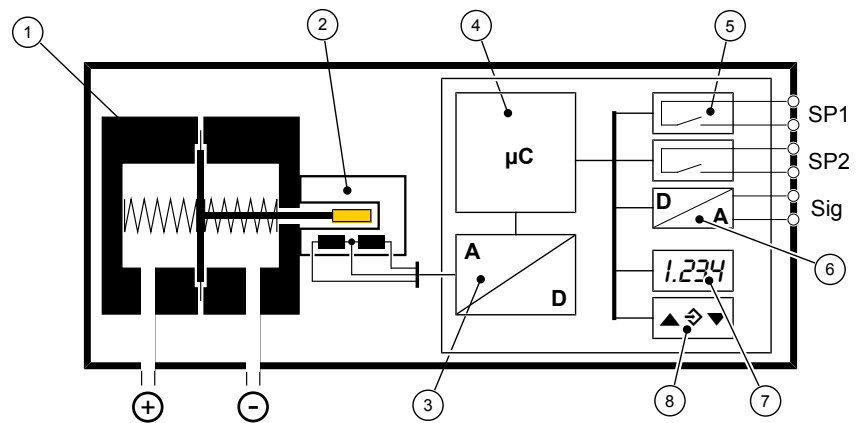


Fig. 3: Function diagram

1	Measuring cell	2	Inductive displacement transducer
3	Analogue/Digital converter	4	Micro-controller
5	Switching outputs	6	An. output
7	LC display	8	Foil keypad

2.5 Design and mode of operation

The switching device is based on a robust and durable diaphragm measuring unit. The pressures to be compared have an effect on a spring mounted measuring diaphragm that is in an idle state when the pressure is equalised.

In case of a pressure difference, a force acts on the measuring diaphragm. The force acting on the measuring diaphragm causes it to be moved towards the side of the lower pressure until the spring forces compensate this force.

The movement of the diaphragm is transferred via a tappet into the core of the inductive displacement sensor. The electronics integrated into the device evaluate this movement and transform it into signals on the display, switch contacts and optionally into an analogue output signal. The can be dampened, spread, inverted and transformed via a table function even if it is non-linear.

3 Assembly

3.1 General

The device is designed for installation onto flat assembly plates. For screw connection to the assembly plate, the device features four assembly bores on its back, which can be used for \varnothing 3.5 mm tapping screws.

Optionally, the device can be delivered with a wall-mounting plate. This is also available as accessory.

At the factory, the device is calibrated for vertical installation, but the installation position is arbitrary. For any installation positions that are not vertical, the zero-point signal can be corrected via the installed offset correction.

The enclosure protection type IP 65 is only guaranteed, if a suitable power supply cable is used (see accessories).

If the device is intended for outdoor use, we recommend permanently protecting the membrane keypad against UV radiation and using a suitable enclosure or at least the erection of a sufficiently dimensioned canopy as a protection measure against constant rain or snow.

3.2 Process connection

- By authorized and qualified specialized personnel only.
- The pipes need to be depressurized when the instrument is being connected.
- Appropriate steps must be taken to protect the device from pressure surges.
- Check that the device is suitable for the medium being measured.
- Maximum pressures must be observed (cf. Tech. data)

The pressure lines must be installed at an inclination so that when fluids are measured no air pockets are created or when measuring gases, no water pockets are created. If the required inclination is not reached, water or air filters must be installed at suitable places.

If water is used as a measuring medium, the unit must be protected against frost.

The pressure lines must be kept as short as possible and installed without any tight bends to avoid delays.

Pulsating pressure on the system side can lead to wear and functional problems. To safeguard this, we recommend installing absorption elements in the pressure line.

If the pressure sensing lines are already pressurised at the time of commissioning, zero-point control and adjustment cannot be performed. In such cases, the device should be only connected to the mains without the pressure sensing lines.

The pressure connections are marked with (+) and (-) symbols on the device. When the differential pressure is measured, the higher pressure is connected to the (+) side and the lower pressure to the (-) side.

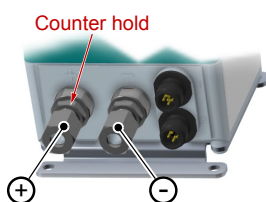


Fig. 4: Process connection



NOTICE

When mounting and dismantling pressurised lines, ensure that the screw socket does not also turn.

If screw sockets also turn, this can lead to leaks on the unit. To prevent this, a wrench is used to hold the hex of the screw socket tight.

3.3 Electrical connection

- By authorized and qualified specialized personnel only.
- When connecting the unit, the national and international electro-technical regulations must be observed.
- Disconnect the system from the mains, before electrically connecting the device.
- Install the consumer-adapted fuses.
- Do not connect the connector if strained.

The nominal supply voltage and the permissible range can be found in the technical data.

The admissible load / resistance is stated in the technical data.



NOTICE

During assembly, ensure that the connection to the system earth is realised via the process connection.

3-wire connection

The device is connected as follows in a 3-wire switch:

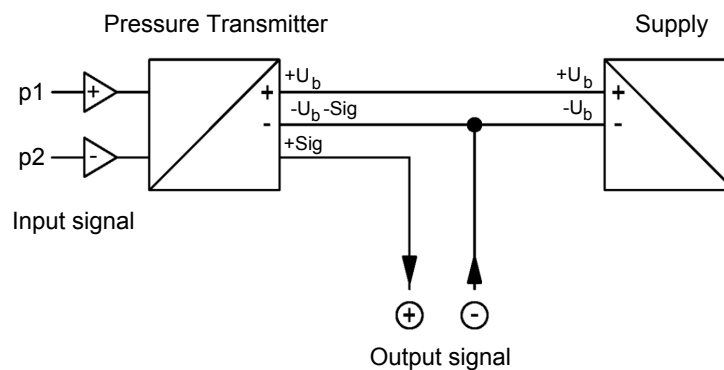


Fig. 5: 3-wire connection

Connector 1: Supply and output signal

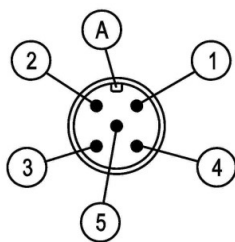


Fig. 6: M12 connector 5-pin

Posi- tion	Description	Cable colour
1	+Ub Supply (+)	Brown
2	+Sig2 Output signal 2	White
3	-Ub Supply (-)	Blue
4	+Sig1 Output signal 1	Black
5	⏏ Functional earth	Green/yellow
A	Coding	

Connector 2: Switching outputs

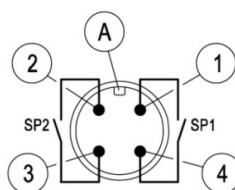


Fig. 7: M12 connector 4-pin

Posi- tion	Description	Cable colour
1	SP1 Switch output 1	Brown
2	SP2 Switch output 2	White
3	SP2 Switch output 2	Blue
4	SP1 Switch output 1	Black

4 Start-up

4.1 General

All electrical supply, operating and measuring lines, and the pressure connections must have been correctly installed before commissioning. All supply lines are arranged so that there are no mechanical forces acting on the device.

Check that the pressure connections do not leak before commissioning.

4.2 Configuration

During commissioning there are a number of setting options that allow the device to be adapted to the measuring point and measuring task. To facilitate the input, the individual parameters are placed into groups in so-called menu levels.

Depending on the device model some menu items are not available. For instance, no switch points can be set on a device without contacts.



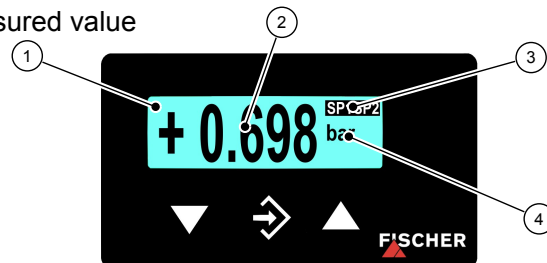
NOTICE

Parameter configuration on the PC

All the device settings can be made easily on the PC using the PC adapter. You will need a Transmitter PC Interface and the associated PC software. For more details, please refer to the Accessories section. The PC software makes all parameters directly visible and accessible. Also, the entire configuration can be loaded, saved and documented as a printout.

4.3 Display

Display: Measured value



Display: Bar chart

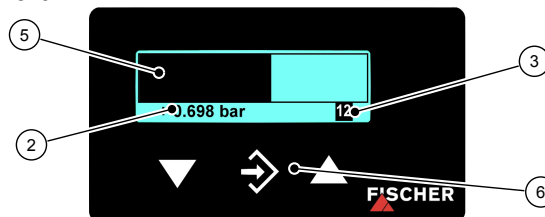


Fig. 8: LC display

1	LCD with back lighting	2	Measured data display
3	Status display of the switch points	4	Unit
5	Bar chart display	6	Keyboard

In normal mode, the current measured value is shown on a 4-digit LC display. To show very large values, it is possible to switch to a 5 or 6-digit presentation (see Parameter **MB decimal place**).

The unit is shown on the right of the display. If the device is equipped with contacts, a closed contact is always symbolised by an inverted text "SP1" or "SP2".

SP1SP2

Fig. 9: LCD Switch points

Various colours can be selected for the back lighting. Depending on the measured value, the colour of the back lighting can automatically be changed. This can be used e.g. to depict good/poor differences. The back lighting can also be deactivated.

The measured value can also be shown in a bar chart. The measured value is also shown in smaller pictures as a number.

During the programming, the menu items and the associated parameters are shown on the display. The device continues to function whilst the parameters are being set; apart from one exception, the changes come into effect instantly. The exception here is a change of switching times - here the previously valid time must have run down.

4.4 Keyboard

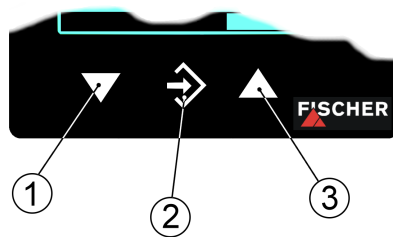


Fig. 10: Operating keys [LC display]

1	Page down menu	Reduce value
2	Call up menu	Save value
3	Page up menu	Increase value

The individual menu items and parameters can be displayed using the buttons ▲ and ▼. The respective menu item is selected or the parameters for making changes are called up via the button ⇨.

If a parameter can be changed, the display flashes. The change is made via the buttons ▲ and ▼. The value is saved with the button ⇨.

To leave a menu level or the entire menu, select the parameter "**Menu level Quit**" and press ⇨.

Example:

Switch-on point set switchpoint 1

In normal mode, press the button ⇨ to enter the menu. The **menu level Switch points** appears. Press the enter key ⇨ again to call up the display parameter.

The first parameter **SP 1 On** is displayed. To change this parameter, press the button ⇨ again.

The device jumps to the input:

- The parameter is stated in the 1st line.
- The value that is to be changed is shown in the 2nd line, the display flashes.
- The input limits are displayed in the 3rd line (if there is one).

The required value is set with the buttons ▲ and ▼ and then confirmed with ⇨.

4.5 Menu levels

The menu levels are structured as follows:

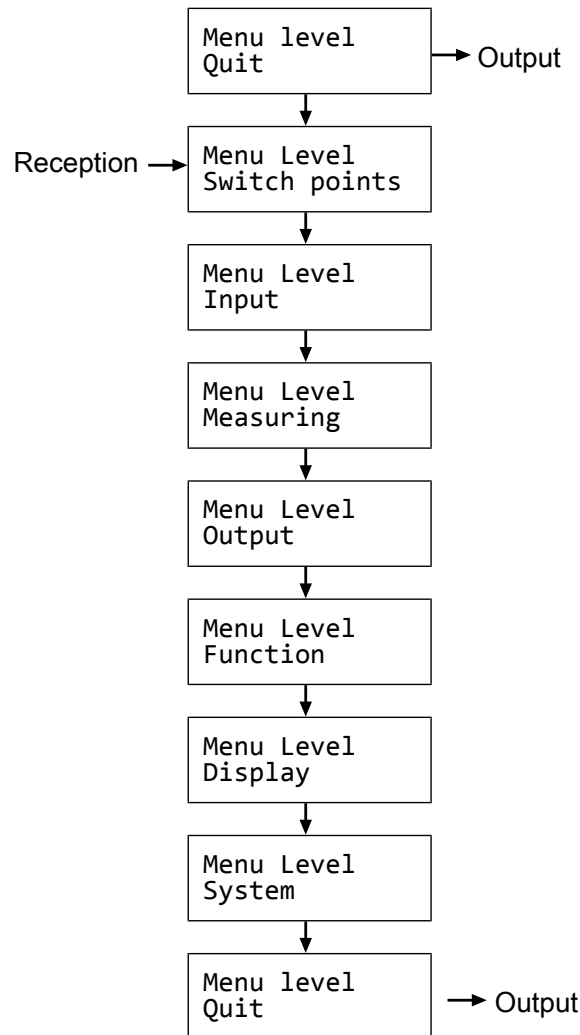


Fig. 11: Menu levels

The following tables provide an overview of the parameters of the individual menu levels. In the Menu Level System you can change to the respective national language using the language parameter. You can see which languages are supported there.

4.5.1 Menu Level Switch points

Parameter name	Description	Value range
SP1 On	Switch point 1 On	MRS-50% ... MRE+50%
SP1 Off	Switching point 1 off	MRS-50% ... MRE+50%
SP1 Delay	Switching point 1 delay	0...1800 s
SP1 Function	Switching point 1 function	NO, NC
SP2 On	Switch point 2 On	MRS-50% ... MRE+50%
SP2 Off	Switching point 2 off	MRS-50% ... MRE+50%
SP2 Delay	Switching point 2 delay	0...1800 s
SP2 Function	Switching point 2 function	NO, NC

The two switch outputs are configured by four parameters respectively. For the switch point 1 these are

- **SP1 On**
- **SP1 Off**
- **SP1 Delay**
- **SP1 Function**

Accordingly for switch point 2:

- **SP2 On**
- **SP2 Off**
- **SP2 Delay**
- **SP2 Function**

The function of the individual parameters is explained for both switch points using Switch point 1 as an example.

SP1 On defines the activation point, **SP1 Off** the deactivation point of switch output 1. The values are shown in the valid unit and set accordingly. The values are shown in the valid unit and set accordingly. Both parameters can be set independently over the entire value range.

The value range ranges from MRS – 50% to MRE + 50%. MRS stands for measuring range start and MRE for measuring range end.

Example:

Measurement range = 0 ... 100 Pa

The value range for this measuring range is -50 Pa ... +150 Pa.

Together, the two parameters **SP1 On** and **SP1 Off** determine the switch function of switch output 1:

- If **SP1 On** > **SP1 Off**, the output switches on, if the measured value exceeds SP1 On. It is only switched off again if the measured value SP1 Off is undercut (hysteresis function).
- If **SP1 On** = **SP1 Off**, the output switches on if the measured value exceeds SP1 On and off if the measured value undercuts the same value (SP1 Off).
- If **SP1 On** < **SP1 Off**, the output switches on, if the measured value lies within these switch points: i.e:
SP1 On < Measured value < **SP1 Off** (window function).

SP1 Delay allows the reaction of the switch output to be delayed by between 0 and 1800 s. This parameter applies equally for switching on and off.

SP1 Function changes the function of the switch output 1. It is possible here to define whether the contact should work as a open contact (NO) or a break contact (NC).

4.5.2 Menu Level Input

Parameter name	Description	Value range
Absorption	Attenuation, damping	0...100 s
Offset corr.	Offset correction	1/3 basic measuring range
Zero-pt. wind.	Zero-point window	1/3 basic measuring range

If there are unsteady pressure readings during operation, you can use the parameters **Absorption** and **Zero-pt. wind.** to stabilise the reading and the output signal.

The parameter **Absorption** functions like a capillary throttle. However, it only acts on the display, output signal and switch points (if these exist) but not on the measuring cell itself.

You can set the response time to pressure jumps in the range 0.0 to 100 s.



NOTICE

Response time

At maximum damping it can take over 2 minutes until the pressure jump from the nominal pressure 100% to 0% is also shown as zero in the display.

In many cases, unsteady readings are not a problem during normal operating mode, but this is not true for the idle state, i.e. if a measured value of zero is expected. The parameter **Zero-pt. wind.** is designed to solve this. Its value defines a range around zero at which the measured value is set to zero (see fig.).

The display only stops showing zero when the pressure leaves the set window. When twice the window value is reached, the measuring pressure and the display correspond again. This avoids jumps in the display.

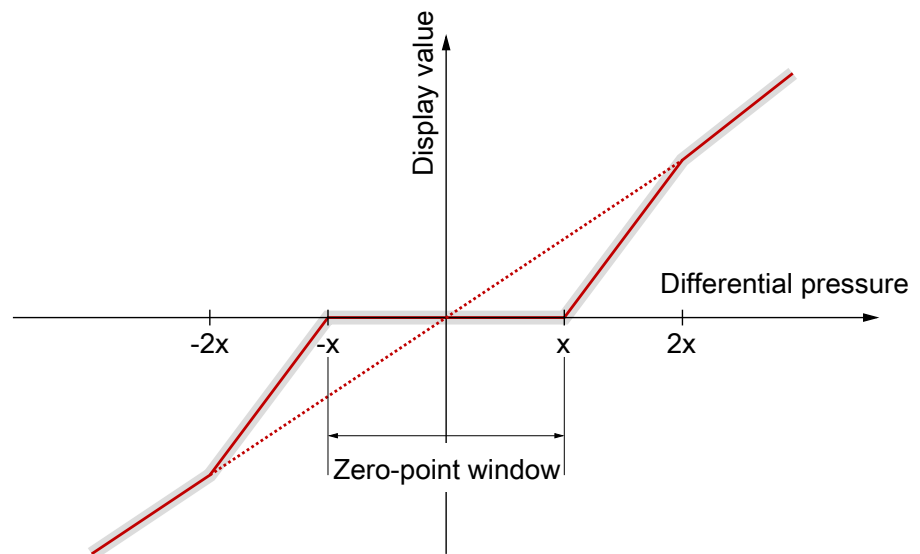


Fig. 12: Zero-point window

It makes sense to set the Offset (zero-point displacement) if, without differential pressure (remove measuring line), the display shows a value that is not zero. Before the offset correction, the zero-point window must be set to zero.

Select the **Offset corr.** parameter and correct the reading using the buttons ▲ or ▼ until zero is shown in the display.

When setting the offset, the current measured value is displayed. The zero-point window is not active during the offset setting.

4.5.3 Menu Level Measuring

Parameter name	Description	Value range
MB start	Measuring range start	Basic measuring range
MB end	Measuring range end	Basic measuring range
Unit	Measuring range unit	bar, mbar, Pa, kPa, MPa, psi, InWc, mmWs, mmHg
Limit	Measuring range limit	yes, no

The transmitter output signal primarily depends on the sensed pressure. However, you have the option of adjusting the output signal to a large extent to suit your requirements.



NOTICE

Adjustment of the output signal

The basic measuring range (indicated on the type label) and the type of output signal (voltage / current) are not variable.

The parameters **MB start** and **MB end** initially define the two pressures between which the output signal will change at all. Both values are adjustable across the entire basic measuring range. The set values also refer to the pressure in the respective unit. However, the signal values (current / voltage) for 'Start of measuring range' and 'End of measuring range' are fixed.

If **MB start** is smaller than **MB end**, this is called an increasing characteristic curve; the output signal increases as the pressure increases.

If **MB end** is smaller than **MB start**, this is a decreasing characteristic curve and the output signal decreases as the pressure increases.

The difference between the values **MB start** and **MB end** must be at least 25 % of the basic measuring range.

You can select a unit other than the unit of the basic measuring range with the parameter **Unit**. The user should remember however that not every unit is suitable. The conversion is automatic.

The parameter **Limit** allows the display, output and switching points to be limited to the range between Start of measuring range and End of measuring range. This makes sense when content is measured to avoid "negative contents". If Limit is set to "no", those measured values that are greater or smaller than the end values are shown.

4.5.4 Menu Level Output

Parameter name	Description	Value range
min. output	min. output	
max. output	max. output	0.0 ... 21.0 mA or 0.0 ... 11.0 V
Error signal	Measuring range unit	

The parameters **min. output**, **max. output** and **error signal** define the limits of the output signal that may not be undercut or exceeded regardless of the pressure. The limit values take priority over the range defined by the **MB start** and **MB end** parameters! These parameters primarily serve to prevent error messages in downstream systems caused by brief overstepping of measuring ranges.

The parameter **min. output** is usually only used for devices with an output signal 4...20 mA because frequently values of below 3.8 mA are evaluated as error signals.

The **max. output** value can be used for the voltage and current to limit the maximum value.

The value defined via the parameter **Error signal** is issued if the device detects an internal error and can no longer work correctly. It should be noted here that not all potential errors and faults can be detected by the device itself.

4.5.5 Menu Level Function

The Function menu level is a variable menu whose appearance depends on the value of the Function parameter. There are linear, square rooted and table functions

Linear function

The input signal is linear before being sent to the display and the output. The range defined in the menu "Measuring" serves as the measuring range. If the function LINEAR is active, the other menu items are cancelled.

Parameter name	Description	Value range
Function	Function	Value = linear

Square rooted function

Here, the input signal is square rooted before being sent to the display and the output. This is necessary e.g. for flow measurements with differential pressure. A free unit can be defined for the display. To do this, the start and end of the display range and the number of decimal points are defined. It is also possible to define the unit with 4 characters.

Parameter name	Description	Value range
Function	Function	Value = square rooted
MB decimal pl.	Measuring range decimal places	1234, 123.4, 12.34, 1,234, 12345, 123456
MB start	Measuring range start	-9999 ... +9999
MB end	Measuring range end	-9999 ... +9999
MB unit	Measuring range unit	4 characters

The following section contains descriptions of the parameters **MB decimal pl.**, **MB start**, **MB end** and **MB unit** to describe the table function.

Tables function

This function allows free adjustment of the input variable to the display and output via a table with up to 30 support points. A value pair comprising a measured value and display value is issued for every support point.



NOTICE

Change of parameter

When switching from TABLE to another function, the table is initialised again and the existing values are lost.

Parameter name	Description	Value range
Function	Function	Value = Table
MB decimal pl.	Measuring range decimal places	1234, 123.4, 12.34, 1,234, 12345, 123456
MB start	Measuring range start	-9999 ... +9999
MB end	Measuring range end	-9999 ... +9999
MB unit	Measuring range unit	4 characters
No. of pairs	Number of pairs	n = 3...30
Value pair1	Value pair 1	MB-start ... MB-end
Value pair2	Value pair 2	
Value pair3	Value pair 3	
	...	
Value pair30	Value pair 30	

The display range is defined with the parameters **MB decimal pl.**, **MB start** and **MB end**. The user can select the configuration freely.

Using the parameter **MB decimal pl.**, it is possible to select between a 5 or 6-digit presentation. The resolution is not increased. Only an extra zero or two zeros are added. This serves the correct display of larger values. The measuring range must be positive for the 6 digit presentation.

The **MB unit** gives the user the option of defining a completely independent unit. Letters, numbers or special characters can be used. The unit can be max. 4 characters long.

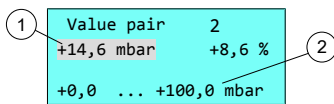
If the function TABLE is selected, then it is also necessary to state the **No. of pairs**. It is defined here how many pairs of values (support points) are used in the table. A table is made up of at least 3, max. 30 support points.



NOTICE

Number of value pairs

If the number of value pairs is changed, the table is initialised again and the existing values are deleted.



- 1 input mark (value flashes)
- 2 allowed range of values

Fig. 13: Value pair

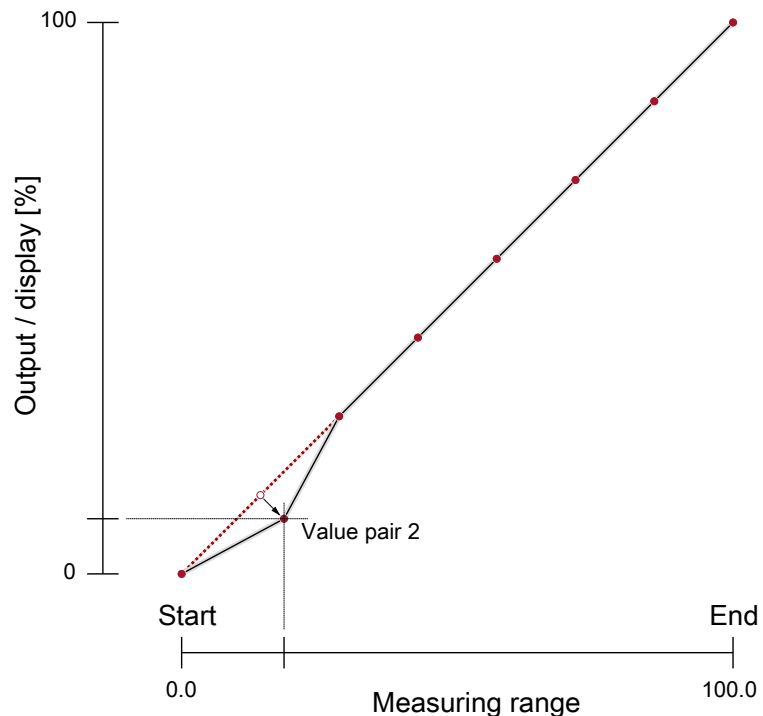


Fig. 14: Table function (example)

The individual value pairs can be seen and changed with the **Value pair1** to **Value pair30** parameters. A value pair comprises a measured value (left side) and a display value (right side). The measured value must lie within the measuring range and the display value must lie within the defined "free unit". The respective limits are shown during input. The table must contain either increasing or decreasing values. the table must contain either continuously increasing or continuously failing values. A change from an increasing to a decreasing characteristic curve within a support point table is not allowed.

4.5.6 Menu Level Display

The Display menu level is a variable menu whose appearance depends on the value of the colour parameter. In addition to the various colours for the background lighting, there are also two auto-functions with colour switching available.

Parameter name	Description	Value range
Colour	Colour	Off, red, green, yellow, blue, pink, turquoise, white, Auto1: Red-green Auto2: Red-yellow-green
Lighting	Lighting time	0 s, 10 ... 600 s
Contrast	Contrast	15 ... 45
Bar chart	Barchart display	yes, no

The most important parameter is **Colour**. A fixed colour can be defined for the background colour here. There are also two auto-functions with colour switching available. Alternatively, the background illumination can be permanently deactivated.

If permanent lighting is not required, the parameter **Lighting time** can be used to define when the lighting should be switched off after the last time a button is pressed. In addition to permanent lighting (0 s), automatic shut-down after 10... 600 s is also possible. The set time is only valid if the parameter **Colour** is not set to "off".

Amongst other things, the legibility of the display depends on the temperature and the reading angle. To ensure optimised legibility, the display can be adjusted using the parameter **Contrast**. When the contrast is changed, it is possible that the display appears empty or almost completely black. In this case, the contrast must be turned up or down.

Via the parameter **Bar chart**, the display can be switched between a display where the measured value is either shown in large digits or the display shows small digits and an additional barchart.

Auto1: Colour-change red to green

In the mode with the automatic colour switchover, it is possible to enter the required switch thresholds "red-green switchover", "green-red switchover".

The switching thresholds can be moved within the measuring range. The series of switch points cannot be altered.

Parameter name	Description	Value range
Red-Gr. switch.	Red-green switching	MRS - 50% ...
Gr-Red switch.	Green-red switching	MRE + 50%
Hysteresis	Hysteresis	0.1 ... 10.0 %
Delay	Delay	0 ... 1800 s
Colour	Colour	Off, red, green, yellow, blue, pink, turquoise, white, Auto1: Red-green Auto2: Red-yellow-green
Lighting	Lighting time	0 s, 10 ... 600 s
Contrast	Contrast	15 ... 45
Bar chart	Barchart display	yes, no

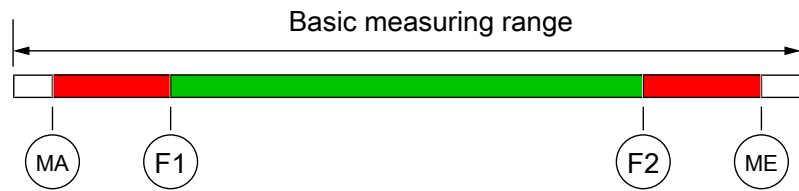


Fig. 15: Function Auto1

MA	MB-start	Measuring range start
F1	Red-Gr. switch.	Red-green switching
F2	Gr-Red switch.	Green-red switching
ME	MB-end	Measuring range end

The parameter **Hysteresis** can be used to prevent fast and unwanted colour changes. The hysteresis is set in the range 0.1... 10%.



NOTICE

Overlapping colour areas

Note: In the case of large hysteresis values, steps must be taken to ensure that the ranges of the individual colours do not overlap. Otherwise it is possible that the colour change may not function in the desired way.

The parameter **Delay** offers a further option to prevent unwanted colour changes. The colour change here can be delayed between 0...1800 s.

The parameter **Lighting** can be used to define when the lighting should be switched off after the last time a button is pressed. In addition to permanent lighting, automatic shut-down after 10...600 s is also possible. The set time is only valid if the parameter **Colour** is not set to "off". The lighting can be switched on permanently with the value 0s.

The legibility of the display can be adjusted using the parameter **Contrast**. When the contrast is changed, it is possible that the display appears empty or almost completely black. In this case, the contrast must be turned up or down again.

Via the parameter **Bar chart**, the display can be switched between a display where the measured value is either shown in large digits or the display shows small digits and an additional bar chart.

Auto2: Colour-change red-yellow-green

In the Auto 2 mode with the automatic colour switchover, it is possible to enter the required switch thresholds "red-yellow switchover", "yellow-green switchover", "green-yellow switchover", "yellow-red switchover".

The switching thresholds can be moved within the measuring range. The series of switch points cannot be altered.

Parameter name	Description	Value range
Red-Yell.switch.	Red-yellow switchover	MRS - 50% ... MRE + 50%
Yell.-Gr.switch.	Yellow-green switchover	
Gr.-Yell. switch	Green-yellow switchover	
Yell.-Red switch	Yellow-red switchover	
Hysteresis	Hysteresis	0.1 ... 10.0 %
Delay	Delay	0 ... 1800 s
Colour	Colour	Off, red, green, yellow, blue, pink, turquoise, white, Auto1: Red-green Auto2: Red-yellow-green
Lighting	Lighting time	0 s, 10 ... 600 s
Contrast	Contrast	15 ... 45
Bar chart	Barchart display	yes, no

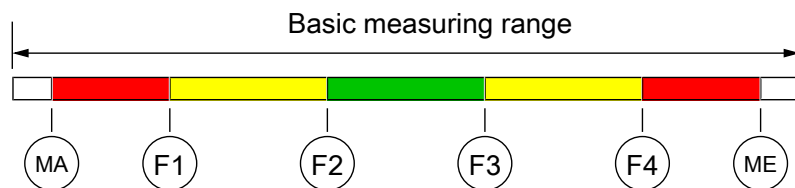


Fig. 16: Function Auto2

MA	MB-start	Measuring range start
F1	Red-Yell.switch.	Colour-change red to yellow
F2	Yell.-Gr.switch.	Colour-change yellow to green
F3	Gr.-Yell. switch	Colour-change green to yellow
F4	Yell.-Red switch	Colour-change yellow to red
ME	MB-end	Measuring range end

In this menu the same parameters are used as those described in the previous sections.



NOTICE

Unused range

If a range is not to be used, the associated switch thresholds (F1...F4) can be set to the same value.

Example

The parameter Colour is set to Auto2. Only the green, yellow and red ranges are required here. To fade out the lower ranges red and yellow, the switch thresholds "red-yellow switching" and "yellow-green switching" are set to the start of the measuring range.

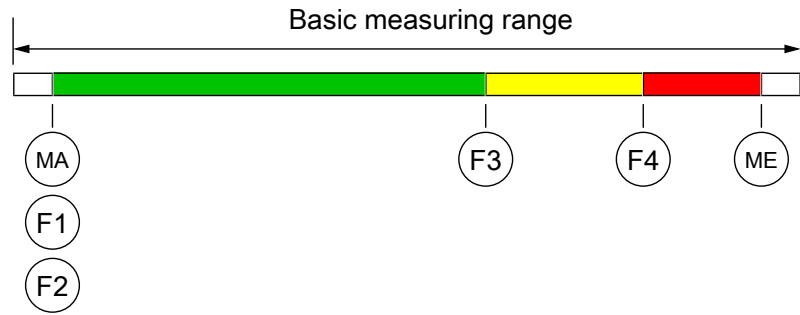


Fig. 17: Example Auto2

4.5.7 Menu Level System

Parameter name	Description	Value range
Language	Language change	DE, EN, FR, ES, IT,PT,HU
Software Info	Information about the software	Device type, serial number, firmware version
Config. Info	Information about the configuration	Basic measuring range, output signal, contacts
Statistics	Statistics	Operating time, switch cycles of the contacts
Password	Password	0/1...999
Load config.	Load configuration	
Save config.	Save configuration	

The user menu can be switched to German, English, French, Spanish, Italian, Portuguese or Hungarian using the parameter **Language**.

The menu items **Software Info** and **Config. Info** provide information about the device. This information helps to answer questions about the device quickly.

- The serial number and the firmware version is shown in **Software info**. If a 'designation' has been assigned, this is also issued. Please note that a 'designation' can only be entered with the PC software by remote configuration.
- The basic measuring range, the defined output signal and existing contacts are stated in the **Config. Info**.

The **Statistics** provide information about the operating time and the relay switching cycles from the time of delivery. The operating time is shown in days (d) and hours (h)

A **Password** can be used to protect the menu against unauthorised access. The password is a figure from 1 to 999. The input 0 means that no password is active.

The password needs to be set if the user presses the button in normal mode to enter the menu. If a wrong password is entered, the system automatically jumps back to normal mode again. If no password is active, the display immediately jumps to the menu.



NOTICE

Forgotten password

The user cannot restore a forgotten password. Please contact the manufacturer in this case.

The user can load a saved configuration via the menu item **Load config**. This means that a functional set of parameters can be loaded after trying out various settings.

The menu item **Save config** serves to save the existing parameters in a protected memory area. This is helpful if the settings of a functional device needs to be optimised. **Save config** and **Load config** can be used to quickly restore the initial status again.



NOTICE

Delivery condition

If the user has not yet saved a configuration, the default values (status on delivery) are loaded. In this case, any measuring range spreads or switch points are reset and the device needs to be newly configured.

5 Servicing

5.1 Maintenance

The instrument is maintenance-free. We recommend the following regular inspection to guarantee reliable operation and a long service life:

- Check the function in combination with downstream components.
- Check the leak-tightness of the pressure connection lines.
- Check the electrical connections.

The exact test cycles need to be adapted to the operating and environmental conditions. In combination with other devices, the operating instructions for the other devices also need to be observed.

5.2 Transport

The measuring device must be protected against impacts. It should be transported in the original packaging or a suitable transport container.

5.3 Service

All defective or faulty devices should be sent directly to our repair department. Please coordinate all shipments with our sales department.



WARNING

Process media residues

Process media residues in and on dismantled devices can be a hazard to people, animals and the environment. Take adequate preventive measures. If required, the devices must be cleaned thoroughly.

Return the device in the original packaging or a suitable transport container.

5.4 Disposal

Please help to protect the environment by always disposing of the work pieces and packaging materials in compliance with the valid national waste and recycling guidelines or reuse them.

6 Technical data

6.1 General

Type designation	DE38
Pressure type	Differential pressure
Medium	Neutral gaseous and fluid media
Measurement principle	Inductive

6.2 Input variables

Measuring ranges		0 ... 400	6	1	1.6	2.5	4	6
	Unit	mbar			bar			
Stat. operating pressure max.	bar	16			16			
Characteristic curve deviation ⁺⁾	%FS	Max.	2.5		2.5			
	%FS	Type	0.8		0.8			
TK span ^{x)}	%FS/10K	Max.	0.8		0.4			
		Type	0.2		0.2			
Tk zero-point ^{x)}	%FS/10K	Max.	0.8		0.5			
		Type	0.2		0.2			

⁺⁾ Characteristic curve deviation (non-linearity and hysteresis) at 25°C and rated voltage basic measuring range with linear characteristic curve, not spread

^{x)} In relation to the input range with a linear, not spread, characteristic curve.
Compensation range 0...60°C

6.3 Output sizes

An. output

Output signal	0/4 ... 20 mA		0 ... 10 V	
Operating voltage U_b	≤ 26 V	> 26 V	< 15 V	≥ 15 V
Apparent ohmic resistance	$R_L \leq \frac{U_b - 4}{0.02}$ V/A	$R_L > 1100$ Ω	$R_L \geq 10$ k Ω	$R_L \geq 2$ k Ω

Switching outputs

2 potential-free relay contacts

2 potential-free semiconductor switches (MOSFET)

	Relay	MOSFET
Progr. switching function	Open contact (NO) Break contact (NC)	One-pin activator (NO) One-pin deactivator (NC)
allowed Switching voltage	32 V AC/DC	12...32 V AC/DC
Max. switching current	2 A	0.25 A
Max. switching output	64 W / 64 VA	8 W / 8 VA $R_{ON} \leq 4$ Ω

6.4 Auxiliary energy

nominal voltage	24 V AC/DC
Admissible operating voltage	12 ... 32 V AC/DC
Absorbed current	2 W (2VA)

6.5 Operating conditions

Ambient temperature range	-10 ... +70 °C
Storage temperature range	-20 ... +70 °C
Medium temperature range	-10 ... +70 °C
Protection class IP	IP65 as per DIN EN 60529
EMC	EN 61326-1:2013 EN 61326-2-3:2013
RoHS	EN 50581:2012

6.6 Display and operating interface

Display

4-digit LCD, full graphic, colour backlighting

Programming

Damping	0.0...100.0s (jump response 10/90%)
Switch output	Switch-off point, switch-on point, response time (0...1800s), function (NC / NO contact)
Measuring range unit	mbar / Pa / "free unit", starting value, end value and decimal point for "free unit"
Output signal	User-definable within the basic measuring range ⁽¹⁾
Zero-point stabilising	0... $\frac{1}{3}$ of the basic measuring range ⁽²⁾
Zero point correction	$\pm\frac{1}{3}$ of the basic measuring range ⁽³⁾
Implementation of characteristic curve	linear, square rooted, table with 3...30 support points
Password	001 ... 999 (000 = no password protection)
Language (can be switched)	DE, EN, FR, ES, IT, PT, and HU

(1) Max. effective spread 4:1

(2) measured values around zero are set to zero.

(3) To compensate different installation positions.

6.7 Construction design

Process connection	Inner thread G $\frac{1}{8}$, cutting ring screw connections for 6 or 8 mm pipes
Electrical connection	Flange connector M12 Connector 1: 5 pin, male Connector 2: 4 pin, male
Installation position	User-defined
Dimensions	90 x 120 x 71 mm
Weight	Max. 1 kg

6.7.1 Materials

The list of materials is issued for the standard version.

Materials of the parts that come into contact with the medium		
Process connection	Screw connection	Stainless steel 1.4305 Nickel-plated brass
	Sealant	FKM
Pressure chamber		Brass, stainless steel 1.4310, 1.4405, 1.4305
Diaphragm	Option 1	Brass, NBR
	Option 2	Brass, Viton

Materials of the parts that come into contact with the surroundings	
Housing	PA 66
Foil keypad	Polyester
Electrical connection	PA, CuZn gold-plated
Wall mounting plate	Aluminium

6.7.2 Dimensional drawings

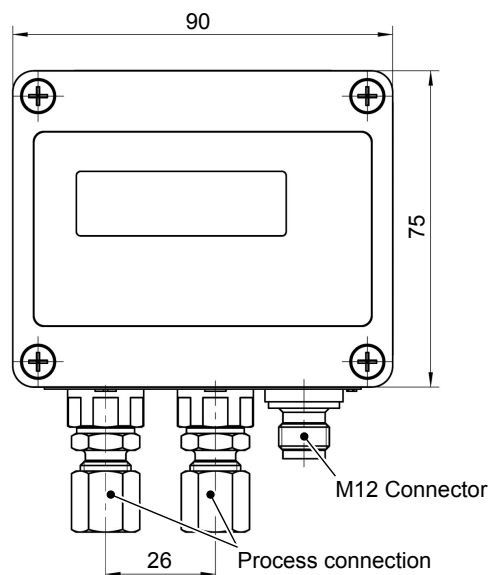


Fig. 18: Front view

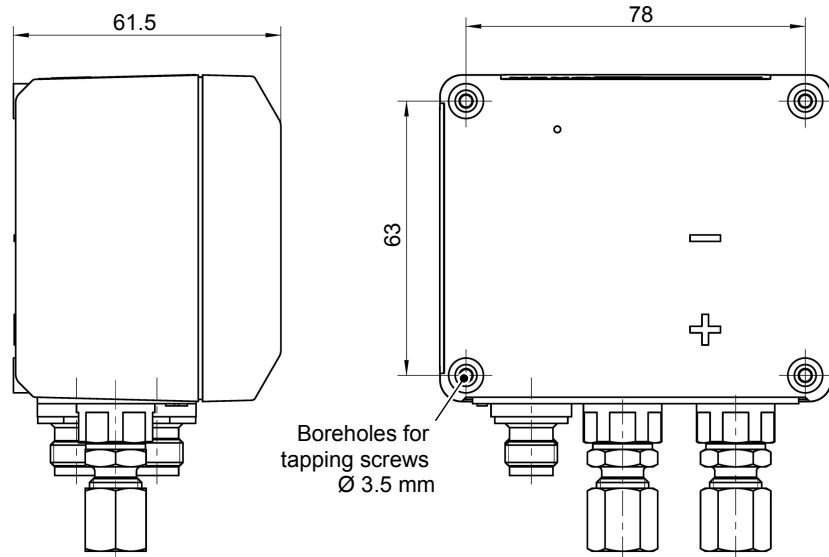


Fig. 19: Side and rear view

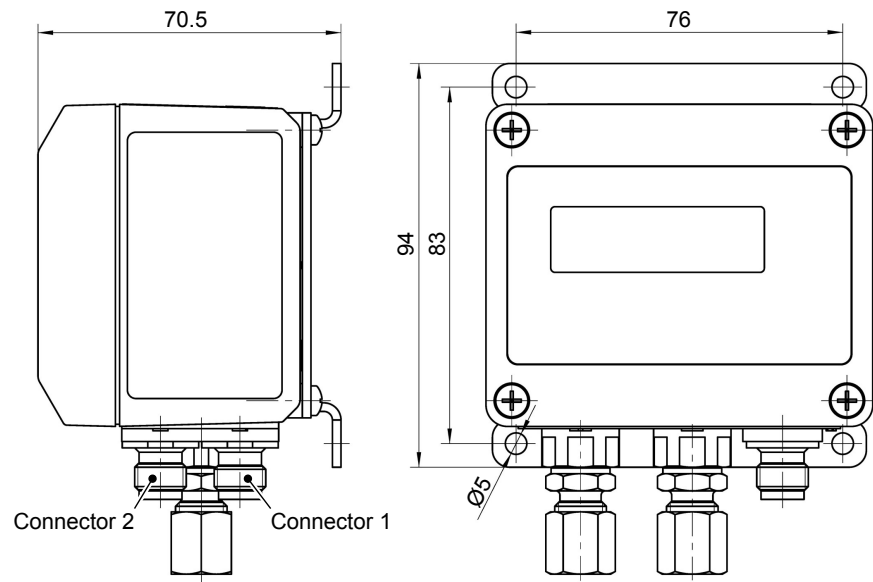
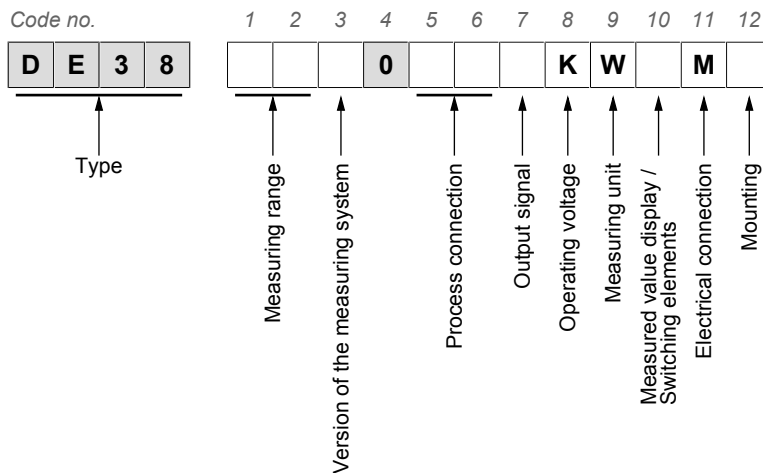


Fig. 20: Wall mounting

7 Order codes



Measurement range:

[1.2] (Code no.)	
83	0 ... 400 mbar
01	0 ... 0.6 bar
02	0 ... 1 bar
03	0 ... 1.6 bar
04	0 ... 2.5 bar
05	0 ... 4 bar
06	0 ... 6 bar

Design of the measuring system:

[3] (Code no.)	
M	Pressure chamber, diaphragm, seals made of brass and NBR
N	Pressure chamber, diaphragm, seals made of brass and Viton

Process connection:

[5.6] (Code no.)	
00	Inner thread G 1/8
28	Cutting ring connection in brass, galvanised for 6 mm tube
29	Cutting ring connection in brass, galvanised for 8 mm tube

Output signal:

[7] (Code no.)	
0	without output signal
A	0 ... 20 mA
P	4 ... 20 mA
C	0 ... 10 V

Operating voltage:

[8] (Code no.)	
K	24 V AC/DC

Measuring unit:

[9] (Code no.)	
W	Selectable pressure units

Measured value display / contact elements:

[10] (Code no.)	
C	4-digit LC display; 2 relay contacts
D	4-digit LC display; 2 semiconductor switches

Electrical connection:

[11] (Code no.)	
M	M12 plug connection

Assembly:

[11] (Code no.)	
0	Standard (attachment boreholes on rear side)
W	Wall mounting

7.1 Accessories

Order no.	Planned measures	No. of Poles	Length
06401993	M12 Connection cable for switching outputs	4-pin	2 m
06401994	M12 Connection cable for switching outputs	4-pin	5 m
06401563	M12 Connection cable for switching outputs	4-pin	7 m
06401572	M12 Connection cable for switching outputs	4-pin	10 m
06401995	M12 Connection cable for supply/signal	5-pin	2 m
06401996	M12 Connection cable for supply/signal	5-pin	5 m
06401564	M12 Connection cable for supply/signal	5-pin	7 m
06401573	M12 Connection cable for supply/signal	5-pin	10 m

Remote configuration

Order no.		
EU05 0000	Transmitter PC Interface incl. Software	without battery
EU05 0001	Transmitter PC Interface incl. Software	with battery



(Translation)

8 Attachments

EU Declaration of Conformity

For the product described as follows

Product designation **Digital differential pressure transmitter / switch with colour change LCD**

Type designation **DE38**

it is hereby declared that it corresponds with the basic requirements specified in the following designated directives:

2014/30/EU *EMC Directive*
2011/65/EU *RoHS Directive*

The products were tested in compliance with the following standards.

Electromagnetic compatibility (EMC)

DIN EN 61326-1:2013-07
EN 61326-1:2013

Electrical equipment for measurement, control and laboratory use - EMC requirements - Part 1: General requirements

DIN EN 61326-2-3:2013-07
EN 61326-2-3:2013

Electrical equipment for measurement, control and laboratory use - EMC requirements - Part 2-3: Particular requirements - Test configuration, operational conditions and performance criteria for transducers with integrated or remote signal conditioning

RoHS Directive (RoHS 2)

DIN EN 50581:2013-02
EN 50581:2012

Technical documentation for the assessment of electrical and electronic products with respect to the restriction of hazardous substances

Also they were subjected to the conformity assessment procedure „**Internal production control**“.

Sole responsibility for the issue of this declaration of conformity in relation to fulfilment of the fundamental requirements and the production of the technical documents is with the manufacturer.

Manufacturer **FISCHER Mess- und Regeltechnik GmbH**
Bielefelder Str. 37a
32107 Bad Salzufflen, Germany
Tel. +49 (0)5222 974 0

Documentation representative Mr. Torsten Malischewski
B.Sc.
Development department

The devices bear the following marking:



Bad Salzufflen
12 Feb 2019

G. Gödde
Managing director

09010361 • CE_EN_DE38_LCD • Rev. ST4-A • 02/19

1 / 1



Fig. 21: CE_DE_DE38_LCD



ЕВРАЗИЙСКИЙ ЭКОНОМИЧЕСКИЙ СОЮЗ ДЕКЛАРАЦИЯ О СООТВЕТСТВИИ

Заявитель Общество с ограниченной ответственностью «МАТИС-М». Место нахождения: 117261, город Москва, улица Вавилова, дом 70, корпус 3, комната правления, Российская Федерация. Адрес места осуществления деятельности: 109029, город Москва, город, Сибирский проезд, дом 2, корпус 12, Российская Федерация, Основной государственный регистрационный номер: 1037739575125, телефон: +7 495 725-23-09, адрес электронной почты: info@matis-m.ru

в лице Генерального директора Шарова Александра Анатольевича

заявляет, что Датчик/преобразователь перепада давления, тип DE13, DE25, DE27, DE38, DE39, DE40, DE44, DE45, DE46, DE49, DE50

Продукция изготовлена в соответствии с Директивой 2014/30/EU

Изготовитель «FISCHER Mess- und Regeltechnik GmbH»

Место нахождения: Bielefelder StraBe 37a, D-32107 Bad Salzuflen, Германия. Филиал завода-изготовителя: FISCHER Mess- und Regeltechnik GmbH, Место нахождения: Bielefelder StraBe 37a, D-32107 Bad Salzuflen, Германия.

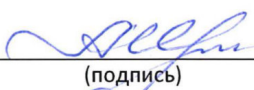
Код ТН ВЭД ЕАЭС 9026 20 200 0, серийный выпуск


Соответствует требованиям Технического регламента Таможенного союза ТР ТС 020/2011 "Электромагнитная совместимость технических средств"

Декларация о соответствии принята на основании протокола № 01331-02/2017-06 от 15.06.2017 года. Испытательной лаборатории (центра) продукции народного потребления "Отдел 101" Общества с ограниченной ответственностью "Межрегиональный центр исследований и испытаний", регистрационный номер аттестата аккредитации № RA.RU.21AO47 Схема декларирования: 3д

Дополнительная информация разделы 5 и 7 ГОСТ 30804.3.2-2013 (IEC 61000-3-2:2009) «Совместимость технических средств электромагнитная. Эмиссия гармонических составляющих тока техническими средствами с потребляемым током не более 16 А (в одной фазе). Нормы и методы испытаний», раздел 5 ГОСТ 30804.3.3-2013 (IEC 61000-3-3:2008) «Совместимость технических средств электромагнитная. Ограничение изменений напряжения, колебаний напряжения и фликера в низковольтных системах электроснабжения общего назначения. Технические средства с потребляемым током не более 16 А (в одной фазе), подключаемые к электрической сети при несоблюдении определенных условий подключения. Нормы и методы испытаний». Условия хранения продукции в соответствии с ГОСТ 15150-69. Срок хранения (службы, годности) указан в прилагаемой к продукции товаросопроводительной и/или эксплуатационной документации.

Декларация о соответствии действительна с даты регистрации по 14.06.2022 включительно


 (подпись)


 М.П. Шаров Александр Анатольевич
 (Ф. И. О. заявителя)

Регистрационный номер декларации о соответствии: ЕАЭС N RU Д-ДЕ.АЛ16.В.77757

Дата регистрации декларации о соответствии: 15.06.2017

Fig. 22: ЕАЭС N RU Д-ДЕ.АЛ16.В.77757

