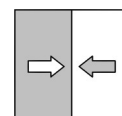




## Operating manual

### EA14D

Differential pressure evaluation unit  
with colour change LCD



## Masthead

**Manufacturer:****FISCHER Mess- und Regeltechnik GmbH**Bielefelderstr. 37a  
D-32107 Bad SalzufenTelephone: +49 5222 974 0  
Telefax: +49 5222 7170eMail: [info@fischermesstechnik.de](mailto:info@fischermesstechnik.de)web: [www.fischermesstechnik.de](http://www.fischermesstechnik.de)**Technical editorial team:**

Documentation representative: T. Malischewski

Technical editor: R. Kleemann

All rights, also those to the translation, reserved. No part of this document may be reproduced or processed, duplicated or distributed using electronic systems or any other form (print, photocopy, microfilm or another process) without the written consent of the company FISCHER Mess- und Regeltechnik GmbH, Bad Salzufen.

Reproduction for internal use is expressly allowed.

Brand names and procedures are used for information purposes only and do not take the respective patent situation into account. Great care was taken when compiling the texts and illustrations; Nevertheless, errors cannot be ruled out. The company FISCHER Mess- und Regeltechnik GmbH will not accept any legal responsibility or liability for this.

Subject to technical amendments.



© FISCHER Mess- und Regeltechnik 2018

**Version history**

Rev. ST4-A 06/18	Version 1 (first edition)
------------------	---------------------------

# Table of contents

<b>1</b>	<b>Safety instructions</b>	<b>4</b>
1.1	General	4
1.2	Personnel Qualification	4
1.3	Risks due to Non-Observance of Safety Instructions	4
1.4	Safety Instructions for the Operating Company and the Operator	4
1.5	Unauthorised Modification	4
1.6	Inadmissible Modes of Operation	4
1.7	Safe working practices for maintenance and installation work	5
1.8	Pictogram explanation	5
<b>2</b>	<b>Product and functional description</b>	<b>6</b>
2.1	Delivery scope	6
2.2	Intended use	6
2.3	Function diagram	6
2.4	Design and mode of operation	6
2.5	Equipment versions	7
<b>3</b>	<b>Assembly</b>	<b>9</b>
3.1	General	9
3.2	Process connection (external pressure transmitter)	9
3.3	Electrical connection (auxiliary energy, output signals)	10
<b>4</b>	<b>Start-up</b>	<b>12</b>
4.1	General	12
4.2	Configuration	12
4.3	LC display	12
4.4	Keyboard	13
4.5	Menu levels	14
<b>5</b>	<b>Servicing</b>	<b>27</b>
5.1	Maintenance	27
5.2	Transport	27
5.3	Service	27
5.4	Disposal	27
<b>6</b>	<b>Technical data</b>	<b>28</b>
6.1	Generalities	28
6.2	Input variables	28
6.3	Output sizes	28
6.4	Measurement accuracy	29
6.5	Auxiliary energy	29
6.6	Operating conditions	29
6.7	Display and operating interface	29
6.8	Construction design	30
<b>7</b>	<b>Order codes</b>	<b>34</b>
7.1	Accessories	35
<b>8</b>	<b>EU Declaration of Conformity</b>	<b>36</b>

# 1 Safety instructions

## 1.1 General

This operating manual is an integral part of the product and therefore needs to be kept close to the instrument in a place that is accessible at all times to the responsible personnel.

The following sections, in particular instructions about the assembly, commissioning and maintenance, contain important information, non-observance of which could pose a threat to humans, animals, the environment and property.

The instrument described in these operating instructions is designed and manufactured in line with the state of the art and good engineering practice.

## 1.2 Personnel Qualification

The instrument may only be installed and commissioned by specialized personnel familiar with the installation, commissioning and operation of this product.

Specialized personnel are persons who can assess the work they have been assigned and recognize potential dangers by virtue of their specialized training, their skills and experience and their knowledge of the pertinent standards.

## 1.3 Risks due to Non-Observance of Safety Instructions

Non-observance of these safety instructions, the intended use of the device or the limit values given in the technical specifications can be hazardous or cause harm to persons, the environment or the plant itself.

The supplier of the equipment will not be liable for damage claims if this should happen.

## 1.4 Safety Instructions for the Operating Company and the Operator

The safety instructions governing correct operation of the instrument must be observed. The operating company must make them available to the installation, maintenance, inspection and operating personnel.

Dangers arising from electrical components, energy discharged by the medium, escaping medium and incorrect installation of the device must be eliminated. See the information in the applicable national and international regulations.

Please observe the information about certification and approvals in the Technical Data section.

## 1.5 Unauthorised Modification

Modifications of or other technical alterations to the instrument by the customer are not permitted. This also applies to replacement parts. Only the manufacturer is authorised to make any modifications or changes.

## 1.6 Inadmissible Modes of Operation

The operational safety of this instrument can only be guaranteed if it is used as intended. The instrument model must be suitable for the medium used in the system. The limit values given in the technical data may not be exceeded.

The manufacturer is not liable for damage resulting from improper or incorrect use.

## 1.7 Safe working practices for maintenance and installation work

The safety instructions given in this operating manual, any nationally applicable regulations on accident prevention and any of the operating company's internal work, operating and safety guidelines must be observed.

The operating company is responsible for ensuring that all required maintenance, inspection and installation work is carried out by qualified specialized personnel.

## 1.8 Pictogram explanation



### **DANGER**

#### Type and source of danger

This indicates a **direct** dangerous situation that could lead to death or **serious injury** (highest danger level).

- a) Avoid danger by observing the valid safety regulations.



### **WARNING**

#### Type and source of danger

This indicates a **potentially** dangerous situation that could lead to death or **serious injury** (medium danger level).

- a) Avoid danger by observing the valid safety regulations.



### **CAUTION**

#### Type and source of danger

This indicates a **potentially** dangerous situation that could lead to slight or serious injury, damage or **environmental pollution** (low danger level).

- a) Avoid danger by observing the valid safety regulations.



### **NOTICE**

#### Note / advice

This indicates useful information of advice for efficient and smooth operation.

## 2 Product and functional description

### 2.1 Delivery scope

- 1 x differential pressure evaluation unit EA14D
- 2 x pressure transmitter incl. connection cable
- Operating Manual
  - Analysis unit
  - Pressure Transmitter

### 2.2 Intended use

The device can be used as a display and switching unit in combination with two external service sensors (0/4...20 mA and/or 0...10 V). The medium compatibility depends on the technical data of the sensors used.

### 2.3 Function diagram

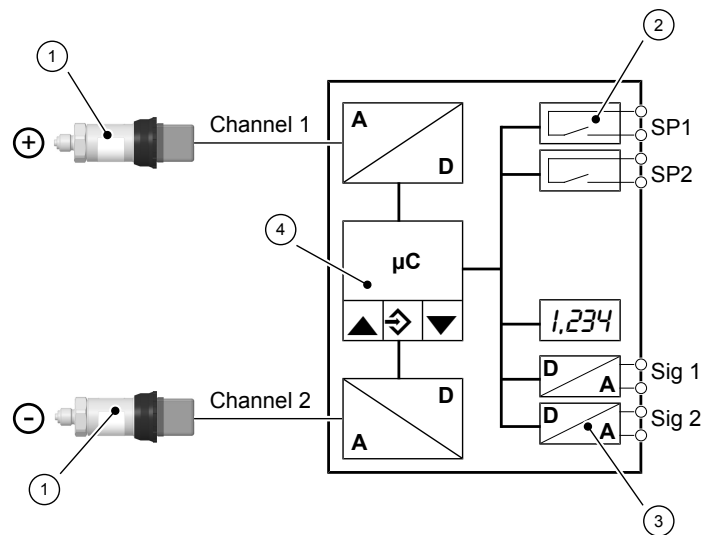


Fig. 1: Function diagram

1	External pressure sensor	2	Switch output
3	Optional analogue output	4	Micro-controller

### 2.4 Design and mode of operation

The device is based on an electronic evaluation circuit that analyses the measuring signals of two external pressure transmitters. The main task is the calculation of the differential pressure that can be displayed and analysed. The signals of the external pressure transmitters can be shown separately for review. The evaluation unit allows two independent switch points to be set. Optionally two additional output signals can be made available.

The external pressure transmitters are connected to the differential pressure evaluation unit via flexible plug connection lines. Only the supplied pressure transmitters may be connected. The nominal pressures of the external sensors and the basic measuring range are set ex-works and stated on the type plate.

## 2.5 Equipment versions

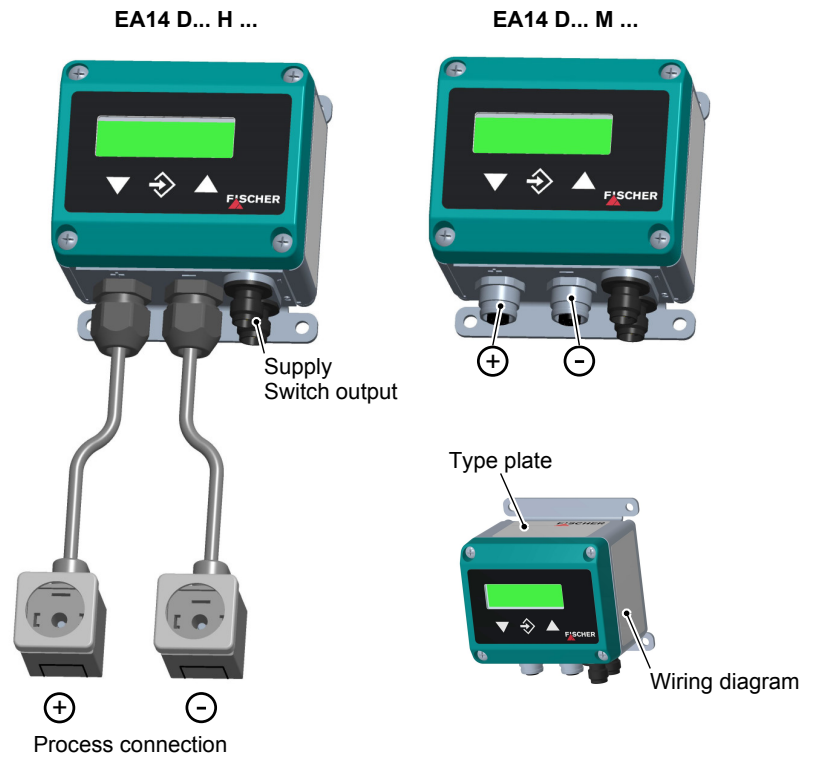


Fig. 2: Equipment versions

### 2.5.1 Assembly types



Fig. 3: Assembly types

## 2.5.2 Type plate

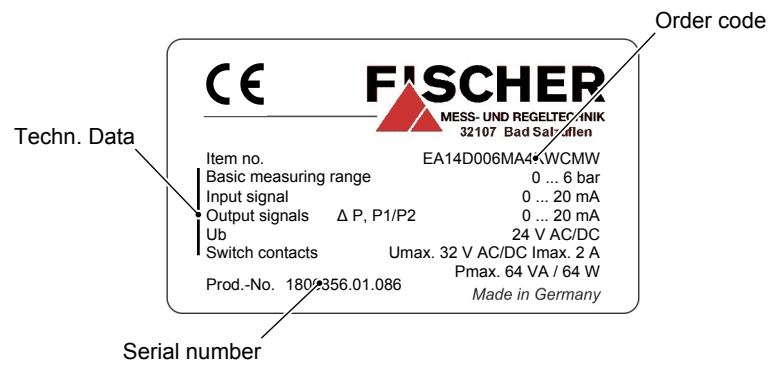


Fig. 4: Type plate



### 3 Assembly

#### 3.1 General

The device is designed for installation onto flat assembly plates. For screw connection to the assembly plate, the device features four assembly bores on its back, which can be used for Ø 3.5 mm tapping screws. Optionally, the device can be delivered with a wall-mounting plate, a front-mounted panel set or an adapter for assembly of the support rail.

#### 3.2 Process connection (external pressure transmitter)

- By authorized and qualified specialized personnel only.
- The pipes need to be depressurized when the pressure transmitter is being connected.
- Appropriate steps must be taken to protect the pressure sensors from pressure surges.
- Check that the pressure transmitter is suitable for the medium being measured.
- Please observe the maximum pressure levels.

The information about the connection of the pressure lines are stated in the operating instructions for the pressure transmitters. The external connection of the two external pressure transmitters is realised with a 2 or 3-line connection depending on the model. The supplied connection lines are manufactured accordingly.

##### 3.2.1 M12 plug connection

The plug assignment is identical for both inputs. The plug connections are marked with (+) and (-) on the equipment.

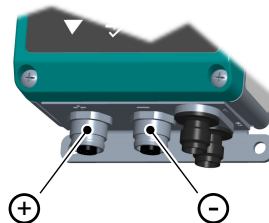
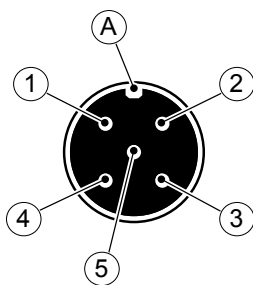
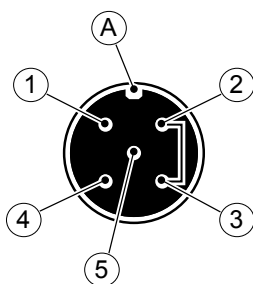


Fig. 5: Process connection



PIN	Signal (2L pressure transmitter)	
1	Pressure transmitter signal and supply (+)	+Sig <sub>T</sub> /+U <sub>T</sub>
2		
3	Pressure transmitter signal and supply (-)	-Sig <sub>T</sub> -U <sub>T</sub>
4		
5	Functional earth	Fe
A	Coding	

Tab. 1: Connection for 2-wire pressure transmitter



PIN	Signal (3L pressure transmitter)	
1	Pressure transmitter supply (+)	+U <sub>T</sub>
2	Pressure transmitter signal (-)	-Sig <sub>T</sub>
3	Pressure transmitter supply (-)	-U <sub>T</sub>
4	Pressure transmitter signal (+)	+Sig <sub>T</sub>
5	Functional earth	Fe
A	Coding	

Tab. 2: Connection for 3-wire pressure transmitter

### 3.2.2 Plug connector DIN EN 175301-803 A

The plug assignment is identical for both inputs. The plugs are marked with (+) and (-).

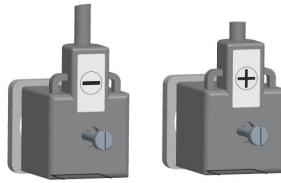
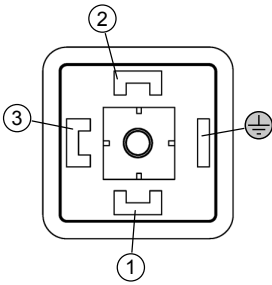


Fig. 6: Process connection



PIN	Signal (2L pressure transmitter)	
1	Pressure transmitter signal and supply (+)	+Sig <sub>T</sub> /+U <sub>T</sub>
2	Pressure transmitter signal and supply (-)	-Sig <sub>T</sub> -U <sub>T</sub>
3		
⊕	Functional earth	Fe

Tab. 3: Connection for 2-wire pressure transmitter

PIN	Signal (3L pressure transmitter)	
1	Pressure transmitter signal (+)	+Sig <sub>T</sub>
2	Pressure transmitter supply (+)	+U <sub>T</sub>
3	Pressure transmitter signal and supply (-)	-Sig <sub>T</sub> -U <sub>T</sub>
⊕	Functional earth	Fe

Tab. 4: Connection for 3-wire pressure transmitter

### 3.3 Electrical connection (auxiliary energy, output signals)

- By authorized and qualified specialized personnel only.
- When connecting the unit, the national and international electro-technical regulations must be observed.
- Disconnect the system from the mains, before electrically connecting the device.
- Install the consumer-adapted fuses.
- Do not connect the connector if strained.

The information about the approved operating voltage and the approved load for the analogue outputs are in the Technical Data section.

The M12 plugs are marked with (1) and (2) on the equipment.

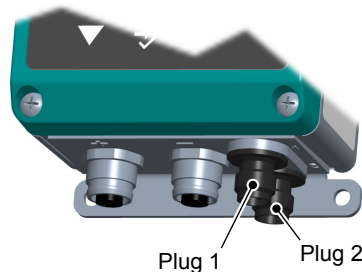


Fig. 7: Electrical connection

### 3.3.1 Plug 1: Auxiliary energy, analogue output

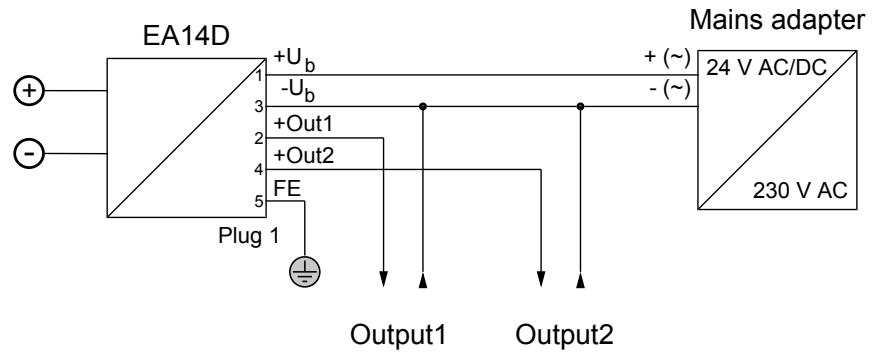
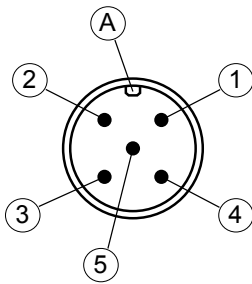


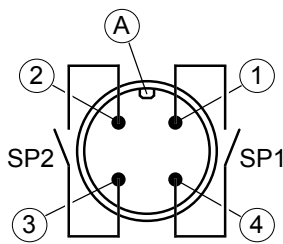
Fig. 8: Analogue output connection



PIN	Signal	
1	Operating voltage (+)	+U <sub>b</sub>
2	Analogue output 2 (+)	+Out2
3	Operating voltage (-)	-U <sub>b</sub>
4	Analogue output 1 (+)	+Out1
5	Functional earth	Fe
A	Coding	

Tab. 5: Auxiliary energy and analogue output connection

### 3.3.2 Connector 2: Switch output



PIN	Signal	
1	Switching output 1	SP1
2	Switching output 2	SP2
3	Switching output 2	SP2
4	Switching output 1	SP1
A	Coding	

Tab. 6: Connection of the switching outputs

## 4 Start-up

### 4.1 General

All electrical supply, operating and measuring lines, and the pressure connections must have been correctly installed before commissioning. All supply lines are arranged so that there are no mechanical forces acting on the device.

Check that the pressure connections do not leak before commissioning.

### 4.2 Configuration

During commissioning there are a number of setting options that allow the device to be adapted to the measuring point and measuring task. To facilitate the input, the individual parameters are placed into groups in so-called menu levels.

Depending on the device model some menu items are not available. For instance, no switch points can be set on a device without contacts.



## NOTICE

### Parameter configuration on the PC

All the device settings can be made easily on the PC using the PC adapter. You will need a Transmitter PC Interface and the associated PC software. For more details, please refer to the Accessories section. The PC software makes all parameters directly visible and accessible. Also, the entire configuration can be loaded, saved and documented as a printout.

### 4.3 LC display

In normal mode, the current measured value of an input channel is shown on a 4-digit LC display. To show very large values, it is possible to switch to a 5 or 6-digit presentation (see Parameter MB decimal place).

In the one-line presentation of the measured value, the display can be 'switched' to the respective other channel using the arrow ▲. As soon as the key is released, the originally display channel is shown again.

The unit is shown to the right of the measured value. If the device is equipped with contacts, a closed contact is always symbolised by an inverted text "SP1" or "SP2". One exception is the 1-channel bar chart diagram. Here, the switching points are symbolised with simple numbers "12".

Various colours can be selected for the back lighting. Depending on the measured value, the colour of the back lighting can be automatically changed. This can be used e.g. to depict good/poor differences. The back lighting can also be deactivated.

The measured value can also be shown in a bar chart. The measured value is also shown in smaller pictures as a number.

During the programming, the menu items and the associated parameters are shown on the display. The device continues to function whilst the parameters are being set; apart from one exception, the changes come into effect instantly. The exception here is a change of switching times - here the previously valid time must have run down.

#### (a) Operating mode differential pressure:

In this operating mode, the first channel is assigned to the differential pressure measurement. The second channel of the pressure measurement P+. According to this assignment, the measured values are shown (see Fig.). There is also an option for displaying all values, however it is then not possible to show a bar chart.

**SP1SP2**

Fig. 9: LC display 2SP

**(b) Operating mode 2-channel**

In this operating mode, the first channel is assigned to the differential pressure (P+). The second channel of the pressure measurement (P-). According to this assignment, the measured values and the channel numbers (ch1) and (ch2) are shown.

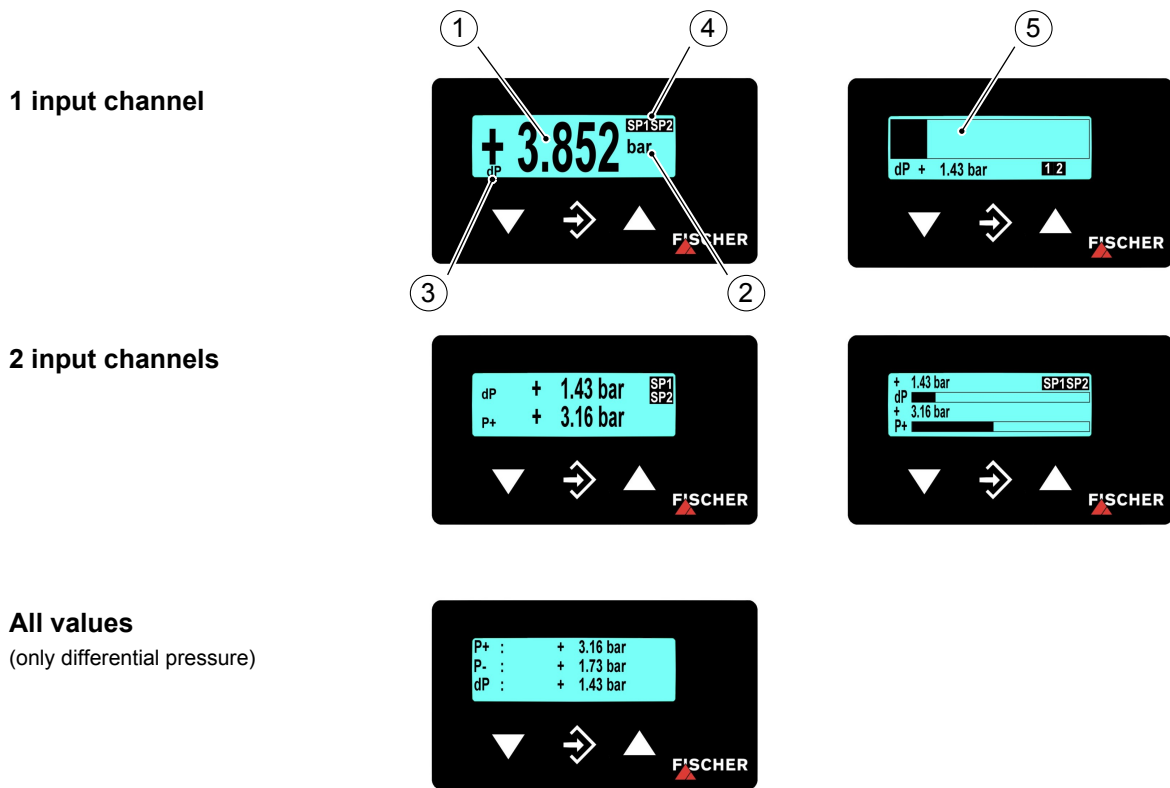


Fig. 10: LC display

1	Measured value	2	Unit
3	Input signal assignment	4	Status display of the switch points
5	Bar chart		

**4.4 Keyboard**

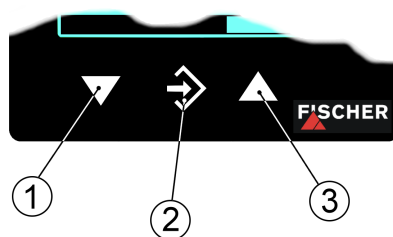


Fig. 11: Operating keys [LC display]

1	Page down menu	Reduce value
2	Call up menu	Save value
3	Page up menu	Increase value

The individual menu items and parameters can be displayed using the buttons ▲ and ▼. The respective menu item is selected or the parameters for making changes are called up via the button ⇨.

If a parameter can be changed, the display flashes. The change is made via the buttons ▲ and ▼. The value is saved with the button ⇨.

To leave a menu level or the entire menu, select the parameter "Menu level Quit" and press ⇨.

**Example:**

**Switch-on point set switchpoint 1**

In normal mode, press the button ⇨ to enter the menu. The menu level Switch points appears. Press the enter key ⇨ again to call up the display parameter.

The first parameter SP 1 On is displayed. To change this parameter, press the button ⇨ again.

The device jumps to the input:

- The parameter is stated in the 1st line.
- The value that is to be changed is shown in the 2nd line, the display flashes.
- The input limits are displayed in the 3rd line (if there is one).

The required value is set with the buttons ▲ and ▼ and then confirmed with ⇨.

**4.5 Menu levels**

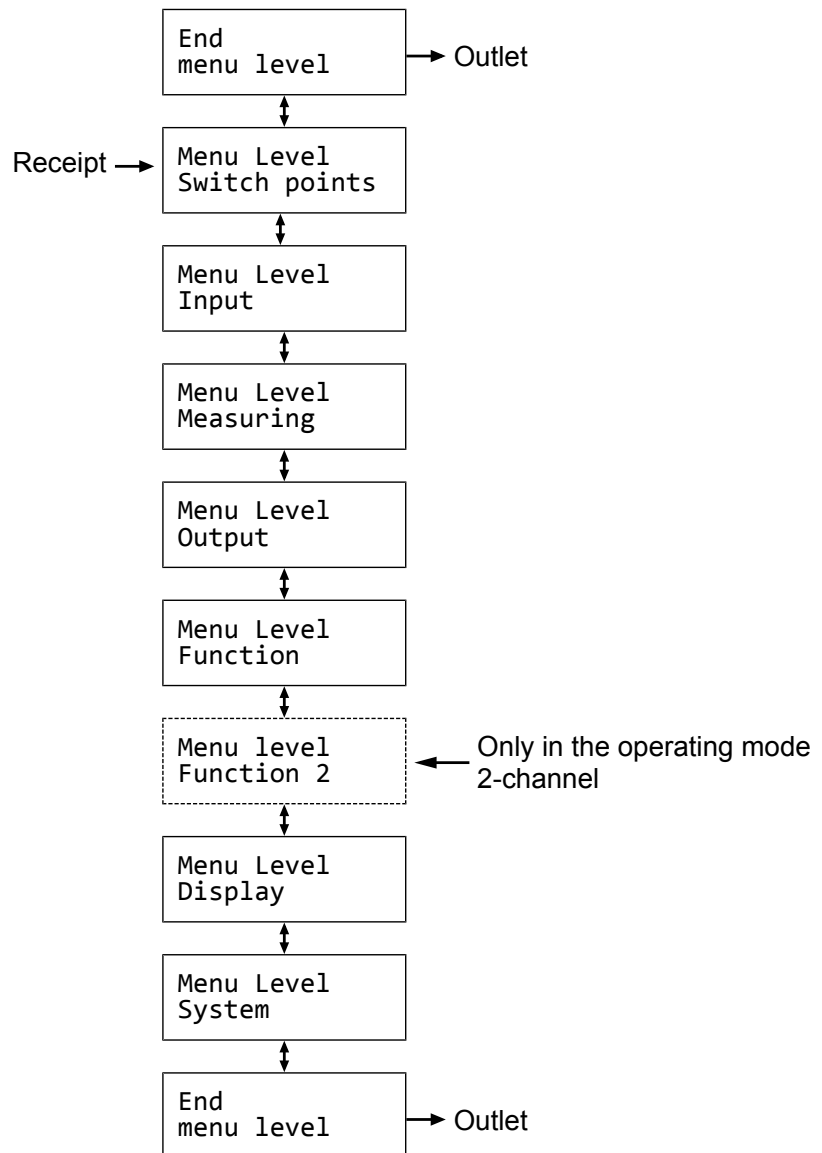


Fig. 12: Menu levels

### 4.5.1 Menu Level Switch points (2SP)

Parameter name	Description	Value range
<b>SP1 On</b>	Switch point 1 On	MBA-50% ... MBE+50%
<b>SP1 Off</b>	Switching point 1 off	MBA-50% ... MBE+50%
<b>SP1 delay</b>	Switching point 1 delay	0...1800 s
<b>SP1 Function</b>	Switching point 1 function	NO, NC
<b>Assignment SP</b>	Channel assignment	Channel 1, 2 and 1+2
<b>SP2 On</b>	Switch point 2 On	MBA-50% ... MBE+50%
<b>SP2 Off</b>	Switching point 2 off	MBA-50% ... MBE+50%
<b>SP2 delay</b>	Switching point 2 delay	0...1800 s
<b>SP2 Function</b>	Switching point 2 function	NO, NC

The two switching outputs are configured by four parameters respectively. For the switch point 1 these are:

- **SP1 On**
- **SP1 Off**
- **SP1 delay**
- **SP1 Function**

Accordingly for switch point 2:

- **SP2 On**
- **SP2 Off**
- **SP2 delay**
- **SP2 Function**

The function of the individual parameters is explained for both switch points using Switch point 1 as an example.

**SP1 On** defines the activation point, **SP1 Off** the deactivation point of switching output 1. The values are shown in the valid unit and set accordingly. The values are shown in the valid unit and set accordingly. Both parameters can be set independently over the entire value range.

The value range ranges from MBA – 50% to MBE + 50%. MBA stands for start of measuring range and MBE for the end of the measuring range.

#### Example:

**Measuring range = 0 ... 100 %**

The value range for this measuring range is -50 % ... +150 %.

#### Function of the switch points

Together, the two parameters **SP1 On** and **SP1 Off** determine the switch function of switching output 1:

- If **SP1 On** > **SP1 Off**, the output switches on, if the measured value exceeds SP1 On. It is only switched off again if the measured value SP1 Off is undercut (hysteresis function).
- If **SP1 On** = **SP1 Off**, the output switches on if the measured value exceeds SP1 On and off if the measured value undercuts the same value (SP1 Off).
- If **SP1 On** < **SP1 Off**, the output switches on, if the measured value lies within these switch points: i.e:  
**SP1 On** < Measured value < **SP1 Off** (window function).

**SP1 Delay** allows the reaction of the switch output 1 to be delayed by between 0 and 1800 s. This parameter applies equally for switching on and off.

**SP1 Function** changes the function of the switching output 1. It is possible here to define whether the contact should work as a open contact (NO) or a break contact (NC).

**Assignment SP** is used to define the input to which the contacts are assigned. The following options are available:

- Channel 1  
Both contacts are assigned to channel 1.
- Channel 1, channel 2  
A contact is assigned to every channel.  
Channel 1: SP1  
Channel 2: SP2
- Channel 2  
Both contacts are assigned to channel 2.

The unit and the input range are adapted accordingly when entering the switch points.

#### 4.5.2 Menu Level Input

Operating mode	Channel 1	Channel 2
Differential pressure	Differential pressure (dP)	Pressure (P+)
2-channel	Pressure (P+)	Pressure (P-)

#### Channel 1:

Parameter name	Description	Value range
<b>Absorption</b>	Damping	0...100 s
<b>Offset corr.</b>	Offset correction	1/3 basic measuring range
<b>Zero-pt. wind.</b>	Zero-point window	1/3 basic measuring range

#### Channel 2:

Parameter name	Description	Value range
<b>Absorption 2</b>	Damping	0...100 s
<b>Offset corr. 2</b>	Offset correction	1/3 basic measuring range
<b>Zero-pt. wind.2</b>	Zero-point window	1/3 basic measuring range

The parameters for both channels are set in the same way. The following explains the parameters for the first channel as an example for both channels.

If there are unsteady measurement readings during operation, you can use the parameters **Absorption** and **Zero-pt. wind.** to stabilize the reading (and the output signal).

The parameter **Absorption** functions like a capillary throttle. However, it only acts on the display, output signal and switch points (if these exist) but not on the measuring cell itself.

You can set the response time to measuring value jumps in the range 0.0 to 100 s.



## NOTICE

### Response time

At maximum damping, it can take over 2 minutes until after a measurement jump from 100% to 0% is also shown as zero in the display.

In many cases, unsteady readings are not a problem during normal operating mode, but this is not true for the idle state, i.e. if a measured value of zero is expected. The parameter **Zero-pt. wind.** is designed to solve this. Its value defines a range around zero at which the measured value is set to zero (see fig.).



The display only stops showing zero when the measurement leaves the set window. When reaching double the value, the measured value and the reading match again. This avoids jumps in the display.

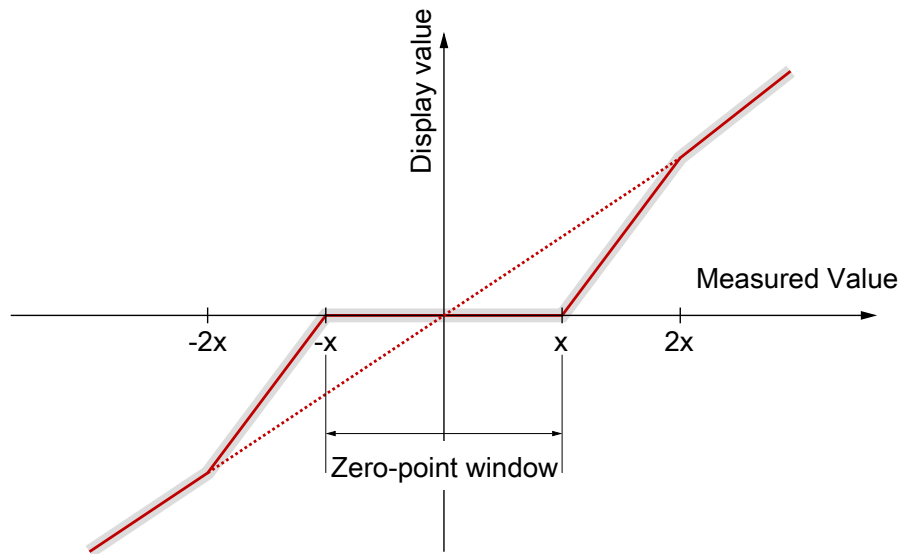


Fig. 13: Zero-point window

It may be necessary to set the offset to correct the impact of the installation position.

Select the **Offset corr.** parameter and correct the reading using the buttons ▲ or ▼ until zero is shown in the display.

When setting the offset, the current measured value is displayed. The zero-point window is not active during the offset setting.

### 4.5.3 Menu Level Measurement

Depending on the selected operating mode, the 'Measuring' menu is shown differently.

Differential pressure:

Parameter name	Description	Value range
<b>MB start</b>	Measuring range start	Basic measuring range
<b>MB end</b>	Measuring range end	Basic measuring range
<b>Unit</b>	Measuring range unit	
<b>Limit</b>	Measuring range limit	yes, no
<b>Mode</b>	Operating mode	Differential pressure 2-channel

2-channel:

Parameter name	Description	Value range
<b>MB start</b>	Measuring range start channel1	Basic measuring range
<b>MB end</b>	Measuring range end channel1	Basic measuring range
<b>Unit</b>	Measuring range unit channel1	
<b>Limit</b>	Measuring range limit channel1+2	yes, no
<b>Mode</b>	Operating mode	Differential pressure 2-channel
<b>MB start 2</b>	Measuring range start channel2	Basic measuring range
<b>MB end 2</b>	Measuring range end channel2	Basic measuring range
<b>Unit 2</b>	Measuring range unit channel2	

The output signals of the transmitter primarily depend on the measured input variables (channel 1 or channel 2). However, you have the option of adjusting the output signals to a large extent to suit your requirements.

The operating mode parameter can be used to switch between the differential pressure measuring and two-channel relative pressure measuring.



## NOTICE

### Change of the operating mode

After changing the operating type, some values (unit, spread, table function) are reset to the default values.

These values need to be checked by the user and corrected if necessary, or define the operating mode at the beginning of the configuration process.

The measuring range of channel 1 is configured by three parameters. In the 2nd channel operating mode, channel 2 is configured analogue to the first channel. The settings are more or less identical for both channels and are explained in the following using channel 1 as an example.



## NOTICE

### Adjustment of the output signal

The basic measuring range (indicated on the type label) and the type of output signal (voltage / current) are not variable.

The parameters **MB start** and **MB end** initially define the two measurements between which the output signal will change at all. Both values are adjustable across the entire basic measuring range. The set values also refer to the measurement in the respective unit. However, the signal values (current / voltage) for Start of measuring range and End of measuring range are fixed.

If **MB start** is smaller than **MB end**, this is called an increasing characteristic curve; the output signal increases as the measurement increases.

If **MB end** is smaller than **MB start**, this is a decreasing characteristic curve and the output signal decreases as the measurement increases.

The difference between the values **MB start** and **MB end** must be at least 10 % of the basic measuring range.

You can select a unit other than the unit of the basic measuring range with the parameter **Unit**. The user should remember however that not every unit is suitable. The conversion is automatic.

The parameter **Limit** allows the display, output and switching points to be limited to the range between Start of measuring range and End of measuring range. If Limit is set to "no", those measured values that are greater or smaller than the end values are shown. In the 2-channel operating mode, the limitation impacted on both channels.

#### 4.5.4 Menu Level Output

The type of output signal (0/4...20 mA, 0...10V) must be stated on the order and cannot be changed.

##### (a) Operating mode differential pressure:

There are two output signals available. Output 1 (Sig1) is permanently assigned to the differential pressure signal (dP). An assignment can be defined for output 2 (Sig2) using the parameter **Assignment out 2**. This parameter only appears in this operating mode,

**(b) Operating mode 2-channel**

There are two output signals available. Output 1 (Sig1) is permanently assigned to the pressure at input (P+) and output 2 (Sig2) is permanently assigned to the pressure at input (P-).

**Output 1 (Sig1)**

Parameter name	Description	Value range
<b>min. output</b>	min. output 1	
<b>max. output</b>	max. output 1	0.0 ... 21.0 mA or 0.0 ... 11.0 V
<b>Error signal</b>	Error signal 1	

**Output 2 (Sig2)**

Parameter name	Description	Value range
<b>min. output 2</b>	min. output 2	
<b>max. output 2</b>	max. output 2	0.0 ... 21.0 mA or 0.0 ... 11.0 V
<b>Error signal 2</b>	Error signal 2	

**Only operating mode differential pressure:**

Parameter name	Description	Value range
<b>Assignment Out 2</b>	Assignment output 2	dP, P+, P-, function

The parameter **Assignment out 2** can define which signal is to be issued on the 2nd analogue output. In the case of the latter 'Function' assignment, the settings in the function menu for the 2nd analogue output are used.

Both outputs are configured in the same way, which is why this is only explained for the first output.

The parameters **min. output**, **max. output** and **error signal** define the limits of the output signal that may not be undercut or exceeded regardless of the measured variable. The limit values take priority over the range defined by the **MB start** and **MB end** parameters! These parameters primarily serve to prevent error messages in downstream systems caused by brief overstepping of measuring ranges.

The parameter **Min. output** is usually only used for devices with an output signal 4...20 mA because frequently values of below 3.8 mA are evaluated as error signals.

The **Max. output** value can be used for the voltage and current to limit the maximum value.

The value defined via the parameter **Error signal** is issued if the device detects an internal error and can no longer work correctly. It should be noted here that not all potential errors and faults can be detected by the device itself.

**4.5.5 Menu Level Function**

The Function menu level is a variable menu whose appearance depends on the value of the Function parameter. There are linear, square rooted and table functions



**NOTICE**

**Operating mode**

In the differential pressure operating mode, only the Function menu level appears whilst in the 2-channel operating mode a further Function 2 menu level appears.

**Linear function**

The input signal is linear before being sent to the display and the output. The range defined in the menu "Measuring" serves as the measuring range. If the function LINEAR is active, the other menu items are cancelled.

Parameter name	Description	Value range
<b>Function</b>	Function	<b>Value = linear</b>

## Square rooted function

Here, the input signal is square rooted before being sent to the display and the output. A free unit can be defined for the display. To do this, the start and end of the display range and the number of decimal points are defined. It is also possible to define the unit with 4 characters.

Parameter name	Description	Value range
<b>Function</b>	Function	<b>Value = square rooted</b>
<b>MB decimal pl.</b>	Measuring range decimal places	1234, 123.4, 12.34, 1,234, 12345, 123456
<b>MB start</b>	Measuring range start	-9999 ... +9999
<b>MB end</b>	Measuring range end	-9999 ... +9999
<b>MB unit</b>	Measuring range unit	4 characters

The following section contains descriptions of the parameters **MB decimal pl.**, **MB start**, **MB end** and **MB unit** to describe the table function.

## Tables function

This function allows free adjustment of the input variable to the display and output via a table with up to 30 support points. A value pair comprising a measured value and display value is issued for every support point.



## NOTICE

### Change of parameter

When switching from TABLE to another function, the table is initialised again and the existing values are lost.

Parameter name	Description	Value range
<b>Function</b>	Function	<b>Value = Table</b>
<b>MB decimal pl.</b>	Measuring range decimal places	1234, 123.4, 12.34, 1,234, 12345, 123456
<b>MB start</b>	Measuring range start	-9999 ... +9999
<b>MB end</b>	Measuring range end	-9999 ... +9999
<b>MB unit</b>	Measuring range unit	4 characters
<b>No. of pairs</b>	Number of pairs	n = 3...30
<b>Value pair1</b>	Value pair 1	MB-start ... MB-end
<b>Value pair2</b>	Value pair 2	
<b>Value pair3</b>	Value pair 3	
	...	
<b>Value pair30</b>	Value pair 30	

The display range is defined with the parameters **MB decimal pl.**, **MB start** and **MB end**. The user can select the configuration freely.

Using the parameter **MB decimal pl.**, it is possible to select between a 5 or 6-digit presentation. The resolution is not increased. Only an extra zero or two zeros are added. This serves the correct display of larger values. The measuring range must be positive for the 6 digit presentation.

The **MB unit** gives the user the option of defining a completely independent unit. Letters, numbers or special characters can be used. The unit can be max. 4 characters long.

If the function TABLE is selected, then it is also necessary to state the **No. of pairs**. It is defined here how many pairs of values (support points) are used in the table. A table is made up of at least 3, max. 30 support points.



## NOTICE

### Number of value pairs

If the number of value pairs is changed, the table is initialised again and the existing values are deleted.

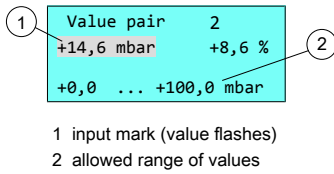


Fig. 14: Value pair

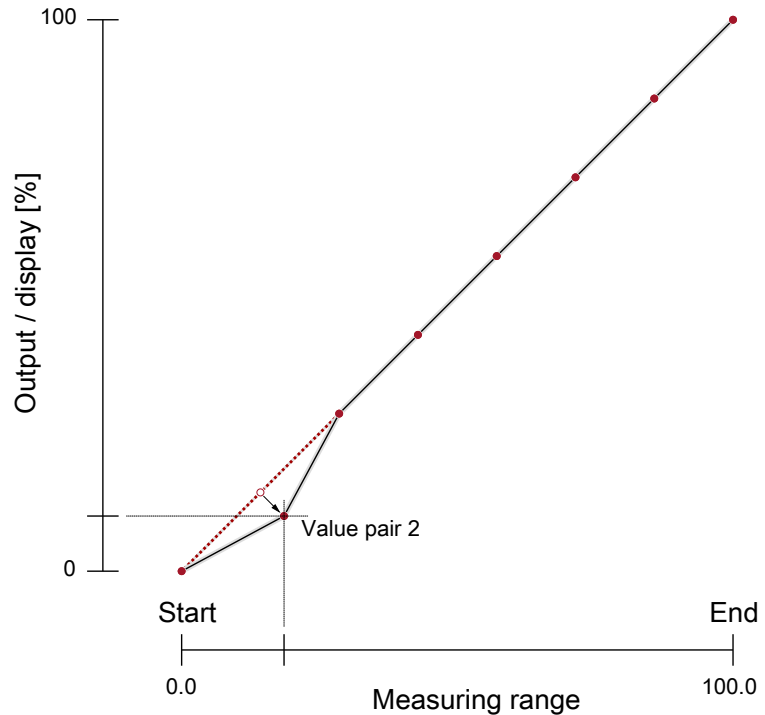


Fig. 15: Table function (example)

The individual value pairs can be seen and changed with the **Value pair1** to **Value pair30** parameters. A value pair comprises a measured value (left side) and a display value (right side). The measured value must lie within the measuring range and the display value must lie within the defined "free unit". The respective limits are shown during input. The table must contain either increasing or decreasing values. the table must contain either continuously increasing or continuously failing values. A change from an increasing to a decreasing characteristic curve within a support point table is not allowed.

#### 4.5.6 Menu level function 2

This menu level only appears, if the 2-channel operating mode has been set. The parameters on this menu level are identical to the parameters on the function menu level. Therefore the parameters are not described again here.

### 4.5.7 Menu Level Display

The Display menu level is a variable menu whose appearance depends on the value of the colour parameter. In addition to the various colours for the background lighting, there are also two auto-functions with colour switching available.

Parameter name	Description	Value range
<b>Assignm. switch.</b>	Assignment of the colour switch	Channel 1, channel 2
<b>Colour</b>	Colour	Off, red, green, yellow, blue, pink, turquoise, white, <b>Auto1: Red-green</b> <b>Auto2: Red-yellow-green</b>
<b>Lighting</b>	Lighting time	0 s, 10 ... 600 s
<b>Contrast</b>	Contrast	15 ... 45
<b>Bar chart</b>	Bar chart display	yes, no
<b>Channel select.</b>	Channel selection	Channel 1, channel 2, both channels alternating 3s, 6s, 9s

The parameter **Assignm. switch.** is used to define an input channel to which the colour change refers.<sup>(1)</sup> The most important parameter however is **Colour**. A fixed colour can be defined for the background colour here. There are also two auto-functions with colour switching available. Alternatively, the background illumination can be permanently deactivated.

If permanent lighting is not required, the parameter **Lighting** can be used to define when the lighting should be switched off after the last time a button is pressed. In addition to permanent lighting (0 s), automatic shut-down after 10... 600 s is also possible. The set time is only valid if the parameter **Colour** is not set to "off".

Amongst other things, the legibility of the display depends on the temperature and the reading angle. To ensure optimised legibility, the display can be adjusted using the parameter **Contrast**. When the contrast is changed, it is possible that the display appears empty or almost completely black. In this case, the contrast must be turned up or down.

Via the parameter **Bar chart**, the display can be switched between a display where the measured value is either shown in large digits or the display shows small digits and an additional bar chart.

The **Channel select.** parameter offers the user the option of deciding which of the measured values need to be shown on the display. The following values can be entered for the parameter:

- Channel 1
- Channel 2
- Both channels
- alternating 3s, 6s or 9s

The time that a measurement is shown on the display can be set with the value 'alternating'. The channel is changed after this time.

<sup>(1)</sup> This parameter only appears if a colour change function has been selected.

### Auto1: Colour-change red to green

If parameter **Colour** is set to Auto 1: red-green, the menu changes as follows:

Parameter name	Description	Value range
<b>Assignm. switch.</b>	Assignment switching	Channel 1, channel 2
<b>Red-Gr. switch.</b>	Red-green switching	MB-start - 50% ...
<b>Gr-Red switch.</b>	Green-red switching	MB-end + 50%
<b>Hysteresis</b>	Hysteresis	0.1 ... 10.0 %
<b>Delay</b>	Delay	0 ... 1800 s
<b>Colour</b>	Colour	Off, red, green, yellow, blue, pink, turquoise, white, <b>Auto1: Red-green</b> Auto2: Red-yellow-green
<b>Lighting</b>	Lighting time	0 s, 10 ... 600 s
<b>Contrast</b>	Kontrast (contrast)	15 ... 45
<b>Bar chart</b>	Barchart display	yes, no
<b>Channel select.</b>	Channel selection	Channel 1, channel 2

The parameter **Assignm. switch.** is used to define an input channel to which the colour change refers.

In the Auto 1 mode with the automatic colour switchover, the parameters **Red-Gr. switch.** or **Gr-Red switch.** serve to enter the required thresholds. The colour change F1 and F2 can be moved anywhere within the measuring range. The series of colour changes however cannot be altered.

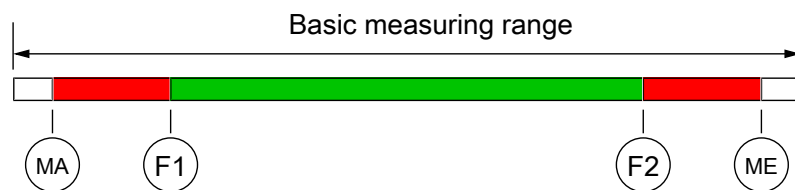


Fig. 16: Function Auto1

MA	<b>MB-start</b>	Measuring range start
F1	<b>Red-Gr. switch.</b>	Red-green switching
F2	<b>Gr-Red switch.</b>	Green-red switching
ME	<b>MB-end</b>	Measuring range end

The parameter **Hysteresis** can be used to prevent fast and unwanted colour changes. The hysteresis is set in the range 0.1... 10 %.



## NOTICE

### Overlapping colour areas

Note: In the case of large hysteresis values, steps must be taken to ensure that the ranges of the individual colours do not overlap. Otherwise it is possible that the colour change may not function in the desired way.

The parameter **Delay** offers a further option to prevent unwanted colour changes. The colour change here can be delayed between 0...1800 s.

The parameters **Lighting**, **Contrast**, **Bar chart** and **Channel select.** are explained in the previous section.

## Auto2: Colour-change red-yellow-green

If the parameter Colour is set to Auto 2: red-yellow-green, the menu changes as follows:

Parameter name	Description	Value range
<b>Assignm. switch.</b>	Assignment switching	Channel 1, channel 2
<b>Red-Yell.switch.</b>	Red-yellow switchover	MB-start - 50% ... MB-end + 50%
<b>Yell.-Gr.switch.</b>	Yellow-green switchover	
<b>Gr.-Yell. switch</b>	Green-yellow switchover	
<b>Yell.-Red switch</b>	Yellow-red switchover	
<b>Hysteresis</b>	Hysteresis	0.1 ... 10.0 %
<b>Delay</b>	Delay	0 ... 1800 s
<b>Colour</b>	Colour	Off, red, green, yellow, blue, pink, turquoise, white, Auto1: Red-green <b>Auto2: Red-yellow-green</b>
<b>Lighting</b>	Lighting time	0 s, 10 ... 600 s
<b>Contrast</b>	Kontrast (contrast)	15 ... 45
<b>Bar chart</b>	Barchart display	yes, no
<b>Channel select.</b>	Channel selection	Channel 1, channel 2

In the Auto 2 mode with the automatic colour switchover, it is possible to enter the required switch thresholds via the parameters **Red-Yell.switch.**, **Yell.-Gr.switch.**, **Gr.-Yell. switch**, **Yell.-Red switch**. The colour change F1, F2, F3 and F4 can be moved anywhere within the measuring range. The series of colour changes however cannot be altered.

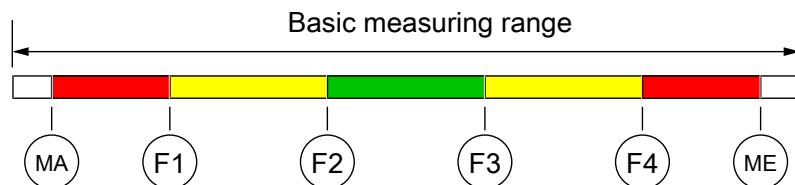


Fig. 17: Function Auto2

MA	<b>MB-start</b>	Measuring range start
F1	<b>Red-Yell.switch.</b>	Colour-change red to yellow
F2	<b>Yell.-Gr.switch.</b>	Colour-change yellow to green
F3	<b>Gr.-Yell. switch</b>	Colour-change green to yellow
F4	<b>Yell.-Red switch</b>	Colour-change yellow to red
ME	<b>MB-end</b>	Measuring range end



## NOTICE

### Unused range

If a range is not to be used, the associated switch thresholds (F1...F4) can be set to the same value.



**Example**

The parameter Colour is set to Auto2. Only the green, yellow and red ranges are required here. To fade out the lower ranges red and yellow, the switch thresholds "red-yellow switching" and "yellow-green switching" are set to the start of the measuring range.

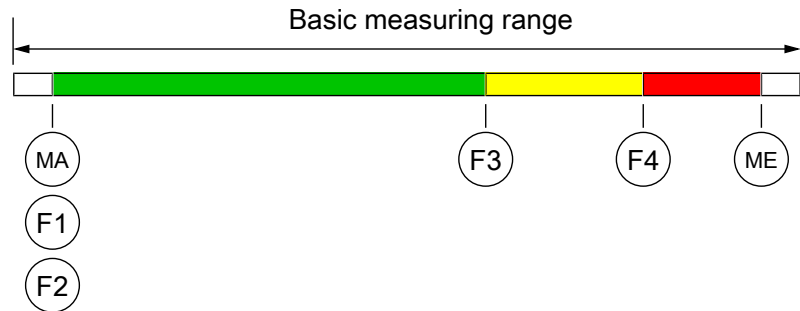


Fig. 18: Example Auto2

The parameters **Hysteresis**, **Delay**, **Lighting**, **Contrast**, **Bar chart** and **Channel select** are explained in the previous sections.

**4.5.8 Menu Level System**

Parameter name	Description	Value range
<b>Language</b>	Language change	DE, EN, FR, ES, IT,PT,HU
<b>Software Info</b>	Information about the software	Device type, serial number, firmware version
<b>Config. Info</b>	Information about the configuration	Basic measuring range, output signal, contacts
<b>Statistics</b>	Statistics	Operating time, switch cycles of the contacts
<b>Password</b>	Password	0/1...999
<b>Load config.</b>	Load configuration	
<b>Save config.</b>	Save configuration	

The user menu can be switched to German, English, French, Spanish, Italian, Portuguese or Hungarian using the parameter **Language**.

The menu items **Software Info** and **Config. Info** provide information about the device. This information helps to answer questions about the device quickly.

- The serial number and the firmware version is shown in **Software info**. If a 'designation' has been assigned, this is also issued. Please note that a 'designation' can only be entered with the PC software by remote configuration.
- The basic measuring range, the defined output signal and existing contacts are stated in the **Config. Info**.

The **Statistics** provide information about the operating time and the relay switching cycles from the time of delivery. The operating time is shown in days (d) and hours (h)

A **Password** can be used to protect the menu against unauthorised access. The password is a figure from 1 to 999. The input 0 means that no password is active.

The password needs to be set if the user presses the button in normal mode to enter the menu. If a wrong password is entered, the system automatically jumps back to normal mode again. If no password is active, the display immediately jumps to the menu.



## NOTICE

### Forgotten password

The user cannot restore a forgotten password. Please contact the manufacturer in this case.

The user can load a saved configuration via the menu item **Load config**. This means that a functional set of parameters can be loaded after trying out various settings.

The menu item **Save config** serves to save the existing parameters in a protected memory area. This is helpful if the settings of a functional device needs to be optimised. **Save config** and **Load config** can be used to quickly restore the initial status again.



## NOTICE

### Delivery condition

If the user has not yet saved a configuration, the default values (status on delivery) are loaded. In this case, any measuring range spreads or switch points are reset and the device needs to be newly configured.

## 5 Servicing

### 5.1 Maintenance

The instrument is maintenance-free. We recommend the following regular inspection to guarantee reliable operation and a long service life:

- Check the function in combination with downstream components.
- Check the leak-tightness of the pressure connection lines.
- Check the electrical connections.

The exact test cycles need to be adapted to the operating and environmental conditions. In combination with other devices, the operating instructions for the other devices also need to be observed.

### 5.2 Transport

The measuring device must be protected against impacts. It should be transported in the original packaging or a suitable transport container.

### 5.3 Service

All defective or faulty devices should be sent directly to our repair department. Please coordinate all shipments with our sales department.



#### **WARNING**

##### **Process media residues**

Process media residues in and on dismantled devices can be a hazard to people, animals and the environment. Take adequate preventive measures. If required, the devices must be cleaned thoroughly.

Return the device in the original packaging or a suitable transport container.

### 5.4 Disposal

Please help to protect the environment by always disposing of the work pieces and packaging materials in compliance with the valid national waste and recycling guidelines or reuse them.

## 6 Technical data

### 6.1 Generalities

The stated technical data only refer to the differential pressure evaluation unit EA14D and never take into account the properties of the connected pressure transmitter.

### 6.2 Input variables

Analogue input (Pressure transmitter signal)	Channel 1 and 2	Type of con- nection
Current signal in compliance with DIN IEC 60381-1	0 ... 20 mA	3-Wire
	4 ... 20 mA	2-Wire
Voltage signal in compliance with DIN IEC 60381-2	0 ... 10 V	3-Wire
Differential pressure measuring range		
0 ... 2.5 bar		
0 ... 6 bar		
0 ... 10 bar		
0 ... 16 bar		
0 ... 25 bar		
0 ... 40 bar		
0 ... 60 bar		
Other measuring ranges available on request.		

### 6.3 Output sizes

Switch output (potential-free)	Relay	MOSFET
Progr. switching function	Open contact (NO) Break contact (NC)	One-pin activator (NO) One-pin deactivator (NC)
Max. switching voltage	32 V AC/DC	3 ... 32 V AC/DC
Max. switching current	2 A	0.25 A
Max. switching output	64 W(VA)	8 W(VA) $R_{ON} \leq 4 \Omega$

Optionally, the device can also be supplied with two analogue outputs.

Analogue output	0/4 ... 20 mA	0 ... 10 V
Type of connection	3-Wire	3-Wire
Apparent ohmic resistance	$U_b \leq 26 \text{ V}: R_L \leq (U_b - 4 \text{ V}) / 0.02 \text{ A}$	$R_L > 2 \text{ k}\Omega$
	$U_b > 26 \text{ V}: R_L \leq 1100 \Omega$	
Signal range	0.0 ... 21.0 mA	0.0 ... 11.0 V
Turn down	10:1	10:1

## 6.4 Measurement accuracy

		Maximal	Typical
Measurement deviation <sup>*)</sup>		0.1 % FS	<0.05 %
Temperature drift <sup>x)</sup>	Span	0.1 %FS/10K	<0.025 %FS/10K
	Zero point	0.1 %FS/10K	<0.025 %FS/10K

<sup>\*)</sup> Characteristic curve deviation (non-linearity and hysteresis) at 25°C and rated voltage basic measuring range with linear characteristic curve, not spread

<sup>x)</sup> In relation to the basic measuring range with a linear, not spread, characteristic curve.

## 6.5 Auxiliary energy

Rated Voltage	24V AC/DC
Admissible operating voltage	12 ... 32 V AC/DC
Absorbed power	Max. 2 W (VA)

## 6.6 Operating conditions

Ambient temperature range	-10 ... +70 °C
Storage temperature range	-20 ... +70 °C
Medium temperature range	see Pressure sensor data sheet
Protection class IP	IP65 acc. to DIN EN 60529
EMC	EN 61326-1 EN 61326-2
RoHS	EN 50581

## 6.7 Display and operating interface

### Annunciation, display, indication

4...6-digit LCD, full graphic, colour backlighting

### Programming

Damping	0.0...100.0s (jump response 10/90%)
Switch output	Switch-off point, switch-on point, response time (0...1800s), function (NC / NO contact), channel assignment
Measuring range unit	bar, mbar, Pa, kPa, MPa, psi, InWc, mmWs, mmHg, 'free unit', starting value, end value and decimal point for 'free unit'
Output signal	User-definable within the basic measuring range <sup>(1)</sup>
Zero-point window	0... $\frac{1}{3}$ of the basic measuring range <sup>(2)</sup>
Offset correction	$\pm\frac{1}{3}$ of the basic measuring range <sup>(3)</sup>
Implementation of characteristic curve	linear, square rooted, table with 3...30 support points
Password	001 ... 999 (000 = no password protection)
Language (can be switched)	DE, EN, FR, ES, IT, PT, and HU

(1) Max. effective spread 10:1

(2) measured values around zero are set to zero.

(3) To compensate different installation positions.

## 6.8 Construction design

Process connection	2 x 5-pin round plugs M12 (female) for external pressure transmitters or 2 x 4-pin standard plug DIN EN 175 301-803-A (female) with 1 m cable
Electrical connection	2 x round plug connector M12 (male) 5-pin for supply and output signal 4-pin for switch contacts
Installation position	User-defined
Dimensions (LWH)	90 x 61.5 x 75 mm
Weight (without cables and pressure sensors)	300 g

### 6.8.1 Materials

#### Materials of the parts that come into contact with the medium

see Pressure sensor data sheet

#### Materials of the parts that come into contact with the surroundings

Housing	Polyamide PA 6.6
Foil keypad	Polyester
Process connection	Nickel-plated brass
Electrical connection	Polyamid

### 6.8.2 Dimensional drawings

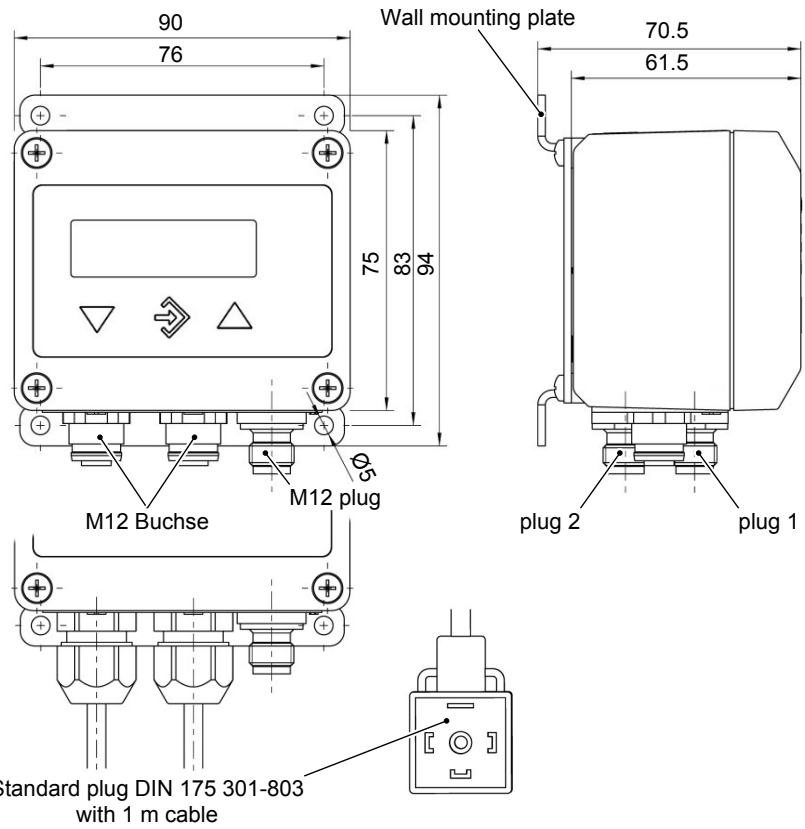


Fig. 19: Dimensional picture

### 6.8.3 Wall mounting

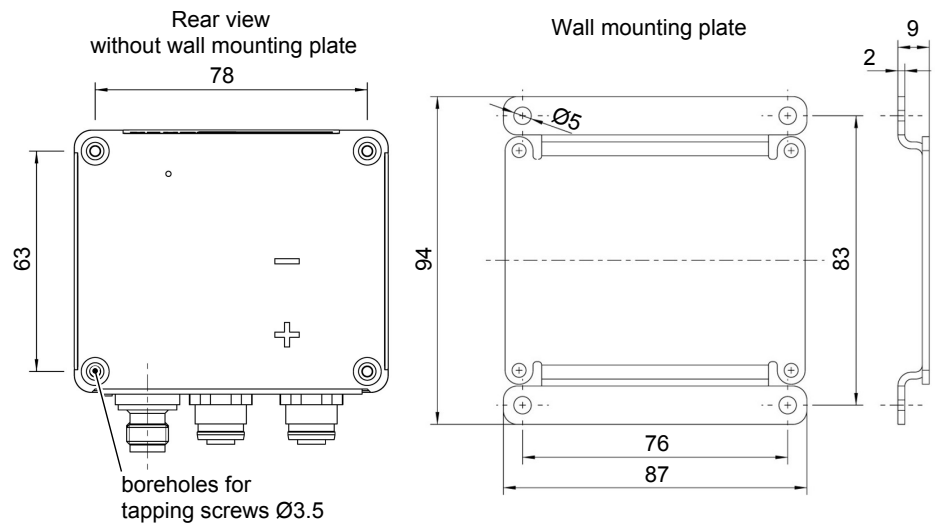


Fig. 20: Wall mounting

### 6.8.4 Assembly of the mounting rails

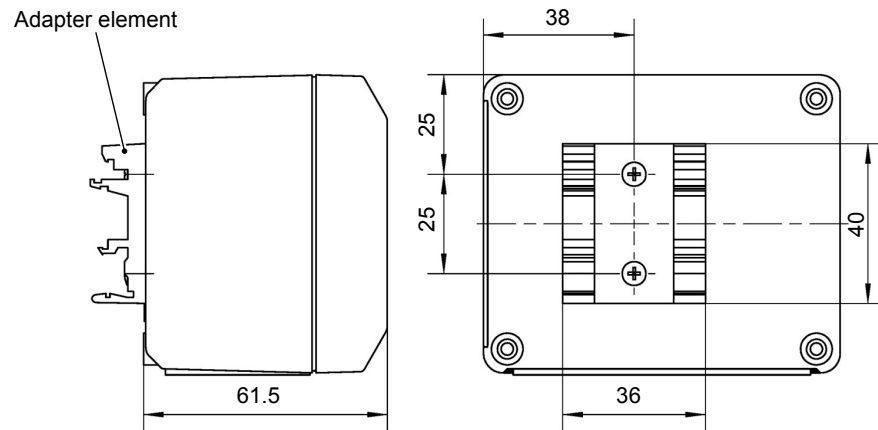


Fig. 21: Adapter element

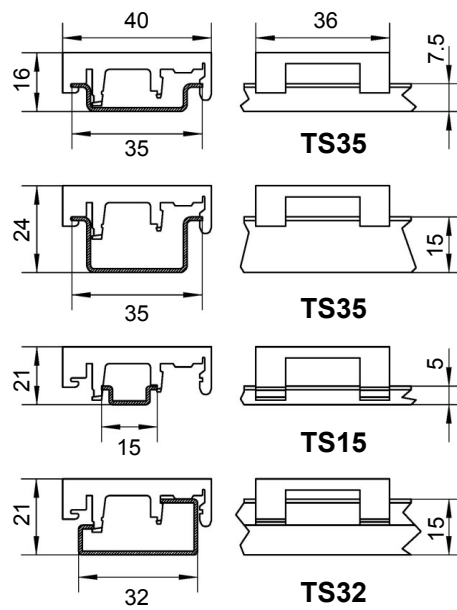


Fig. 22: Mounting rails options



### 6.8.5 Installation of front panel

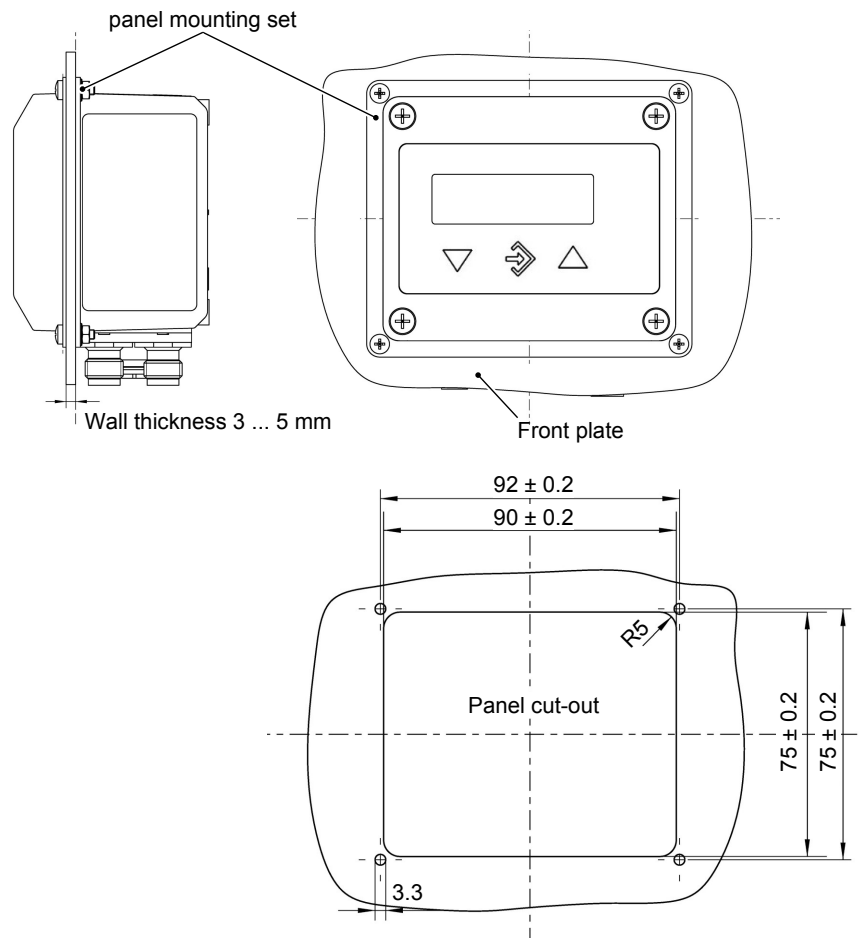
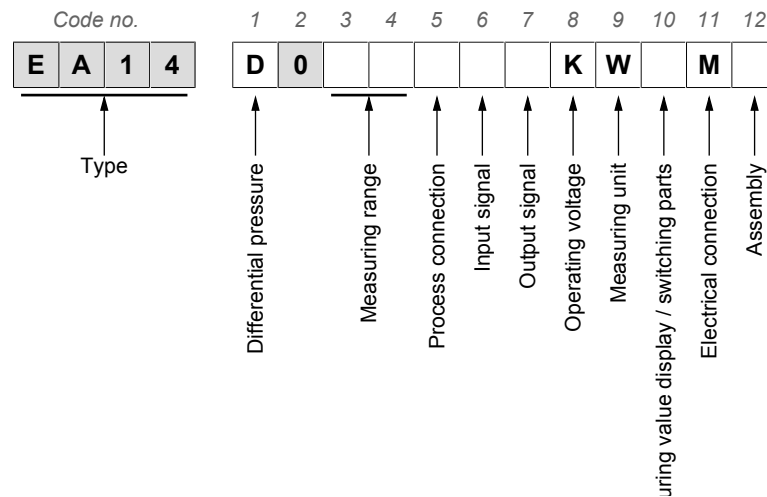


Fig. 23: Installation of front panel

## 7 Order codes



### [3.4] Measuring range (differential pressure)

<b>04</b>	0 ... 2.5 bar
<b>06</b>	0 ... 6 bar
<b>07</b>	0 ... 10 bar
<b>08</b>	0 ... 16 bar
<b>09</b>	0 ... 25 bar
<b>10</b>	0 ... 40 bar
<b>11</b>	0 ... 60 bar
<b>99</b>	Other measuring ranges available on request

### [5] Process connection (pressure transmitter)

<b>M</b>	2 x M12 plug connection
<b>H</b>	2 x plug connector DIN EN 175301-803 A with 1m cable

### [6] Input signal (pressure transmitter) Type of connection

<b>A</b>	0 ... 20 mA	3-Wire
<b>B</b>	4 ... 20 mA	2-Wire
<b>C</b>	0 ... 10 V	3-Wire

### [7] Output signal Type of connection

<b>0</b>	Without analogue output signal	
<b>4</b>	0 ... 20 mA	3-Wire
<b>5</b>	0 ... 10 V	3-Wire
<b>6</b>	4 ... 20 mA	3-Wire

### [8] Operating voltage

<b>K</b>	24 V AC/DC
----------	------------

### [9] Measuring unit

<b>W</b>	Selectable pressure units
----------	---------------------------

### [10] Measured value display / contact elements:

<b>C</b>	4-digit colour change LCD / 2 relay contacts
<b>D</b>	4-digit colour change LCD / 2 semiconductor contacts

### [11] Electrical connection

<b>M</b>	2 x M12 plug connection
----------	-------------------------

<b>[12] Assembly</b>	
<b>0</b>	Attachment boreholes on rear side (standard)
<b>W</b>	Wall mounting
<b>T</b>	Panel mounting set
<b>S</b>	Assembly of the mounting rails

### 7.1 Accessories

<b>Order no.</b>	<b>length</b>
<b>4-pin M12 Connection cable for switching outputs</b>	
06401993	2m
06401994	5m
06401563	7m
06401572	10m
<b>5-pin M12 connection cable for auxiliary energy and analogue outputs</b>	
06401995	2m
06401996	5m
06401564	7m
06401573	10m

### Remote configuration

<b>Order no.</b>		
EU05 0000	Transmitter PC interface incl. PC software	without battery
EU05 0001		With battery
EU03 F300		

A data sheet is available on our website [www.fischermesstechnik.de](http://www.fischermesstechnik.de) or on request.

## 8 EU Declaration of Conformity



(Translation)

### EU Declaration of Conformity

For the product described as follows

**Product designation**                      **Differential pressure evaluation unit**  
**Type designation**                         **EA14 D0 ## # # # KW # M #**

it is hereby declared that it corresponds with the basic requirements specified in the following designated directives:

2014/30/EU                                      EMC Directive  
 2011/65/EU                                      RoHS Directive

The products were tested in compliance with the following standards.

#### **Electromagnetic compatibility (EMC)**

**DIN EN 61326-1:2013-07**  
 EN 61326-1:2013

*Electrical equipment for measurement, control and laboratory use - EMC requirements - Part 1: General requirements*

**DIN EN 61326-2-3:2013-07**  
 EN 61326-2-3:2013

*Electrical equipment for measurement, control and laboratory use - EMC requirements - Part 2-3: Particular requirements - Test configuration, operational conditions and performance criteria for transducers with integrated or remote signal conditioning*

#### **RoHS Directive (RoHS 2)**

**DIN EN 50581:2013-02**  
 EN 50581:2012

*Technical documentation for the assessment of electrical and electronic products with respect to the restriction of hazardous substances*

Also they were subjected to the conformity assessment procedure „**Internal production control**“.

The object of the declaration described above is in conformity with Directive 2011/65/EU of the European Parliament and of the Council of 8 June 2011 on the restriction of the use of certain hazardous substances in electrical and electronic equipment.

Sole responsibility for the issue of this declaration of conformity in relation to fulfilment of the fundamental requirements and the production of the technical documents is with the manufacturer.

**Manufacturer**                                      **FISCHER Mess- und Regeltechnik GmbH**  
 Bielefelder Str. 37a  
 32107 Bad Salzuflen, Germany  
 Tel. +49 (0)5222 974 0

**Documentation representative**              Mr. Torsten Malischewski  
 B.Sc.  
 Development department

**The devices bear the following marking:**



**Bad Salzuflen**  
**09 July 2018**

G. Gödde  
 Managing director

\*09010333\* • CE\_EN\_EA14D • Rev. ST4-A • 07/18

1 / 1



Fig. 24: CE\_DE\_EA14D