

Data sheet

ME69

Pressure Transmitter

Application

Pressure transmitter with a ceramic measuring cell, housing and process connection in plastic. The pressure transmitters of this series are suitable for various measuring tasks in the following areas:

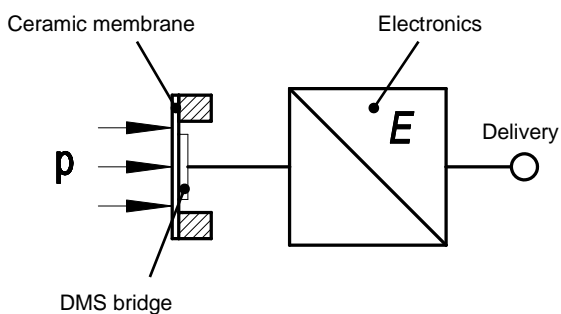
- Electroplating
- Water treatment systems
- Drinking, service, process and waste water

The pressure transmitter ME69 is used to measure over-pressure in acidic or alkali media that are compatible with the materials listed under the technical data. If in doubt, the compatibility of the media needs to be checked for the application.

Design and mode of operation

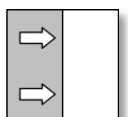
The measuring pressure acts on a ceramic membrane that deforms when under pressure. This alters the output signal of the DMS bridge on the rear of the ceramic membrane. The electronics integrated into the device convert the bridge signals into electrical unit signals 4...20 mA or 0...10 V DC.

Function Diagram



Important features

- sturdy model
- highly precise
- resistant to aggressive media



Technical data

Measuring range in bar	0-1.6	0-2.5	0-4	0-6	0-10
Overpressure-proof in bar	3.2	5	8	12	20

General points

Linearity	< 1 % of the measuring range
Hysteresis	< 0.5 % of the measuring range
Admissible ambient temperature	0° to 60°C
Permissible medium temperature	0° to 60°C
Pressure connection	Flange union nut G1" plastic
Electrical connection	Standardised plug DIN EN 175 301-803-A
Type of protection	IP 65 as per DIN EN 60 529

Material

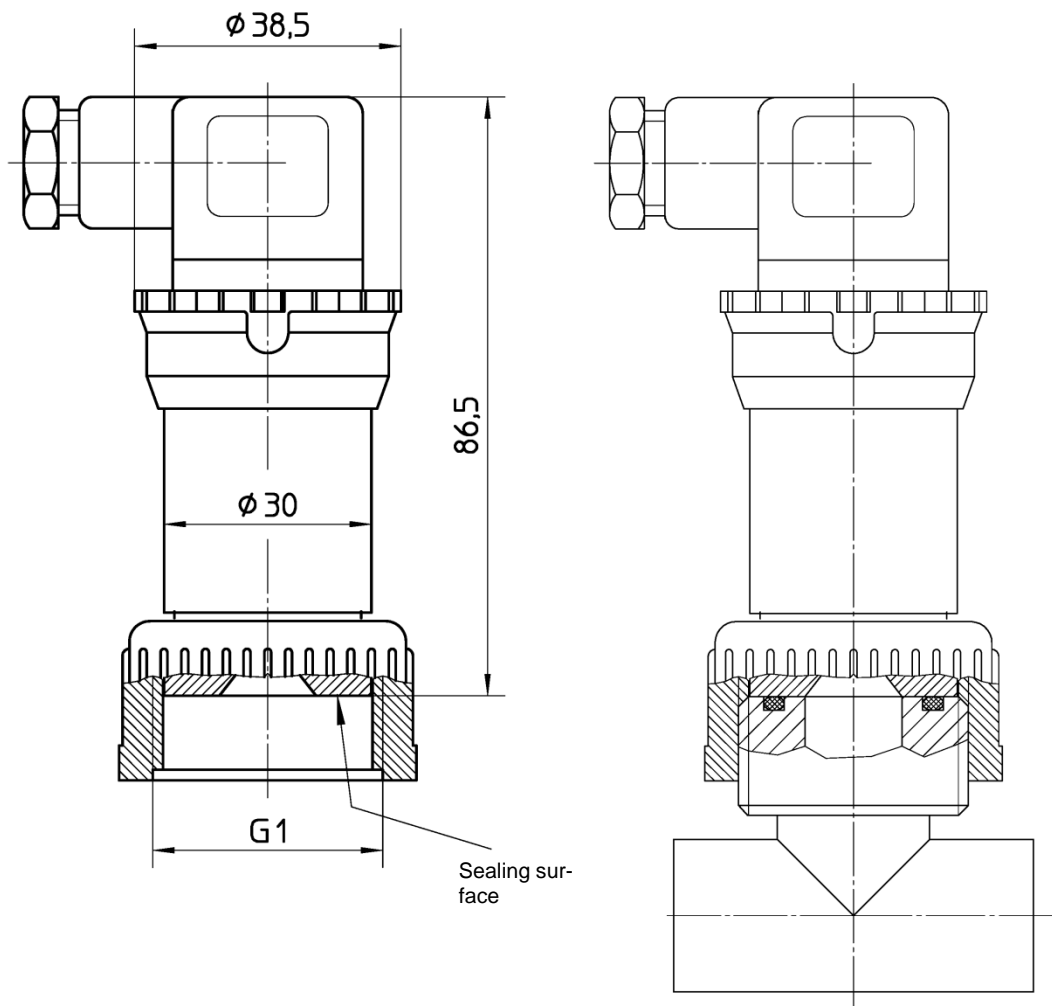
Materials in contact with media	PP plastic Ceramic 96% Al ₂ O ₃ Parylene-coated Seal: Viton [®] B
Housing	PP plastic

Electrical data

Rated Voltage	24 V DC	
Operating voltage	6..30 V DC	12..30 V DC
Electrical connection type	Two-wire	Three-wire
Output signal	4 -20 mA	0-10 V DC
Apparent ohmic resistance	(U _B -6 V) / 0.02 A	U _B < 14 V 10kΩ U _B > 14 V 2 kΩ
Current/voltage limit	ca. 26 mA	approx. 12 V DC
Temperature drift, zero-point	0.4 % FS/10 K	
Temperature drift, measuring range	0.05 % FS/10 K	

The transmitter is equipped with short-circuit and reverse polarity protection.

Dimensional drawings (all dimensions in mm unless otherwise specified)



Order Codes

Pressure Transmitter

ME69

		M	A	9		H	9
--	--	---	---	---	--	---	---

Measuring Range

- 0... 1.6 bar> 0 3
- 0... 2.5 bar> 0 4
- 0... 4 bar> 0 5
- 0... 6 bar> 0 6
- 0... 10 bar> 0 7

Measuring accuracy

Characteristic curve deviation relative pressure 1.0> M

Pressure connection

Plastic screw connection DN20 – G 1B.....> A 9

Electrical output signal

- 4 – 20 mA 2-wire> B
- 0 – 10 VDC 3-wire> C

Electrical connection

Plug 4-pin, standardised plug DIN EN 175 301-803-A> H

Operating voltage

24VDC ±10%.....> 9

