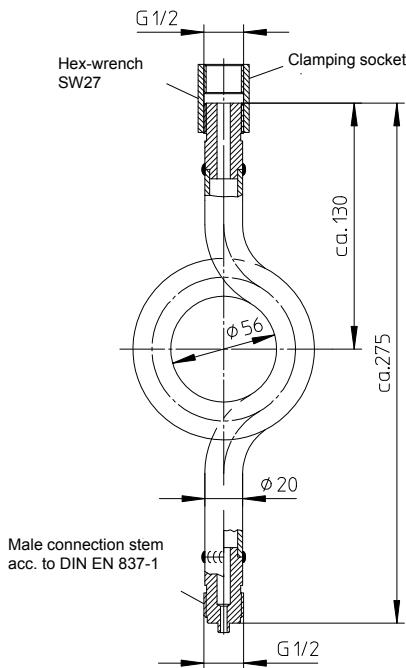
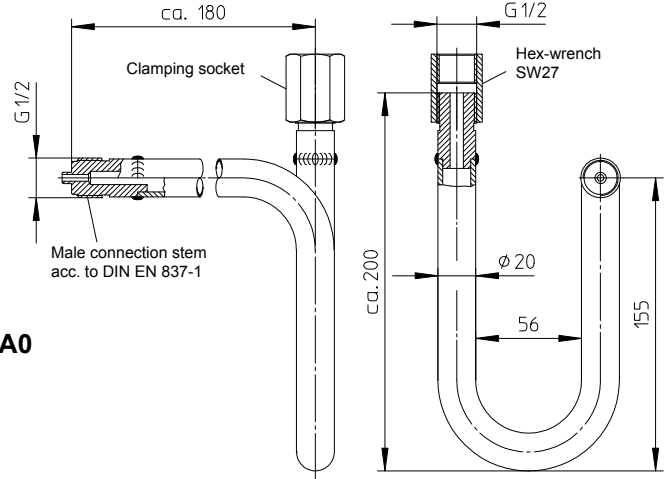


MZ || Accessories for Measuring Instruments

Siphons MZ1A0 and MZ1C0 (all units in mm unless otherwise stated)



MZ1C0



MZ1A0

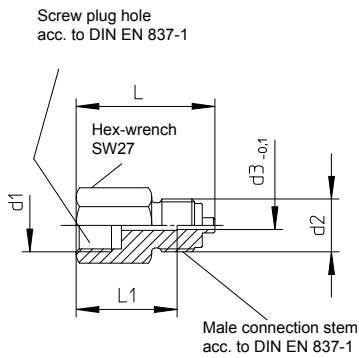
Siphon

MZ **1**

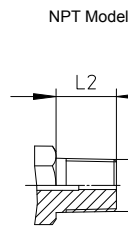
acc. to DIN 16282, PN 100, on either side G 1/2

U-shape male connection G 1/2 (form A)	>	A	0	
Ring shape male connection G 1/2 (form C)	>	C	0	
Material steel	>			S
Material stainless steel	>			V

Pressure Gauge Connectors MZ120-220 (all units in mm unless otherwise stated)



MZ120-220



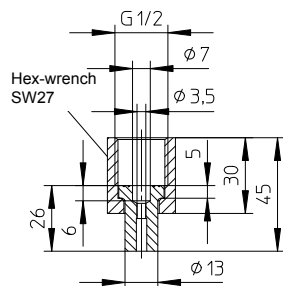
Type	Thread		d3-0.1	L	L1	L2
	d1	d2				
MZ120	G1/2	G1/2	3.3	50	38	-
MZ170	G1/4	G1/2	3.3	40	28	-
MZ180	G1/2	G1/4	3.3	40	28	-
MZ190	G1/2	NPT1/2	-	50	-	24
MZ200	G1/2	M20x1.5	3.3	50	38	-
MZ220	G1/2	NPT1/4	-	43	-	18

Pressure Gauge Connector MZ

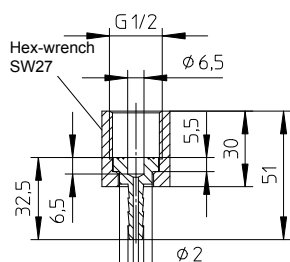
acc. to DIN 16275

G 1/2 sleeve on G 1/2 plug	>	1	2	0	
G 1/4 sleeve on G 1/2 plug	>	1	7	0	
G 1/2 sleeve on G 1/4 plug	>	1	8	0	
G 1/2 sleeve on NPT 1/2 plug	>	1	9	0	
G 1/2 sleeve on M20x1.5 plug	>	2	0	0	
G 1/2 sleeve on NPT 1/4 plug	>	2	2	0	
Material brass, PN 400	>				M
Material stainless steel, PN 640	>				V

Fitting / Union Nut MZ230, MZ240 and MZ250 (all units in mm unless otherwise stated)



MZ230



MZ240

MZ250

Fitting / Union Nut

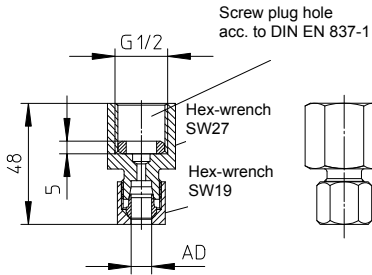
MZ **2**

acc. to DIN 16284

G1/2i with soldering resp. welding union	>	3	0	
G1/2i with hose connection gland for hose 6x1mm	>	4	0	
G1/2i with hose connection gland for hose 8x1mm	>	5	0	
Material brass	>			M
Material stainless steel	>			V

Type	d
MZ240	4.2
MZ250	6.2

Pressure Gauge Screw Connexion MZ27 (all units in mm unless otherwise stated)



Typ	AD
MZ276	6
MZ278	8
MZ270	10
MZ272	12

Pressure Gauge Screw Connexion

MZ

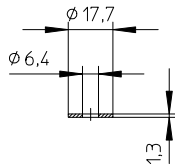
with seal disc acc. to DIN 16258

Pressure gauge screw connexion G1/2 female

for 6 mm tube.....	>	6	↑
for 8 mm tube.....	>	8	↑
for 10 mm tube.....	>	0	
for 12 mm tube.....	>	2	
Material steel, PN 640.....	>		S
Material stainless steel, PN 640.....	>		V

MZ27

Seal Disc MZ290 (all units in mm unless otherwise stated)



Seal Disc

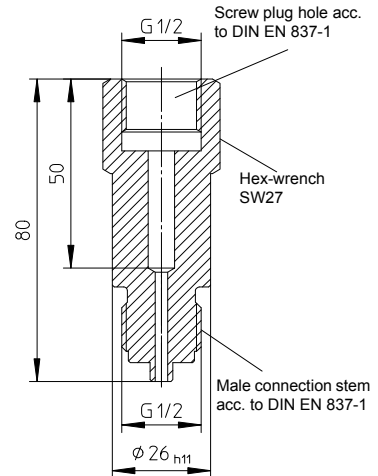
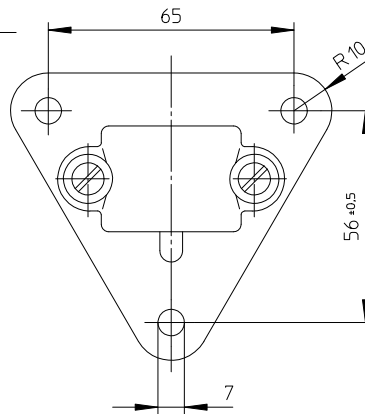
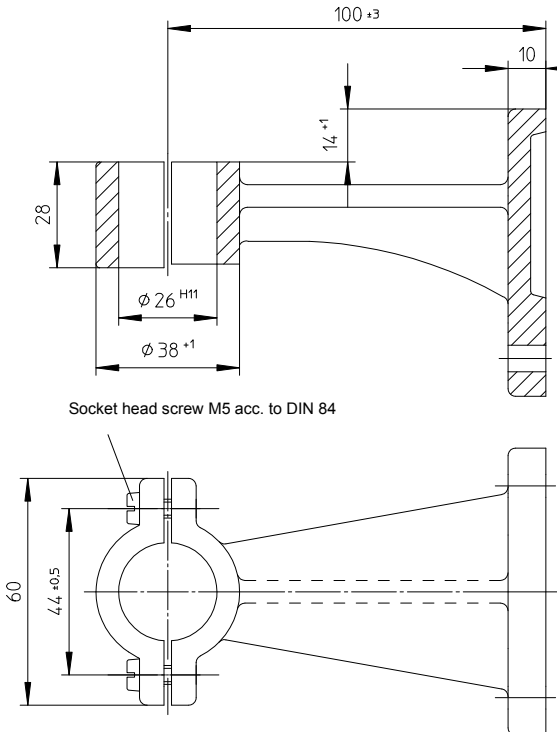
MZ

acc. to DIN 16258

Material copper.....	>		M
Material stainless steel.....	>		V

MZ290

Wall Mount for Pressure Gauges and Thermometers MZ310 (all units in mm unless otherwise stated)



Wall Mount for Pressure Gauges and Thermometers

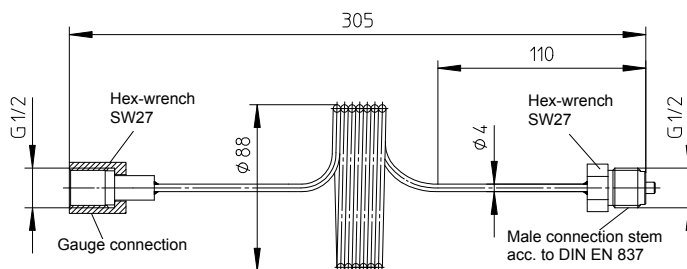
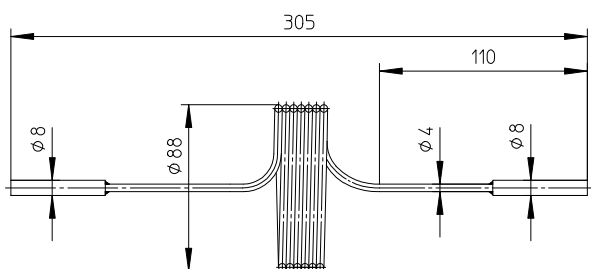
MZ

acc. to DIN 16281 of aluminium, projection 100mm

Adaptor of brass, PN 400.....	>		M
Adaptor of steel, PN 640.....	>		S
Adaptor of stainless steel, PN 640.....	>		V

MZ310

Capillary Reactive Coil MZ40 (all units in mm unless otherwise stated)

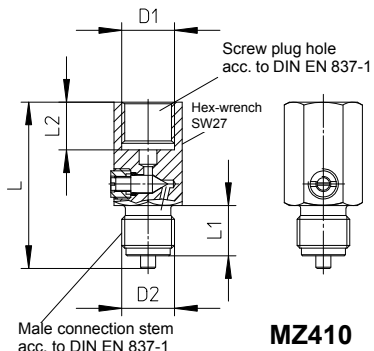


MZ40

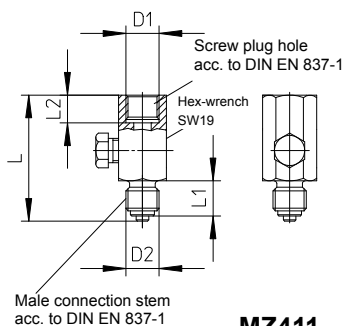
Capillary Reactive Coil MZ 4 0

- 2 mm inner width, G1/2 female sleeve, G1/2 male plug > 0
- 2 mm inner width, straight connection stem ϕ 8 mm > 1
- Material brass / copper, PN 64 > K
- Material stainless steel, PN 100 > V

Control valve MZ41 (all units in mm unless otherwise stated)



MZ410



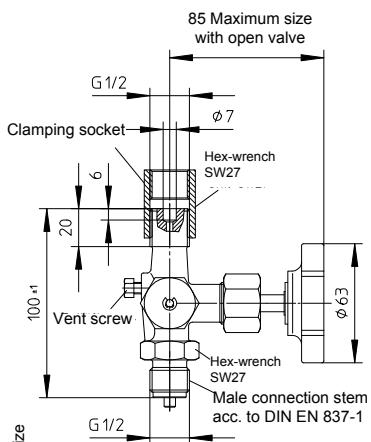
MZ411

Type	D1	D2	L	L1	L2
MZ410	G1/2	G1/2	66	19	20
MZ411	G1/4	G1/4	50	14	11

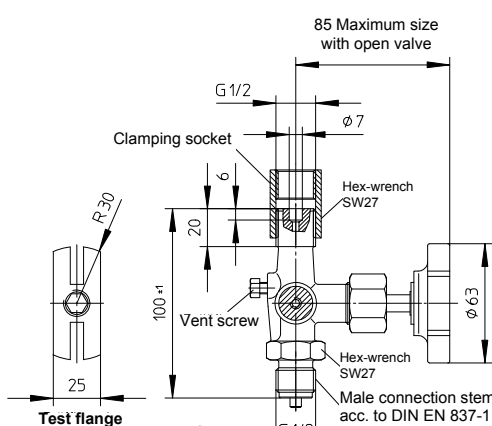
Control Valve MZ 4 1

- G1/2 male thread > 0
- G1/4 male thread > 1
- Material brass, PN 250 > M
- Material stainless steel, PN 250 > V

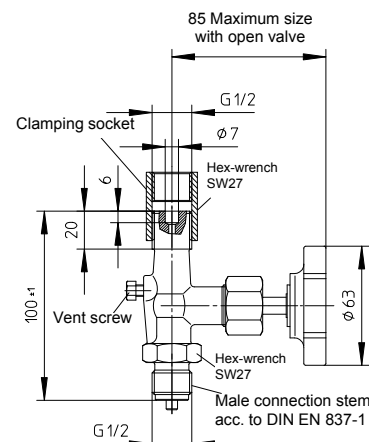
Gauge Shut-off Valves MZ500-520 (all units in mm unless otherwise stated)



MZ510



MZ520

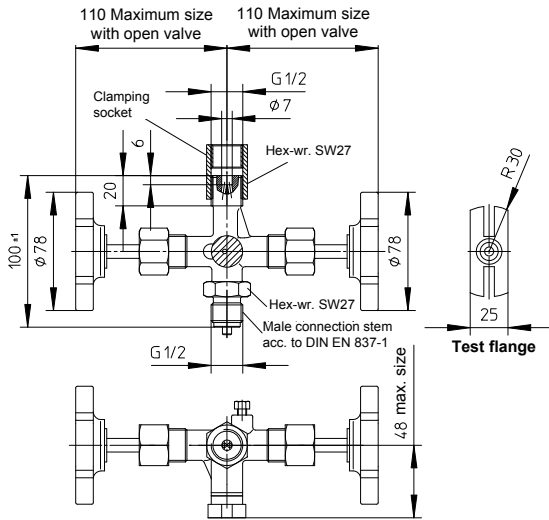


MZ500

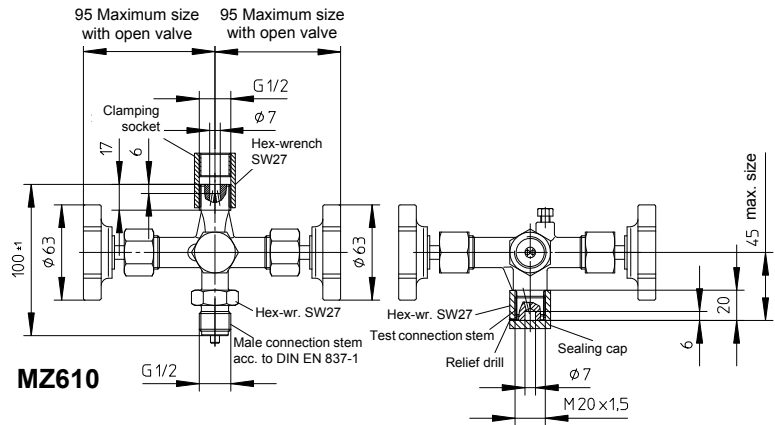
Gauge Shut-off Valve MZ 5

- acc. to DIN 16270/16271 stem/sleeve G1/2
- acc. to DIN 16270 > 0 0
 - acc. to DIN 16271 with test conn. stem M20x1.5mm > 1 0
 - acc. to DIN 16271 with test flange > 2 0
 - Material brass, PN 250 > M
 - Material steel, PN 400 > S
 - Material stainless steel, PN 400 > V

Gauge Double Valves MZ600 and MZ610 (all units in mm unless otherwise stated)



MZ600



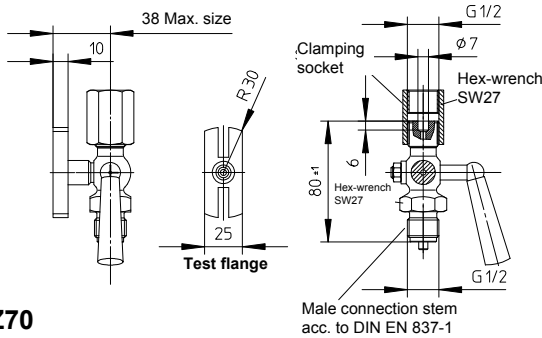
MZ610

Gauge Double Valve MZ **6**

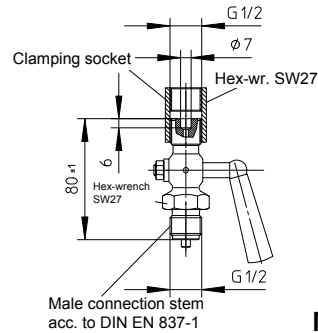
acc. to DIN 16272 stem/sleeve G1/2

acc. to DIN 16272 with narrow test flange.....>	0	0		
acc. to DIN 16272 with test connection stem M20x1.5mm..>	1	0		
Material brass, PN 250.....>				M
Material steel, PN 400.....>				S
Material stainless steel, PN 400.....>				V

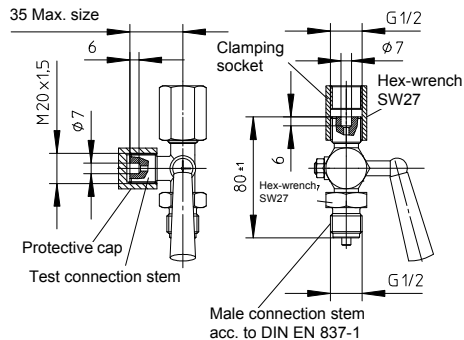
Gauge Plug Valves MZ62, MZ70 and MZ72 (all units in mm unless otherwise stated)



MZ70



MZ62



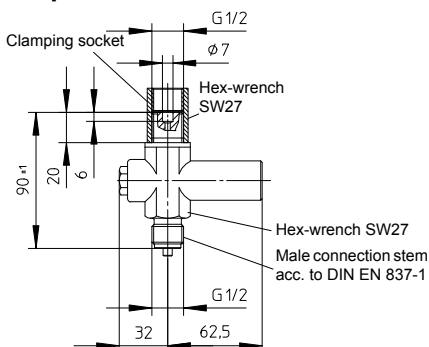
MZ72

Gauge Plug Valve MZ

acc. to DIN 16262/16263 stem/sleeve G1/2

acc. to DIN 16262.....>	6	2		
acc. to DIN 16262 with test flange.....>	7	0		
acc. to DIN 16262 with test conn. stem M20x1.5.....>	7	2		
Material brass, PN 25.....>				M
Material steel, PN 25.....>				S
Material stainless steel, PN 25.....>				V

Overpressure Protection Device MZ93 (all units in mm unless otherwise stated)



Overpressure Protection Device MZ **9** **3**

Adjustment range 0.4 ... 2.5 bar.....>	0			
Adjustment range 2.0 ... 6.0 bar.....>	1			
Adjustment range 5.0 ... 25.0 bar.....>	2			
Adjustment range 20.0 ... 60.0 bar.....>	3			
Adjustment range 50.0 ... 250.0 bar.....>	4			
Adjustment range 240.0 ... 400.0 bar.....>	5			
Material brass, PN 400.....>				M
Material stainless steel, PN 400.....>				V