

AO000067

ACCESSORIES • MOUNTING



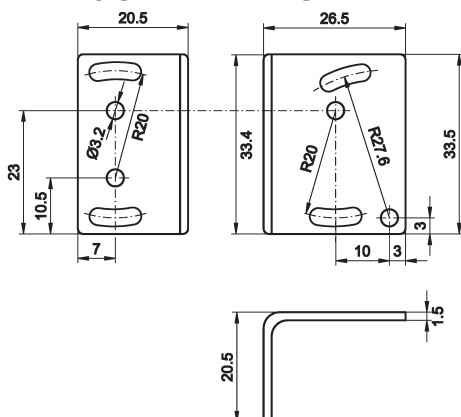
MECHANICAL DATA

Angle	90 °
Diameter/width of the fastening holes for sensor	3.2 mm
Diameter/width of the fastening holes for sensor	3.2 mm
Height	33.5 mm
Length	20.5 mm
Material	Steel
Mounting type	Screw
Number of boreholes	4
Number of oblong holes	4
Surface	Zinc coated
Version	Mounting angle bracket
Weight	20 kg
Width	26.5 mm

OTHER DATA

Scope of delivery	Angle
-------------------	-------

DIMENSIONAL DRAWING



INSTALLATION



Mounting / Installation may only be carried out by a qualified electrician!

DISPOSAL



SAFETY WARNINGS

Before initial operation, please make sure to follow all safety instructions that may be provided in the product information!