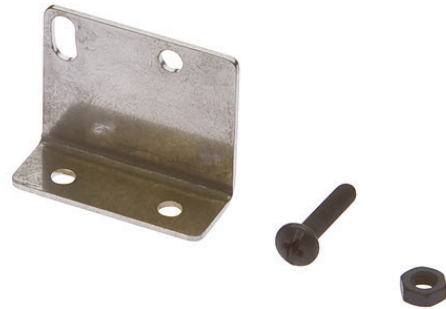


AO000073

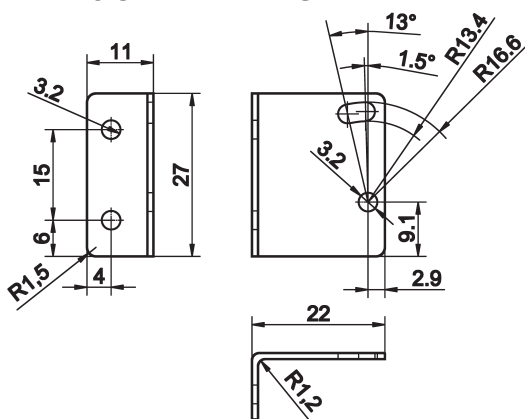
ACCESSORIES • MOUNTING



MECHANICAL DATA

Depth	11 mm
Height	22 mm
Length	11 mm
Material	Steel
Mounting type	Screw
Number of boreholes	3
Number of oblong holes	1
Version	Mounting angle bracket
Width	27 mm

DIMENSIONAL DRAWING



INSTALLATION



Mounting / Installation may only be carried out by a qualified electrician!

DISPOSAL



SAFETY WARNINGS

Before initial operation, please make sure to follow all safety instructions that may be provided in the product information!