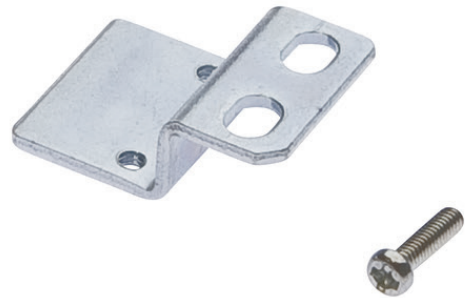
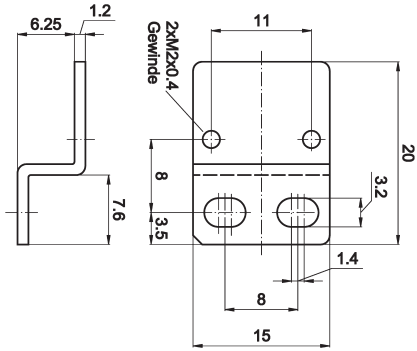


AO000079**ACCESSORIES • MOUNTING****MECHANICAL DATA**

Diameter/width of the fastening holes for sensor	2 mm
Diameter/width of the fastening holes for sensor	3.2 mm
Height	7.37 mm
Length	20 mm
Material	Steel
Mounting type	Screw
Number of boreholes	2
Number of oblong holes	2
Surface	Zinc coated
Thread pitch	0.4 mm
Thread size, metric	2
Version	Mounting angle bracket
Weight	30 kg
Width	15 mm
OTHER DATA	
Scope of delivery	Mounting material for sensor, brackets

DIMENSIONAL DRAWING



INSTALLATION



Mounting / Installation may only be carried out by a qualified electrician!

DISPOSAL



SAFETY WARNINGS

Before initial operation, please make sure to follow all safety instructions that may be provided in the product information!