

AO000082

ACCESSORIES • MOUNTING



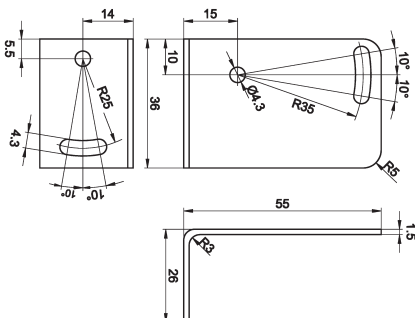
MECHANICAL DATA

Diameter/width of the fastening holes for sensor	4.3 mm
Diameter/width of the fastening holes for sensor	4.3 mm
Height	55 mm
Length	26 mm
Material	Steel
Mounting type	Screw
Number of boreholes	2
Number of oblong holes	2
Surface	Zinc coated
Version	Mounting angle bracket
Weight	30 kg
Width	36 mm

OTHER DATA

Scope of delivery	Angle
-------------------	-------

DIMENSIONAL DRAWING



INSTALLATION



Mounting / Installation may only be carried out by a qualified electrician!

DISPOSAL



SAFETY WARNINGS

Before initial operation, please make sure to follow all safety instructions that may be provided in the product information!