

AO000463

LED-LIGHTS • ADDITIONAL LIGHTS FOR CAMERA SYSTEMS

For any kind of inspection tasks with a camera sensor the lighting is essential, as only high-contrast images enable reproducible evaluations. Here the lighting has a decisive influence. The choice depends on different factors such as the distance to the test object, its size, the component criteria to be tested or the expected environmental conditions.



MECHANICAL DATA

| | |
|---------------------------|----------------|
| Ambient temperature (MAX) | 50 °C |
| Degree of protection (IP) | IP67 |
| Front screen material | Acrylic glass |
| Height | 34 mm |
| Housing design | Cuboid |
| Housing material | Aluminium |
| Length | 86 mm |
| Light head material | Plastic |
| Type of lamp stand | Screw-on plate |
| Wet area | Yes |
| Width | 34 mm |

ELECTRICAL DATA

| | |
|-------------------------------|---------------|
| Max. current consumption | 55 mA |
| Nominal supply voltage | 24 V ... 24 V |
| Number of pins | 4 |
| Protection class | III |
| Type of electrical connection | Connector M8 |
| Voltage type | DC |

OPTICAL DATA

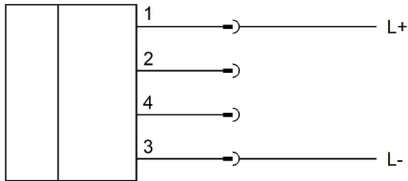
| | |
|----------------------------|-------------|
| Actual camera illumination | Yes |
| Color temperature | 6500 K |
| Lamp | LED |
| Light source | White light |
| Light version | Spotlight |
| Number of LEDs | 16 |
| Radiation angle | 120 ° |
| With lamp | Yes |

OTHER DATA

Harsh environmental conditions

Yes

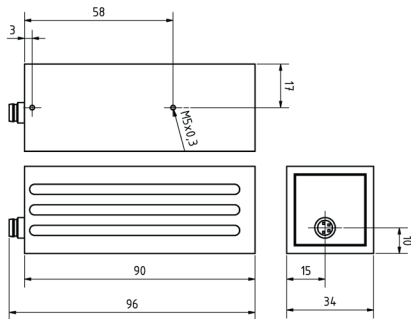
CONNECTION



Colors: 1 = BN (brown), 2 = WH (white), 3 = BU (blue), 4 = BK (black)

Functions: 1 = L+, 2 = n. c., 3 = L-, 4 = n. c.

DIMENSIONAL DRAWING



INSTALLATION



Mounting / Installation may only be carried out by a qualified electrician!

DISPOSAL



SAFETY WARNINGS

Before initial operation, please make sure to follow all safety instructions that may be provided in the product information!