

AO98E057

LED-LIGHTS • BUILDING LIGHTS

LED lights are required in nearly every industrial sector. A lighting coordinated on the respective workplace ensures a better visibility, increases the production quality, the working safety and helps additionally to save energy costs. Their long lifetime, which is independent of switching cycles, reduces maintenance costs and increases the availability. LED lights are used for the illumination of workplaces, work areas of machines, control cabinets and several other fields of application.



MECHANICAL DATA

Ambient temperature	-25 °C ... 50 °C
Degree of protection (IP)	IP65
Height	336 mm
Housing design	Cuboid
Housing material	Aluminium
Length	267 mm
Width	142 mm

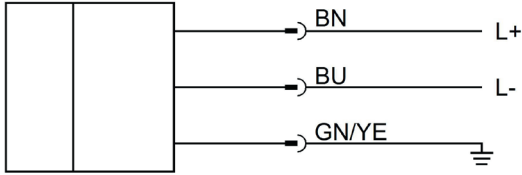
ELECTRICAL DATA

Lamp power	37 W
Luminous flux	4250 lm
Nominal supply voltage	230 V ... 230 V
Number of pins	3
Reverse polarity protection	Yes
Type of electrical connection	Clamp
Voltage type	AC

OPTICAL DATA

Color temperature	4000 K
Illumination in the center (distance 1 m)	1592 lx
Light source	Neutral white
Light version	Floodlight
Radiation angle	98 °

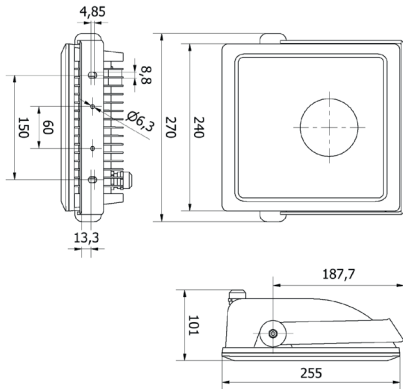
CONNECTION



Colors: BN (brown), BU (blue), GN/YE (green/yellow)

Functions: BN = L+, BU = L-, GN/YE = PE

DIMENSIONAL DRAWING



INSTALLATION



Mounting / Installation may only be carried out by a qualified electrician!

DISPOSAL



SAFETY WARNINGS

Before initial operation, please make sure to follow all safety instructions that may be provided in the product information!