

AV000084

ACCESSORIES • MOUNTING



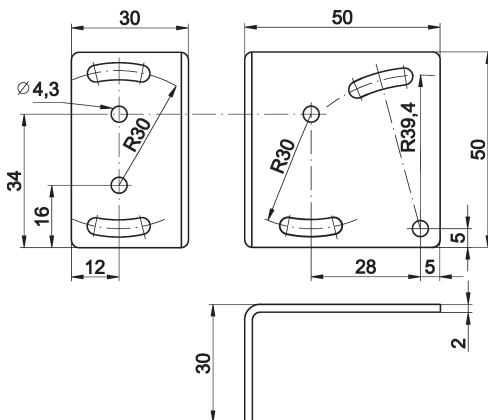
MECHANICAL DATA

Diameter/width of the fastening holes for sensor	4.3 mm
Height	50 mm
Length	30 mm
Material	Steel
Mounting type	Screw
Number of boreholes	4
Number of oblong holes	4
Surface	Zinc coated
Version	Mounting angle bracket
Weight	54 kg
Width	84 mm

OTHER DATA

Scope of delivery	Angle
-------------------	-------

DIMENSIONAL DRAWING



INSTALLATION

DISPOSAL



Mounting / Installation may only be carried out by a qualified electrician!



SAFETY WARNINGS

Before initial operation, please make sure to follow all safety instructions that may be provided in the product information!