

## AY000010

### ACCESSORIES • MOUNTING



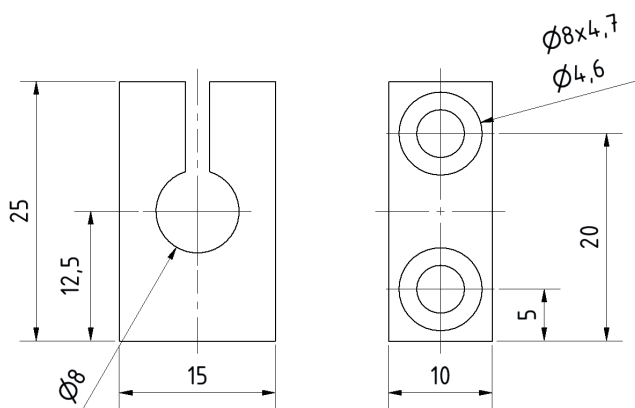
#### MECHANICAL DATA

For sensor	8mm
Material	Aluminium
Mounting type	Screw mounting
Nominal diameter	8 mm
Surface	Anodised
To fix to	Wall mounting

#### OTHER DATA

Suitable for fire protection areas	No
------------------------------------	----

#### DIMENSIONAL DRAWING



#### INSTALLATION



Mounting / Installation may only be carried out by a qualified electrician!

#### DISPOSAL



## **SAFETY WARNINGS**

Before initial operation, please make sure to follow all safety instructions that may be provided in the product information!