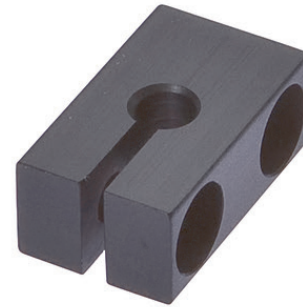


AY000018

ACCESSORIES • MOUNTING



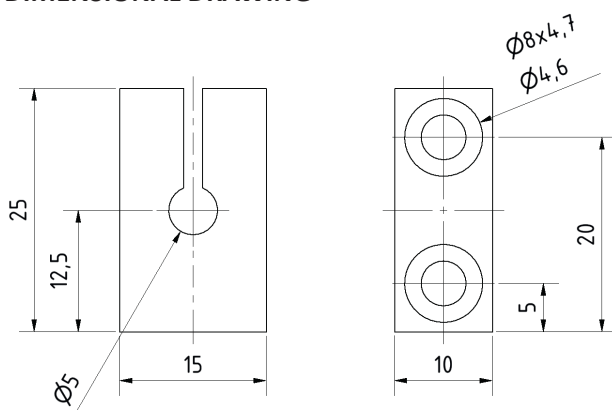
MECHANICAL DATA

| | |
|------------------|----------------|
| For sensor | 5mm |
| Material | Aluminium |
| Mounting type | Screw mounting |
| Nominal diameter | 5 mm |
| Surface | Anodised |
| To fix to | Wall mounting |

OTHER DATA

| | |
|------------------------------------|----|
| Suitable for fire protection areas | No |
|------------------------------------|----|

DIMENSIONAL DRAWING



INSTALLATION



Mounting / Installation may only be carried out by a qualified electrician!

DISPOSAL



SAFETY WARNINGS

Before initial operation, please make sure to follow all safety instructions that may be provided in the product information!