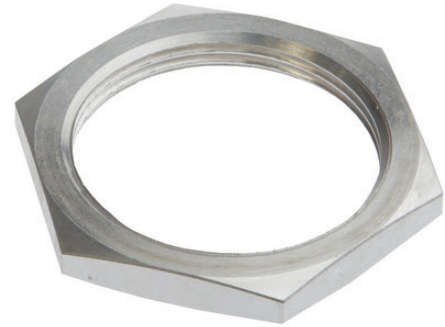


AY000149

ACCESSORIES • MOUNTING



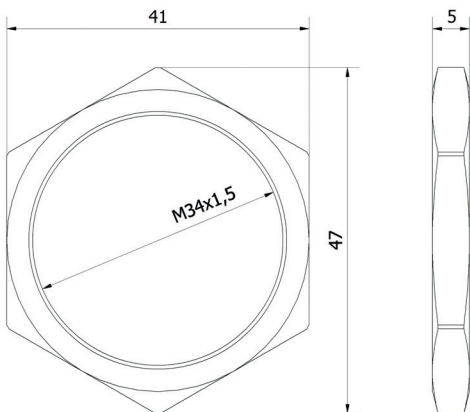
MECHANICAL DATA

Height	5 mm
Material	Aluminium
Thread pitch	1.5 mm
Thread size, metric	34
Wrench size	41 mm

OTHER DATA

Halogen-free	No
--------------	----

DIMENSIONAL DRAWING



INSTALLATION



Mounting / Installation may only be carried out by a qualified electrician!

DISPOSAL



SAFETY WARNINGS

Before initial operation, please make sure to follow all safety instructions that may be provided in the product information!