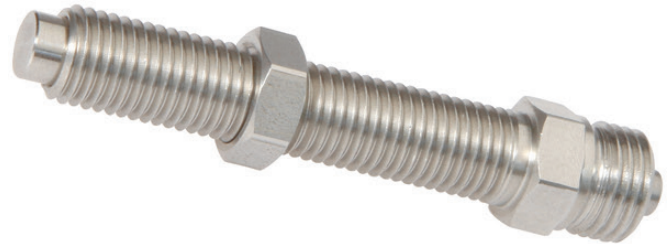


AY98C920

ACCESSORIES • STOP TAPPETS



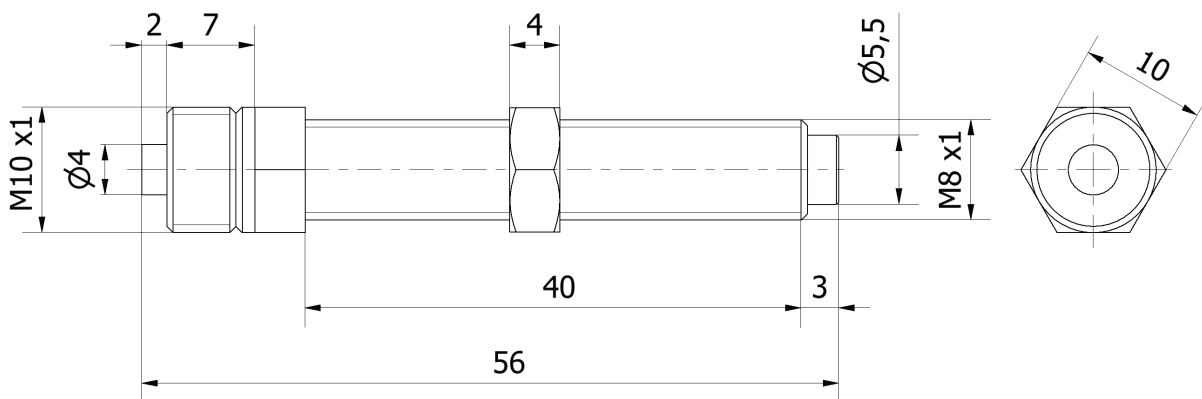
MECHANICAL DATA

Housing material	Stainless steel
Length	56 mm
Return spring force approx. 1N	Yes
Thread pitch	1 mm
Thread size, metric	8
Type of mechanical accessories	Limit stop

OTHER DATA

Current plunger	Yes
-----------------	-----

DIMENSIONAL DRAWING



INSTALLATION



Mounting / Installation may only be carried out by a qualified electrician!

DISPOSAL



SAFETY WARNINGS

Before initial operation, please make sure to follow all safety instructions that may be provided in the product information!