

C1090100

COUNTERS • PULSE COUNTERS

In industrial applications, counting, adding / subtracting of pulses, measuring paths or detecting times are common task areas. However, the use of a PLC is not worthwhile evaluating one or two sensors only. In this case, the multi-function encounters of ipf electronic are a good alternative. Various evaluation variants, amongst others frequency meters, sum counters, time relays, tachometers or wear / maintenance counters enable the use in a variety of applications. The batch counter or total sums function also make more complex tasks possible. The integrated front keypad can conveniently be used to program a pre-selection value or the signal evaluation mode for the operation of a linear measurement system or a rotary encoder.



MECHANICAL DATA

Ambient temperature	-10 °C ... 60 °C
Degree of protection (IP)	IP65
Height	24 mm
Housing material	Plastic
Installation depth	53.5 mm
Length	48 mm
Mounting method	Front mounting
Storage temperature	70 °C
Suitable for serial installation	No
Width	48 mm

ELECTRICAL DATA

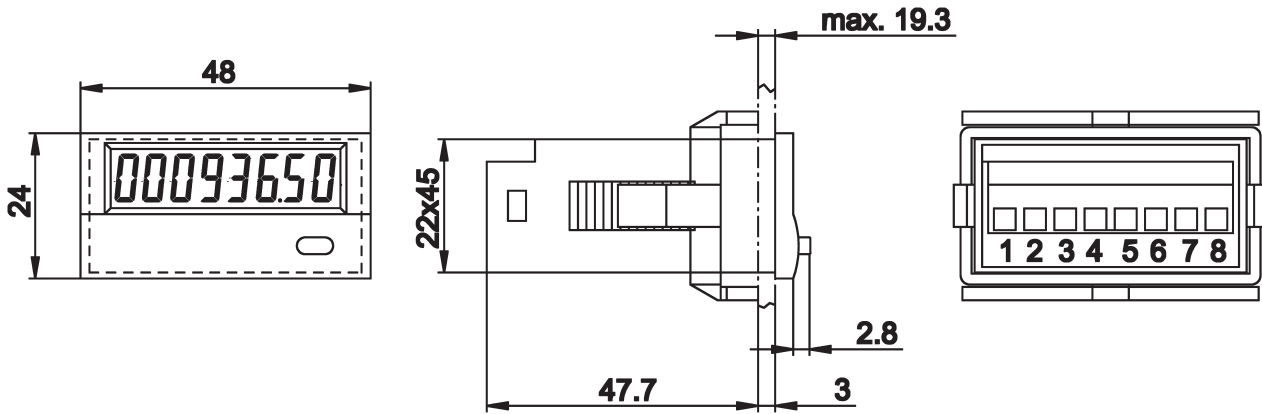
Adding	Yes
Counting frequency	12 kHz
Display	LCD
Display range	9999999
Display range	-9999999
Input voltage	19.2 V ... 28.8 V
Max. npn input frequency	30 Hz
Max. pnp input frequency	12000 Hz
Number of pins	8
Operating voltage	4 V ... 30 V
Primary voltage	24 V
Pulse counter	Yes
Rated control supply voltage U_s at DC	4 V ... 30 V
Subtracting	Yes
Type of electrical connection	Screw connection
Type of signal input A	PNP/NPN
Type of signal input B	PNP/NPN
With reset function	Yes

OPTICAL DATA

Background lighting of LC display

Yes

DIMENSIONAL DRAWING



INSTALLATION



Mounting / Installation may only be carried out by a qualified electrician!

DISPOSAL



SAFETY WARNINGS

Before initial operation, please make sure to follow all safety instructions that may be provided in the product information!