

C198A901

COUNTERS • PULSE COUNTERS

In industrial applications, counting, adding / subtracting of pulses, measuring paths or detecting times are common task areas. However, the use of a PLC is not worthwhile evaluating one or two sensors only. In this case, the multi-function encounters of ipf electronic are a good alternative. Various evaluation variants, amongst others frequency meters, sum counters, time relays, tachometers or wear / maintenance counters enable the use in a variety of applications. The batch counter or total sums function also make more complex tasks possible. The integrated front keypad can conveniently be used to program a pre-selection value or the signal evaluation system mode for the operation of a linear measurement system or a rotary encoder.



MECHANICAL DATA

Ambient temperature	-10 °C ... 60 °C
Degree of protection (IP)	IP40
Height	23 mm
Housing material	Aluminium
Installation depth	23 mm
Length	23 mm
Mounting method	Surface mounting
Storage temperature	60 °C
Storage temperature	-10 °C
Version	Surface mounting
Width	45 mm

ELECTRICAL DATA

Adding	Yes
Counting frequency	10 kHz
Display	LCD
Display range	999999
Input voltage	10 V ... 30 V
Input voltage frequency	50 Hz
Measuring mechanism	Digital
No-load current	3 mA
Number of decades	6
Number of pins	3
Number of switching outputs	1
Operating voltage	10 V ... 35 V
Power consumption	0.07 W
Power loss	0.07 W
Primary voltage	24 V
Pulse counter	Yes
Rated control supply voltage U_s at DC	10 V ... 35 V
Transducer power supply voltage	24 V

ELECTRICAL DATA

Type of electrical connection

Connector M8

Voltage type

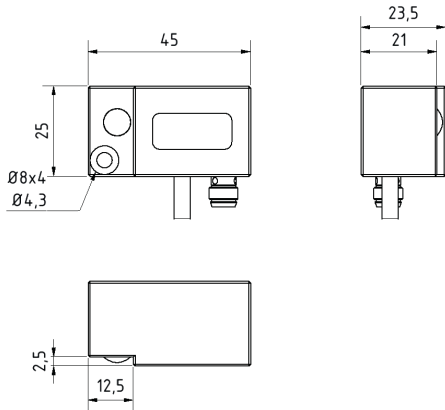
DC

OTHER DATA

Number of characters

6

DIMENSIONAL DRAWING



INSTALLATION



Mounting / Installation may only be carried out by a qualified electrician!

DISPOSAL



SAFETY WARNINGS

Before initial operation, please make sure to follow all safety instructions that may be provided in the product information!