

**DT98C478**

**PRESSURE SENSORS • CONNECTION G1/8" OUTER THREAD**

Pressure sensors are suitable for measuring different media with high accuracy. They are available with switching output and/or analog output. Using PC software, the measured values can be recorded depending on the device type. These sensors can be used in all areas of e.g. pneumatic and hydraulic applications.



**MECHANICAL DATA**

Ambient temperature	-40 °C ... 85 °C
Bursting pressure	1250 bar
CIP compatible	Yes
Degree of protection (IP)	IP65
Explosion-proof	No
For liquid media	Yes
For pasty media	Yes
Front-flush membrane	Yes
Housing design	Cylinder plain
Housing material	Stainless steel 1.4404
Max. operating pressure	400000 hPa
Max. operating pressure	400 bar
Medium temperature	-40 °C ... 125 °C
Nominal pressure	400 bar
Pressure transmitter	Yes
Sensing element material	Stainless steel 1.4435
Sensor diameter	26.5 mm
Sensor length	111 mm
Thread length	20.5 mm
Thread pitch	1.81 mm
Type of pressure connection	G1/2 inch A
With hand operation	No

**ELECTRICAL DATA**

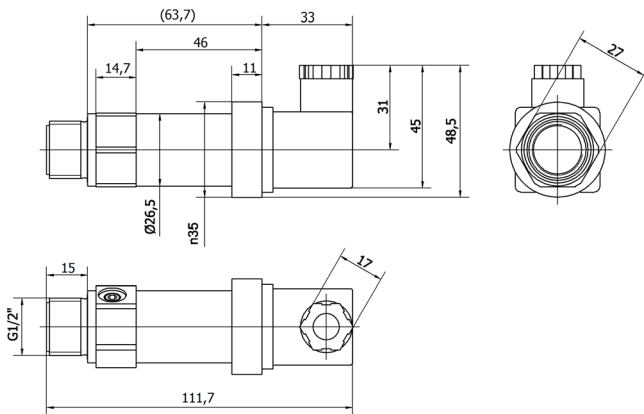
Electronic version	Yes
End value measuring range, pressure	40000000 Pa
Initial value of measuring range, pressure	0 Pa
IO-Link compatible	No
Measurement method	Relative
Measuring range pressure (MAX)	400 bar
Number of pins	2

**ELECTRICAL DATA**

Operating voltage	8 V ... 32 V
Rated operating voltage U <sub>e</sub> at DC	8 V ... 32 V
Relative measurement accuracy	0.5 %
Response time	10 ms
Reverse polarity protection	Yes
Short-circuit-proof	Yes
Suitable as 2-point control	No
Suitable as limiter	No
Suitable as monitor	No
Temperature drift	0.75 %
Type of analog output	4 mA ... 20 mA
Type of electrical connection	Valve connector type A
Voltage type	DC
With manual on/off switch	No

**OTHER DATA**

Compatible with foodstuff	Yes
For hydraulic applications	Yes
Measuring display	Relative

**DIMENSIONAL DRAWING****INSTALLATION**

Mounting / Installation may only be carried out by a qualified electrician!

**DISPOSAL****SAFETY WARNINGS**

Before initial operation, please make sure to follow all safety instructions that may be provided in the product information!

