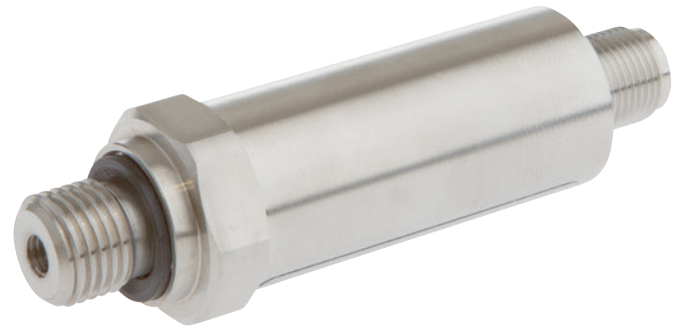


**DT98E170****PRESSURE SENSORS • CONNECTION G1/4" OUTSIDE**

Pressure sensors are suitable for measuring different media with high accuracy. They are available with switching output and/or analog output. Using PC software, the measured values can be recorded depending on the device type. These sensors can be used in all areas of e.g. pneumatic and hydraulic applications.

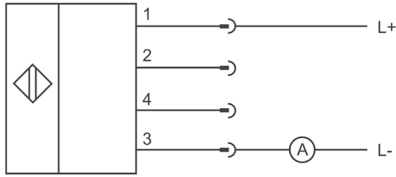
**MECHANICAL DATA**

Bursting pressure	6 bar
Housing material	Stainless steel 1.4404
Max. operating pressure	200 hPa
Medium temperature	-40 °C ... 120 °C
Nominal pressure	0.2 bar
Pressure transmitter	Yes
Type of pressure connection	G1/4 inch A

**ELECTRICAL DATA**

End value measuring range, pressure	20000 Pa
Initial value of measuring range, pressure	-20000 Pa
IO-Link compatible	No
Measuring range pressure	-0.2 bar ... 0.2 bar
Operating voltage	8 V ... 30 V
Rated operating voltage U <sub>e</sub> at DC	8 V ... 30 V
Relative measurement accuracy	0.5 %
Type of analog output	4 mA ... 20 mA
Voltage type	DC

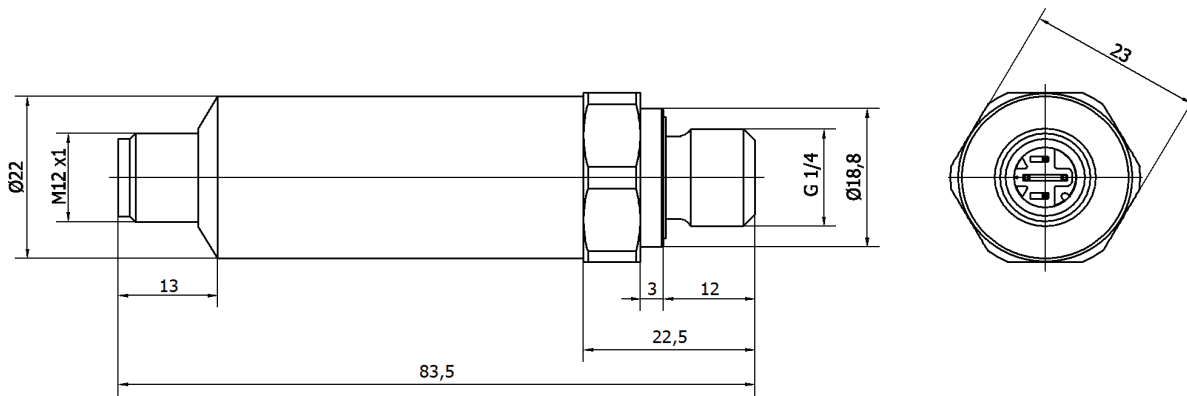
**CONNECTION**



**Colors:** 1 = BN (brown), 2 = WH (white), 3 = BU (blue), 4 = BK (black)

**Functions:** 1 = L+, 2 = n.c., 3 = 4-20mA/L-, 4 = n.c.

**DIMENSIONAL DRAWING**



**INSTALLATION**



Mounting / Installation may only be carried out by a qualified electrician!

**DISPOSAL**



**SAFETY WARNINGS**

Before initial operation, please make sure to follow all safety instructions that may be provided in the product information!